





OPERATOR'S MANUAL



Cat. No.
M18 PORC

M18™ PACKOUT™ RADIO + CHARGER

 **WARNING**
 To reduce the risk of injury, user must read and understand operator's manual.

IMPORTANT SAFETY INSTRUCTIONS

CHARGER SAFETY

- 1) This appliance is not intended for use by persons (including children) with reduced physical, sensory or mental capabilities, or lack of experience and knowledge, unless they have been given supervision or instruction concerning use of the appliance by a person responsible for their safety.
- 2) Children should be supervised to ensure that they do not play with the appliance.
- 3) Do not recharge 'primary batteries' (non-rechargeable batteries)
- 4) **SAVE THESE INSTRUCTIONS - THIS OPERATOR'S MANUAL CONTAINS IMPORTANT SAFETY AND OPERATING INSTRUCTIONS FOR MILWAUKEE® LI-ION M18™ RADIO + CHARGER.**
- 5) **BEFORE USING, READ THIS OPERATOR'S MANUAL, YOUR BATTERY PACK OPERATOR'S MANUAL, AND ALL LABELS ON THE BATTERY PACK AND RADIO + CHARGER.**
- 6) **CAUTION - TO REDUCE THE RISK OF INJURY, CHARGE MILWAUKEE® LI-ION PACKS ONLY IN THEIR MILWAUKEE® LI-ION CHARGER.** Other types of chargers may cause personal injury or damage. Battery pack and charger are not compatible with V™-technology or NiCd systems. Do not wire a battery pack to a power supply plug or car cigarette lighter. Battery packs will be permanently disabled or damaged.
- 7) **AVOID DANGEROUS ENVIRONMENTS.** Do not charge battery pack in rain, snow, damp or wet locations. Do not use battery pack or charger in the presence of explosive atmospheres (gaseous fumes, dust or flammable materials) because sparks may be generated when inserting or removing battery pack, possibly causing fire.
- 8) **CHARGE IN A WELL VENTILATED AREA.** Do not block charger vents. Keep them clear to allow proper ventilation. Do not allow smoking or open flames near a charging battery pack. Vented gases may explode.
- 9) **MAINTAIN CHARGER CORD.** When unplugging charger, pull plug rather than cord to reduce the risk of damage to the electrical plug and cord. Never carry charger by its cord. Keep cord from heat, oil and sharp edges. Make sure cord will not be stepped on, tripped over or subjected to damage or stress. Do not use charger with damaged cord or plug. Have a damaged charger replaced immediately.
- 10) **DO NOT SHORT CIRCUIT.** A short circuited battery pack may cause fire, personal injury, and product damage. A battery pack will short circuit if a metal object makes a connection between the positive and negative contacts on the battery pack. Do not place a battery pack near anything that may cause a short circuit, such as coins, keys or nails in your pocket.
- 11) **DO NOT ALLOW FLUIDS TO FLOW INTO BATTERY PACK.** Corrosive or conductive fluids, such as seawater, certain industrial chemicals, and bleach or bleach containing products, etc., can cause a short circuit.
- 12) **DO NOT USE AN EXTENSION CORD UNLESS IT IS ABSOLUTELY NECESSARY.** Using the wrong, damaged or improperly wired extension cord could

result in the risk of fire and electrical shock. Make sure that the extension cord is in good electrical condition.

- 13) **USE ONLY RECOMMENDED ATTACHMENTS.** Use of an attachment not recommended or sold by the battery charger or battery pack manufacturer may result in a risk of fire, electric shock or personal injury.
- 14) **UNPLUG CHARGER** when not in use. Remove battery packs from unplugged chargers.
- 15) **TO REDUCE THE RISK OF ELECTRIC SHOCK,** always unplug charger before cleaning or maintenance. Use a Residual Current Device (RCD) to reduce shock hazards.
- 16) **STORE YOUR BATTERY PACK AND CHARGER** in a cool, dry place. Do not store battery pack where temperatures may exceed 50°C (120°F) such as in direct sunlight, a vehicle or metal building during the summer.
- 17) Disposal of a battery into fire or a hot oven, or mechanically crushing or cutting of a battery, that can result in an explosion.
- 18) Leaving a battery in an extremely high temperature surrounding environment that can result in an explosion or the leakage of flammable liquid or gas.
- 19) A battery subjected to extremely low air pressure that may result in an explosion or the leakage of flammable liquid or gas.

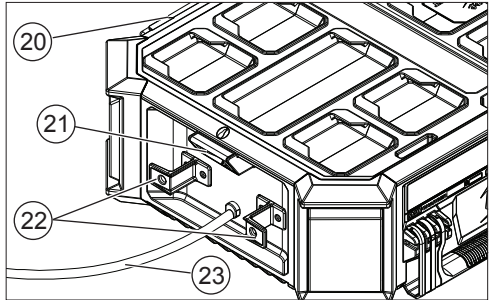
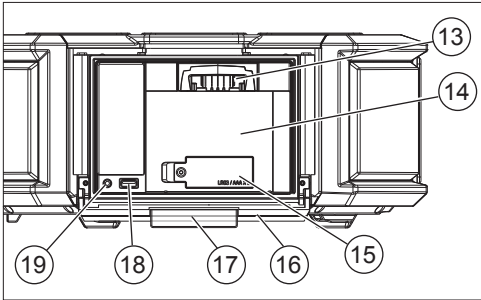
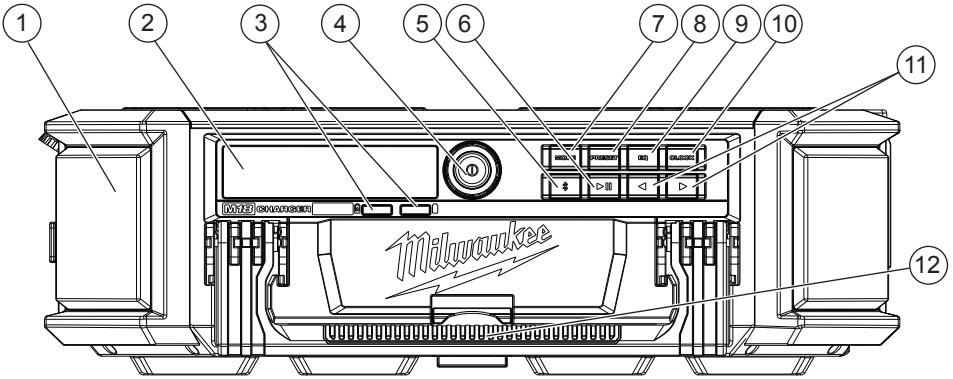
RADIO SAFETY

⚠WARNING

- 1) Read these instructions.
- 2) Keep these instructions.
- 3) Heed all warnings.
- 4) Follow all instructions.
- 5) Do not use this apparatus near water.
- 6) Clean only with dry cloth.
- 7) Do not block any ventilation openings. Install in accordance with the manufacturer's instructions.
- 8) Do not install near any heat sources such as radiators, heat registers, stoves, or other apparatus (including amplifiers that produce heat.)
- 9) Do not defeat the safety purpose of the polarised or grounding-type plug. A polarised plug has two blades with one wider than the other. A grounding type plug has two blades and a third grounding prong. The wide blade or the third prong are provided for your safety. If the provided plug does not fit into your outlet, consult an electrician for replacement of the obsolete outlet.
- 10) Protect the power cord from being walked on or pinched particularly at plugs, convenience receptacles, and the point where they exit from the apparatus.
- 11) Only use attachments/accessories specified by the manufacturer.
- 12) Use only with the cart, stand, tripod, bracket, or table specified by the manufacturer, or sold with the apparatus. When a cart is used, use caution when moving the cart/apparatus combination to avoid injury from tip-over.
- 13) Unplug this apparatus during lightning storms or when unused for long periods of time.

- 14) Refer all servicing to qualified service personnel. Servicing is required when the apparatus has been damaged in any way, such as power supply cord or plug is damaged, liquid has been spilled or objects have fallen into the apparatus, the apparatus has been exposed to rain or moisture, does not operate normally, has been dropped, or is missing battery doors.
- 15) **⚠WARNING** To reduce the risk of fire or electric shock, do not expose this apparatus to rain or moisture. Do not place open flames or candles near or on the radio.
- 16) Only plug power supply into readily accessible outlet to allow the appliance to be unplugged quickly.
- 17) Only operate this apparatus in a well-ventilated area.
- 18) A battery operated radio with integral batteries or a separate battery pack must be recharged only with the specified charger for the battery. A charger that may be suitable for one type of battery may create a risk of fire when used with another battery.
- 19) Use battery operated radio only with specifically designated battery packs. Use of any other batteries may create a risk of fire.
- 20) When battery pack is not in use, keep it away from other metal objects like: paper clips, coins, keys, nails, screws, or other small metal objects that can make a connection from one terminal to another. Shorting the battery terminals together may cause sparks, burns, or a fire.
- 21) Avoid body contact with grounded surfaces such as pipes, radiators, ranges and refrigerators. There is an increased risk of electric shock if your body is grounded.
- 22) Do not use any adaptor plugs.
- 23) Never disassemble the radio or try to do any rewiring on the radio's electrical system.
- 24) Do not expose this apparatus to dripping and splashing, or place objects filled with liquids on this unit.
- 25) Maintain labels and nameplates. These carry important information. If unreadable or missing, contact a MILWAUKEE® service facility for a replacement.
- 26) This radio + charger is designed to be powered by 230-240V AC. The radio can also be powered using a MILWAUKEE® M18™ Li-Ion battery pack. Radio + charger must be plugged into an appropriate outlet. Do not attempt use with any other voltage or power supply.

FUNCTIONAL DESCRIPTION



1. Speakers (4 corners & back)

2. Display

3. Charger indicators*

4. On/Off/Volume control

5. Bluetooth button

6. Play/Pause button

7. MODE button

8. PRESET button

9. EQ button

10. CLOCK button

11. Seek/adjust buttons

12. Handle

13. Charging contacts

14. Battery bay

15. Backup-battery compartment

16. Battery bay/auxiliary compartment cover


17. Battery bay/auxiliary compartment latch


18. USB power outlet


19. Stereo AUX jack


* Charger Indicators

When a battery pack is inserted into the charger, the LEDs will indicate the following:

 Continuous red: Charging

 Continuous green light: Charging is complete

 Flashing red: Battery is too hot/cold
Charging will begin when battery reaches correct charging temperature

 Flashing red/green: Damaged or faulty battery pack

20. Antenna

21. Bottle opener

22. Cord wrap

23. Cord

SYMBOLGY


 Volts

 Direct Current

 Amps

 Alternating Current

 Hertz

 Double Insulated. Tool does not require grounding.



Presence of important operating instructions.




CAUTION Risk of electric shock.



Regulatory Compliance Mark (RCM). This product meets applicable regulatory requirements.



Please read the instructions carefully before starting the machine.

 Do not dispose of electric tools together with household waste material. Electric tools and electronic equipment that have reached the end of their life must be collected separately and returned to an environmentally compatible recycling facility.

ADDITIONAL BATTERY SAFETY RULES

⚠WARNING To reduce the risk of fire, personal injury, and product damage due to a short circuit, never immerse your tool, battery pack or charger in fluid or allow a fluid to flow inside them. Corrosive or conductive fluids, such as seawater, certain industrial chemicals, and bleach or bleach-containing products, etc., can cause a short circuit.

⚠WARNING Do not charge non-rechargeable batteries.

SPECIFICATIONS

Cat. No.	M18 PORC
Input Volts.....	230-240V AC
Input Amps.....	0.9A AC
Output Volts.....	18V DC
Output Amps.....	3.5A DC
Battery Type.....	M18™
Charger Type.....	M18™
Recommended Operating Temperature *	
Battery and Charger ..	5°C to 40°C (40°F to 104°F)
Battery and Tool.....	-10°C to 40°C (14°F to 104°F)

RADIO ASSEMBLY

⚠WARNING Recharge only with the charger specified for the battery. For specific charging instructions, read the operator's manual supplied with your charger and battery.


Power

The *MILWAUKEE*® M18™ Radio + Charger can be powered by *MILWAUKEE*® M18™ Li-Ion battery packs or a standard wall outlet. When plugged into a wall outlet, the battery bay will charge *MILWAUKEE*® M18™ Li-Ion battery packs (see Charger Operation).

Inserting/Removing Battery Pack

1. Open the battery bay cover.
2. To **insert** the battery pack, slide it into the battery bay.
3. To **remove** the battery pack, pull the battery pack out of the bay.
4. Always close the battery bay cover when the bay is not in use.

Low Battery Indicator

When the radio is powered by a battery pack and its charge falls below 10%, the low battery indicator  is displayed.

Battery Pack Protection

To protect the life of the battery pack, the radio will shut off when the battery's charge becomes too low. If this happens, plug radio + charger into a 230-240V outlet and charge the battery pack according to Charger Operation.

Installing an Auxiliary Device

Open the auxiliary compartment to connect an MP3 player, CD player, or other audio device using the stereo auxiliary jack. Small devices can be stored in the compartment during use.

USB Power Outlet

This outlet can be used to charge a cell phone, power an MP3 player or any other device that uses less than 2.1A of DC electrical current.

NOTE: Any device that uses more than 2.1 A of DC electrical current will trip a self-resetting overload and disable the output.

RADIO OPERATION

⚠WARNING Always remove battery pack before changing or removing accessories. Only use accessories specifically recommended for this radio. Others may be hazardous. To reduce the risk of fire or electric shock, do not expose this radio to rain or moisture.

① Turning On/Off and Controlling Volume

Plug the cord into an appropriate AC outlet or install a battery pack.

Press and hold the On/Off/Volume control button ① until the radio turns on or off. The radio station (frequency) is displayed. To display the time, press the CLOCK button. Volume is restored to the last setting. **NOTE:** When the Radio + Charger is running on battery power, the display will dim after 5 minutes to reduce power use.

Rotate the On/Off/Volume control button ① to increase or decrease the volume.

Setting the Clock

1. Press and hold the CLOCK button until the hour begins to flash.
2. Use the ◀ and ▶ buttons to change the hour.
3. Press the CLOCK button again. The minutes will begin to flash. Use the ◀ and ▶ buttons to change the minutes.
4. Press the CLOCK button again to save.

EQ Adjustment

To manually adjust the Bass/Treble sound, press the EQ button. Set the bass sound by rotating the On/Off/Volume control button ①. Press the EQ button again to set the treble sound by rotating the On/Off/Volume control button ①.

Selecting Band

Push the MODE button to select Bluetooth, FM, AM, or AUX.

Tuning and Seeking

Press the ◀ and ▶ buttons to move up and down the band. Press, hold, and release the ◀ and ▶ buttons to SEEK through the band. When a station is found, the SEEK will stop.

PRESET Stations

To **set** the PRESET stations:

1. Tune to desired station.
2. Press and hold the PRESET button until the PRESET indicator on the display begins to flash.
3. Use the ◀ and ▶ buttons to select the PRESET location for the station. Nine locations (1-9) are available for both AM and FM.
4. Press the PRESET button to save the location.

To **tune** to a PRESET station:

Press and release the PRESET button to step through the PRESET stations.

Using the Stereo AUX Jack

1. Open the Auxiliary Compartment
2. Plug the auxiliary device into the Stereo AUX jack.
3. Use the MODE button to select AUX.
4. Start the auxiliary device.

✂ Using Bluetooth

To enter the Bluetooth mode, press the ✂ button, or press the MODE button to cycle through to Bluetooth.

Pairing

- If no Bluetooth device is connected, Bluetooth pairing will begin automatically and the ✂ icon will flash on the display.
- The radio will continue to search for a signal for 3 minutes.
- To manually pair a device, press and hold bluetooth button until the ✂ begins to fast flash.
- While the ✂ is flashing, select "M18 PACKOUT RADIO" on the Bluetooth capable device.
- Once the device has successfully paired with the radio, the ✂ will be shown on the radio's display.

Connecting

To enter the Bluetooth mode, press the ✂ button, or press the MODE button to cycle through to Bluetooth. When the radio locates a paired Bluetooth device, the ✂ will stop flashing.

If connection is lost between the radio and the Bluetooth device, the radio will try to reconnect automatically for up to 3 minutes.

Controlling

When streaming music through to the radio via a Bluetooth device, use the ►|| button to start and pause the music. Use the ◀ and ▶ to move through the tracks.

CHARGER OPERATION

⚠ WARNING Charge only MILWAUKEE® M18™ Lithium-Ion battery packs in the MILWAUKEE® Li-Ion Battery Charger. Other types of batteries may cause personal injury and damage. Battery pack and charger are not compatible with V™-technology or NiCd systems.

When to Charge MILWAUKEE® Li-Ion Battery Packs

Remove the battery pack from the tool for charging when convenient for you and your job. MILWAUKEE® batteries do not develop a "memory" when charged after only a partial discharge. It is not necessary to run down the battery pack before placing it on the charger.

- Use the Fuel Gauge to determine when to charge your MILWAUKEE® Li-Ion battery pack.
- You can "Top-Off" your battery pack's charge before starting a big job or long day of use.

How to Charge the Battery Pack

Plug the Radio + Charger into a 230-240V outlet. The battery packs will not charge if the Radio + Charger is not plugged in. Place the battery pack onto the bay by sliding the pack on from the top of the bay. The red light will turn on, either flashing (pack is too hot or cold) or continuous (pack is charging).

- A fully discharged battery pack with an internal temperature in the normal range will charge in about 30 to 185 minutes, depending on the capacity of the battery pack.
- Heavily cycled batteries may take longer to charge completely.
- The Fuel Gauge lights on the battery pack are displayed as the pack is being charged, indicating how fully charged the pack is.

- After charging is complete, the continuous green light will turn on and the fuel gauge will turn off.
- The charger will keep the battery pack fully charged if it is left on the charger.
- If the light indicator flashes red and green, check that the battery pack is fully seated into the bay. Remove the pack and reinsert. If the problem persists, contact a MILWAUKEE® service facility.
- If the light indicator does not come on, check that the battery pack is fully seated into the bay. Remove the pack and reinsert. If the light indicator still does not come on, contact a MILWAUKEE® service facility.

Charging a Hot or Cold Battery Pack

The Red Flashing Indicator light on the charger indicates that the battery pack temperature is outside the charging range. Once the battery pack is within the acceptable range, normal charging will take place and the red light will be continuous. Hot or cold batteries may take longer to charge.

Li-Ion Charging Status

Battery Pack Temperature	Red Charger Indicator Light	Charging Status
Too Hot	Fast Flashing	Not charging
Normal Range	Continuous	Normal charging
Too Cold	Fast Flashing	Not charging

MAINTENANCE

⚠ WARNING To reduce the risk of injury, always unplug the charger and remove the battery pack from the charger or tool before performing any maintenance. Never disassemble the tool, battery pack or charger. Contact a MILWAUKEE® service facility for ALL repairs.

Maintenance and Storage

Store your charger in a cool, dry place. As a general practice, it is best to unplug battery chargers and remove battery packs when not in use. No battery pack damage will occur, however, if the charger and battery pack are left plugged in.

Changing Back-up Batteries

⚠ WARNING Batteries may leak chemicals or may explode if used incorrectly. The following care should be taken to prevent such an incident:

- Make sure the positive (+) and negative (-) battery terminals are positioned correctly.
- Do not mix new and old batteries together, or mix different types of batteries.

If chemicals from the batteries come in contact with your skin, wash them off immediately with water. If chemicals leak onto the radio, clean the radio completely.

Choking hazard. Keep batteries away from children.

To hold station presets and clock time when the battery pack is removed and the radio is unplugged, (2) AAA batteries are required.

1. Remove battery pack and unplug radio.
2. Remove the screw and battery cover.
3. Insert two (2) AAA batteries according to matching positive (+) and negative (-) marks.
4. Replace the battery cover and screw.
5. Always dispose of used batteries properly.

Cleaning

Clean out dust and debris from charger vents and electrical contacts by blowing with compressed air. Use only mild soap and a damp cloth to clean the battery pack and charger, keeping away from all electrical contacts. Certain cleaning agents and solvents are harmful to plastics and other insulated parts. Some of these include gasoline, turpentine, lacquer thinner, paint thinner, chlorinated cleaning solvents, ammonia and household detergents containing ammonia. Never use flammable or combustible solvents around battery packs, charger, or tools.

Repairs

For repairs, return the tool, battery pack and charger to the nearest service center.

If the supply cord of this appliance is damaged, it must only be replaced by a repair shop appointed by the manufacturer, because special purpose tools are required.

ACCESSORIES

▲WARNING Use only recommended accessories. Others may be hazardous.

For a complete listing of accessories, go online to milwaukeeetool.com.au / milwaukeeetool.co.nz or contact a distributor.

WARRANTY - AUSTRALIA and NEW ZEALAND

Please refer to Australian and New Zealand warranty supplied with tool. This warranty applies only to product sold in Australia and New Zealand.

SERVICE - AUSTRALIA and NEW ZEALAND

MILWAUKEE® prides itself in producing a premium quality product that is Nothing But Heavy Duty™. Your satisfaction with our products is very important to us! If you encounter any problems with the operation of this tool, please contact your authorised **MILWAUKEE®** dealer.

For a list of **MILWAUKEE®** dealers, guarantee or service agents please contact **MILWAUKEE®** Customer Service or visit our website.

(Australia Toll Free Telephone Number 1300 645 928)

(New Zealand Toll Free Telephone Number 0800 645 928)

or visit milwaukeetool.com.au/milwaukeetool.co.nz.

Milwaukee Electric Tool Corporation

13135 West Lisbon Road, Brookfield, Wisconsin U.S.A. 53005

Milwaukee Tool (Australia)

21 Kelleetts Road, Rowville, VIC 3178

Melbourne, Australia

Milwaukee Tool (New Zealand)

274 Church Street, Penrose,

Auckland, 1061, New Zealand

DESIGNED BY MILWAUKEE ELECTRIC TOOL CORP.

PROFESSIONALLY MADE IN CHINA

PRINTED IN CHINA

All trade marks are owned by Techtronic Cordless GP unless otherwise stated.

© 2020 Milwaukee Electric Tool Corporation.