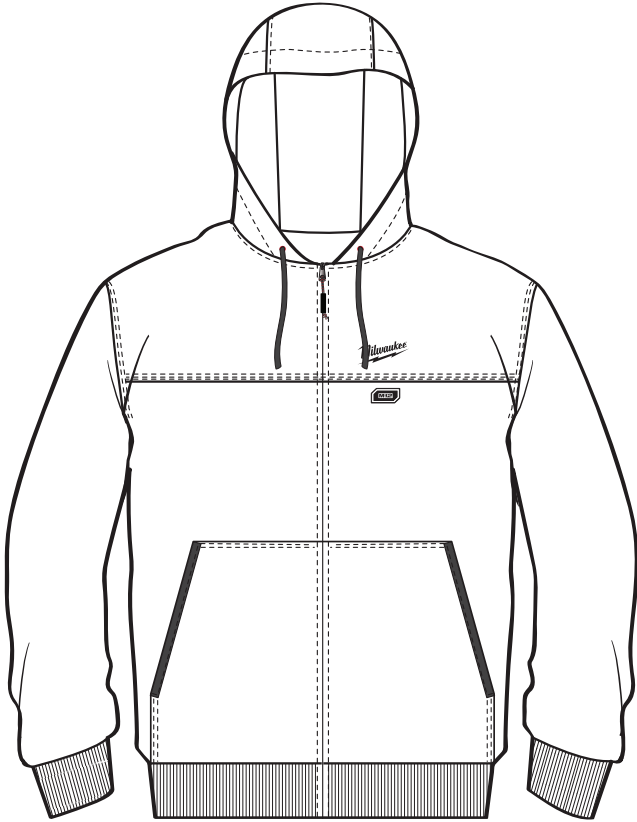




OPERATOR'S MANUAL



Cat. No.

M12 HH BLACK9

M12 HH GREY9

M12 HH BLUEX

M12™ HEATED HOODIE AND M12™ BATTERY HOLDER



WARNING



To reduce the risk of injury, user must read and understand operator's manual.

GENERAL PRODUCT SAFETY WARNINGS

WARNING Read all safety warnings and instructions. Failure to follow all instructions listed below may result in electric shock, fire and/or serious injury. Save all warnings and instructions for future reference.

WORK AREA SAFETY

• Keep work area clean and well lit. Cluttered or dark areas invite accidents.

ELECTRICAL SAFETY

• Do not expose heated hoodie to rain or wet conditions. Water will increase the risk of electric shock.
• Do not abuse the power cable. Never use the cord for carrying, pulling or unplugging the heated hoodie. Keep cord away from heat, oil, sharp edges or moving parts.

PERSONAL SAFETY

• Stay alert, watch what you are doing and use common sense when using the heated hoodie. Do not use while you are tired or under the influence of drugs, alcohol or medication. A moment of inattention may result in serious personal injury.

POWER TOOL USE AND CARE

• Do not use the heated hoodie if the power button does not turn it on and off. Any heated hoodie that cannot be controlled with the power button is dangerous and must be repaired.
• Disconnect the battery pack from the heated hoodie before storing. Such preventive safety measures reduce the risk of starting the heated hoodie accidentally.
• Store out of the reach of children and do not allow persons unfamiliar with these instructions to operate the heated hoodie. Heated hoodie can be dangerous in the hands of untrained users.
• Maintain heated hoodie. Check for breakage of parts and any other condition that may affect the heated hoodie's operation. If damaged, have the heated hoodie repaired before use.
• Use the heated hoodie in accordance with these instructions, taking into account the working conditions and the work to be performed. Use of the heated hoodie for operations different from those intended could result in a hazardous situation.

BATTERY TOOL USE AND CARE

• Recharge only with the charger specified by the manufacturer. A charger that is suitable for one type of battery pack may create a risk of fire when used with another battery pack.
• Use heated hoodie only with specifically designated battery packs. Use of any other battery packs may create a risk of injury and fire.
• When battery pack is not in use, keep it away from other metal objects like paper clips, coins, keys, nails, screws, or other small metal objects that can make a connection from one terminal to another. Shorting the battery terminals together may cause burns or a fire.
• Under abusive conditions, liquid may be ejected from the battery; avoid contact. If contact accidentally occurs, flush with water. If liquid contacts eyes, additionally seek medical help. Liquid ejected from the battery may cause irritation or burns.

SERVICE

• Have your heated hoodie serviced by a qualified repair person using only identical replacement

parts. This will ensure that the safety of the heated hoodie is maintained.

SPECIFIC SAFETY RULES FOR HEATED HOODIE

Read instructions carefully.

Use:

- Do not use this heated hoodie with an infant, child, a helpless person, or anyone insensitive to heat, such as a person with poor blood circulation.
- If you have a medical condition making you sensitive to overheating, or you use any personal medical devices, consult the device manufacturer and/or your physician to determine if use of this product is appropriate.
- Never use if inner liner is wet.
- Heating elements are not recommended to touch bare skin.
- Shut off power immediately if discomfort occurs.
- Do not allow the cords to be pinched.
- If improper operation of this heated hoodie is observed, discontinue its use immediately and contact a MILWAUKEE® service facility for repair.
- Do not use pins. They may damage the electric wiring.

Care:

- Before washing, disconnect and remove battery pack and battery holder from battery holder pocket. Push the power cord completely into the battery holder pocket and zip pocket closed.
- Follow Care Instructions on hoodie tags. Machine wash, Gentle Cycle in warm water. Tumble Dry Low Heat.
- Do not bleach.
- Do not iron.
- Do not wring or twist.
- Do not dry clean. Do not use dry-cleaning fluid on this heated hoodie. Do not bleach. Cleaning solvents may have a deteriorating effect on the insulation of the heating element.
- Maintain labels and nameplates. These carry important information. If unreadable or missing, contact a MILWAUKEE® service facility for a replacement.

SYMBOLGY



Volts



Direct Current



Machine wash, gentle cycle in warm water



Do not bleach



Do not wring or twist



Tumble dry, low heat



Do not iron



Do not dry-clean



Regulatory Compliance Mark (RCM). This product meets applicable regulatory requirements.

ADDITIONAL BATTERY SAFETY RULES

⚠WARNING To reduce the risk of fire, personal injury, and product damage due to a short circuit, never immerse your tool, battery pack or charger in fluid or allow a fluid to flow inside them. Corrosive or conductive fluids, such as seawater, certain industrial chemicals, and bleach or bleach-containing products, etc., can cause a short circuit.

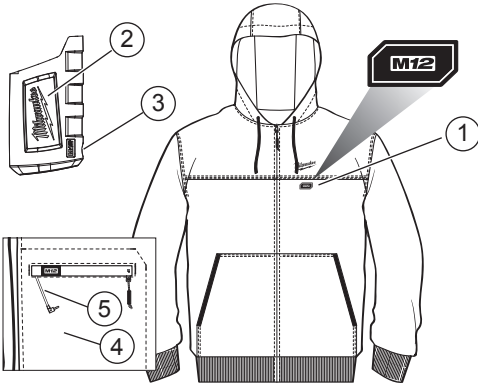
⚠WARNING Do not charge non-rechargeable batteries.

SPECIFICATIONS

Cat. No. **M12 HH BLACK9**
M12 HH GREY9
M12 HH BLUEX

Volts..... 12V DC
Battery Type..... M12™
Charger Type..... M12™

FUNCTIONAL DESCRIPTION



1. Power button
High: Red LED
Medium: White LED
Low: Blue LED
2. Battery holder
3. Power cable port
4. Battery holder pocket
5. Power cable

ASSEMBLY

⚠WARNING Recharge only with the charger specified for the battery. For specific charging instructions, read the operator's manual supplied with your charger and battery.

Inserting/Removing the Battery

To **insert** the battery, slide the pack into the body of the battery holder. Make sure it latches securely into place.

Insert the power cable (from inside the battery holder pocket) into the power cable port on the battery holder. Place the battery holder into the pocket and close pocket with zip.

To **remove** the battery, push in the release buttons and pull the battery pack out of the holder.

OPERATION

The power button is located on the upper left side of the hoodie. The button is on the outside of the hoodie on Cat. No.

- M12 HH BLACK9
- M12 HH GREY9
- M12 HH BLUEX

To **turn on**, press and hold the heated hoodie power button (1 to 2 seconds). The hoodie will turn on to High and the red LED will be illuminated.

Temperature setting can be **adjusted** at any time by pressing the heated hoodie power button. Each press will cycle through the heated hoodie's temperature settings.

To **turn off** the heated hoodie, press and hold the heated hoodie power button until the LED turns off (1 to 2 seconds).

If the heated hoodie turns off unexpectedly, check connections and charge the battery pack.

CARE

⚠WARNING To reduce the risk of injury, always unplug the charger and remove the battery pack and battery holder from the heated hoodie before performing any maintenance. Never disassemble the heated hoodie, battery pack or charger. Contact a **MILWAUKEE®** service facility for ALL repairs.

If the heated hoodie does not start or operate properly with a fully charged battery pack, clean the contacts on the battery pack. If the heated hoodie still does not work properly, return the heated hoodie, charger and battery pack, to a **MILWAUKEE®** service facility for repairs.

⚠WARNING To reduce the risk of personal injury and damage, disconnect and remove battery pack and battery holder from battery holder pocket before washing. Never immerse your battery holder, battery pack, or charger in liquid or allow a liquid to flow inside them.

To clean the heated hoodie:

1. Remove battery pack and battery holder.
2. Push the power cord completely into the battery holder pocket and zip pocket closed.
3. Machine wash, Gentle Cycle in warm water. Do not use bleach. Do not dry clean. Do not wring or twist.
4. Tumble Dry on Low Heat. Do not iron.

ACCESSORIES

⚠WARNING Use only recommended accessories. Others may be hazardous.

For a complete listing of accessories, go online to milwaukeeool.com.au/ milwaukeeool.co.nz or contact a distributor.

WARRANTY - AUSTRALIA and NEW ZEALAND

Please refer to Australian and New Zealand warranty supplied with tool. This warranty applies only to product sold by authorised dealers in Australia and New Zealand.

SERVICE - AUSTRALIA and NEW ZEALAND

MILWAUKEE® prides itself in producing a premium quality product that is Nothing But Heavy Duty™. Your satisfaction with our products is very important to us! If you encounter any problems with the operation of this tool, please contact your authorised **MILWAUKEE®** dealer.

For a list of **MILWAUKEE®** dealers, guarantee or service agents please contact **MILWAUKEE®** Customer Service or visit our website.

(Australia Toll Free Telephone Number 1300 645 928)

(New Zealand Toll Free Telephone Number 0800 645 928)

or visit milwaukeetool.com.au/milwaukeetool.co.nz.

Milwaukee Electric Tool Corporation

13135 West Lisbon Road, Brookfield, Wisconsin U.S.A. 53005

Milwaukee Tool (Australia)

21 Kelleetts Road, Rowville, VIC 3178
Melbourne, Australia

Milwaukee Tool (New Zealand)

274 Church Street, Penrose,
Auckland, 1061, New Zealand

DESIGNED BY MILWAUKEE ELECTRIC TOOL CORP.
PROFESSIONALLY MADE IN CHINA
PRINTED IN CHINA