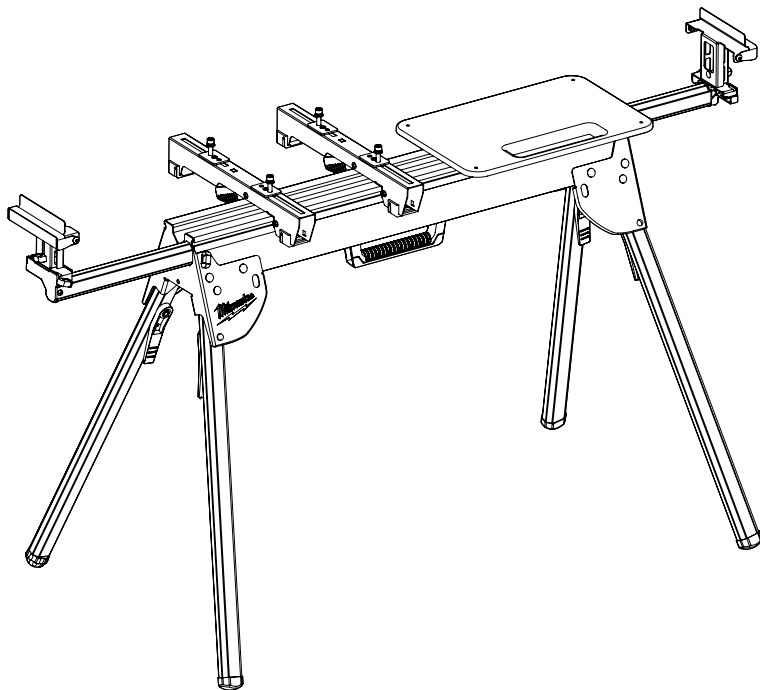




OPERATOR'S MANUAL



Cat. No.
MSL2000

FOLDING MITRE SAW STAND

 **WARNING**

To reduce the risk of injury, user must read and understand operator's manual.

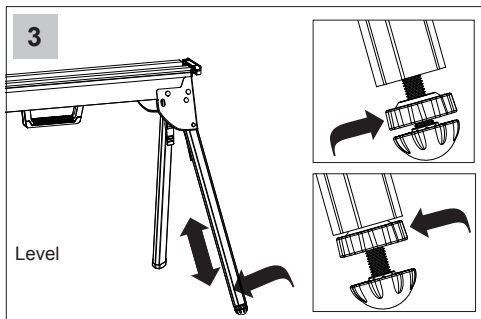
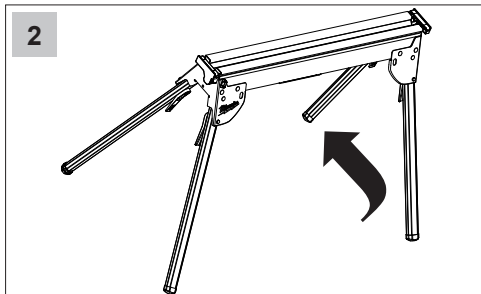
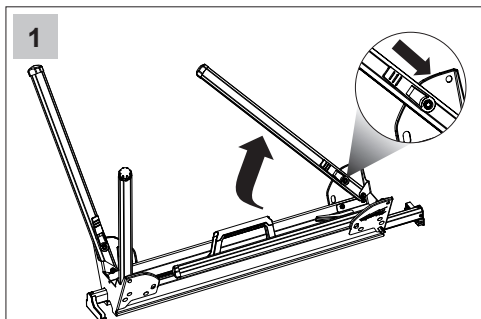
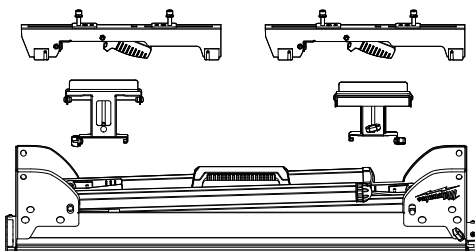


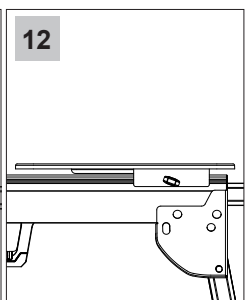
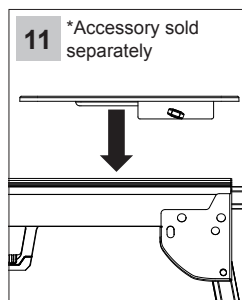
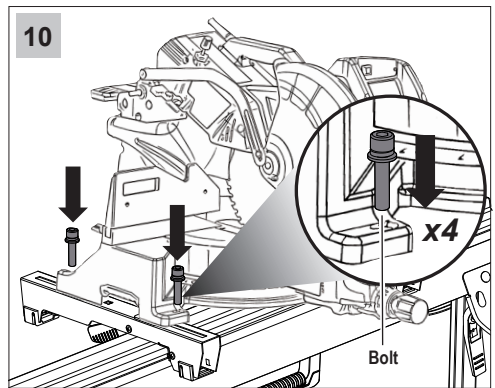
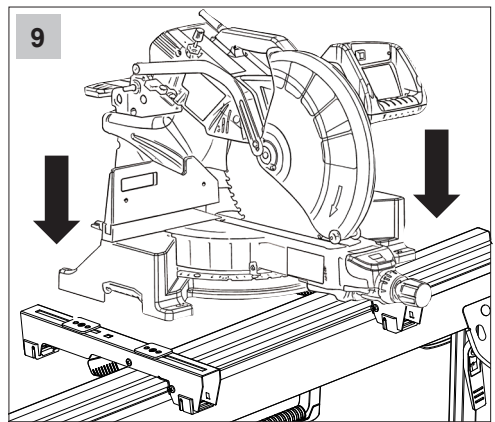
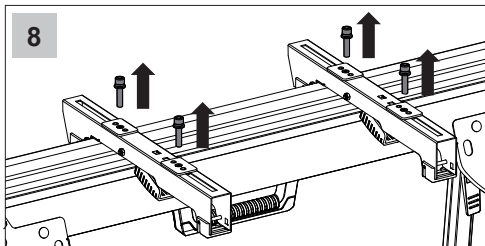
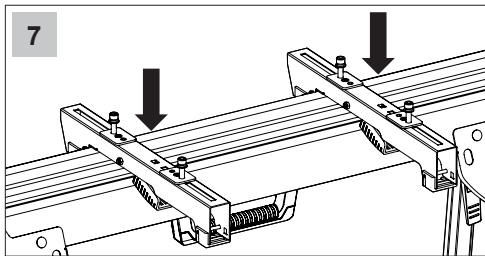
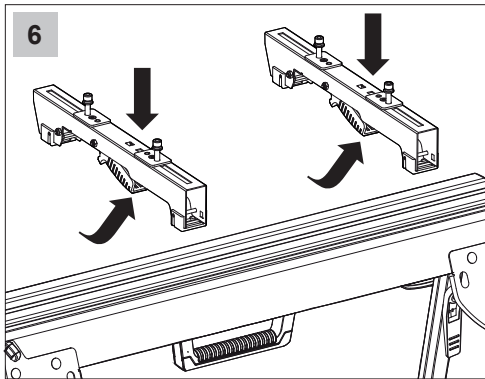
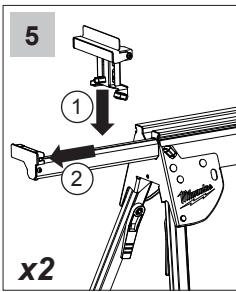
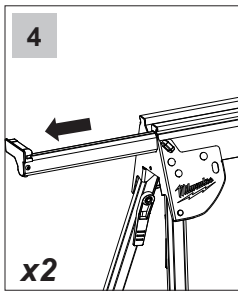
SPECIFIC SAFETY RULES MITRE SAW STAND

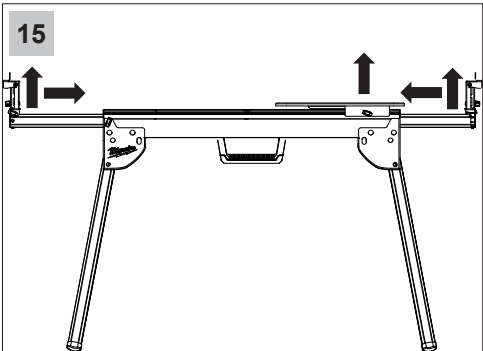
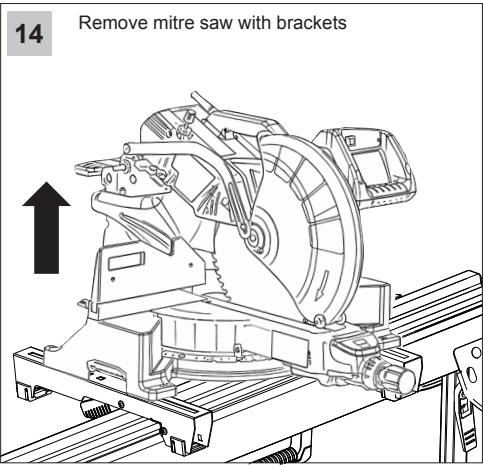
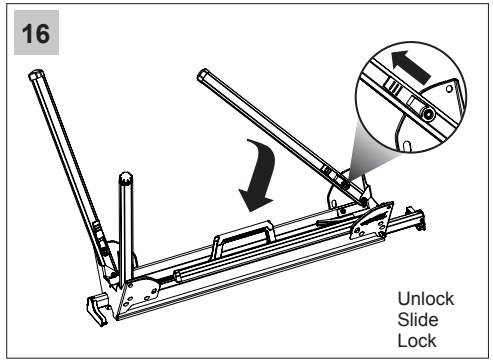
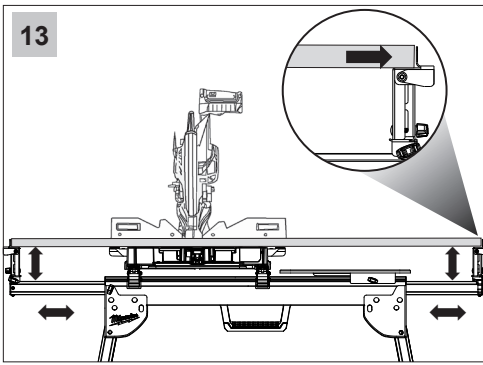
WARNING Read and understand all instructions. Failure to follow all instructions listed below, may result in electric shock, fire and/or serious personal injury. Save these instructions.

- **Do not use the mitre saw stand as a scaffold.** Injury may result if the mitre saw stand is used as a scaffold or platform for workers.
- **Avoid dangerous environments.** Use your tool stand on flat, level, dry, and hard surfaces only.
- **Keep work area clean and well lit.** Cluttered, dark work areas invite accidents.
- **The mitre saw stand weight limit is 227 kgs (500 lbs).** If more than 227 kgs (500 lbs) is placed on the mitre saw stand it may be damaged and may cause personal injury.
- **Maintain control.** Keep proper footing and balance at all times.
- **Maintain mitre saw stand carefully.** Keep mitre saw stand dry, clean and free from oil and grease. Follow instructions for changing accessories. Periodically inspect mitre saw stand for damage and wear.
- **Maintain labels.** These carry important information. If unreadable or missing, contact a **MILWAUKEE®** service facility for a replacement.
- **Keep bystanders away.** Children and bystanders should be kept at a safe distance from the work area to avoid distracting the operator.
- **Unplug tool or remove battery pack** when it is not in use, before changing accessories or performing recommended maintenance.
- To reduce the risk of injury, always wear eye protection.
- Fingers can be pinched between the legs and the underside of the mitre saw stand. To reduce the risk of injury, keep your fingers out of the areas where the legs will snap into place.
- **To reduce the risk of injury make sure that:**
 - The mitre saw is centered on the mounting clamps and securely attached to the mounting clamps.
 - The mounting clamps are securely attached to the top of the mitre saw stand.
 - Mitre saw stand is balanced and stable before use.
- **To reduce the risk of damage to the stand before storing and transporting:**
 - Remove work supports/table
 - Retract extension arms
 - Collapse legs

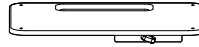
ASSEMBLY







ACCESSORIES



*Accessory sold separately

WARNING Use only recommended accessories. Others may be hazardous.

For a complete listing of accessories, go online to www.milwaukeetools.com.au/ www.milwaukeetools.co.nz or contact a distributor.

WARRANTY - AUSTRALIA and NEW ZEALAND

Please refer to Australian and New Zealand warranty supplied with tool. This warranty applies only to product sold in Australia and New Zealand.

SERVICE - AUSTRALIA and NEW ZEALAND

MILWAUKEE[®] prides itself in producing a premium quality product that is Nothing But Heavy Duty[®]. Your satisfaction with our products is very important to us! If you encounter any problems with the operation of this tool, please contact your authorised *MILWAUKEE*[®] dealer.

For a list of *MILWAUKEE*[®] dealers, guarantee or service agents please contact *MILWAUKEE*[®] Customer Service or visit our website.

(Australia Toll Free Telephone Number 1300 645 928)

(New Zealand Toll Free Telephone Number 0800 279 624)

or visit www.milwaukeetools.com.au / www.milwaukeetools.co.nz.

Milwaukee Electric Tool Corporation

13135 West Lisbon Road, Brookfield, Wisconsin U.S.A. 53005

Milwaukee Tool (Australia)

21 Kelletts Road, Rowville, VIC 3178
Melbourne, Australia

Milwaukee Tool (New Zealand)

2 Landing Drive, Mangere
Auckland, 2022, New Zealand

Designed by Milwaukee Electric Tool Corp.

Professionally Made in China for Milwaukee Tool (Australia) / Milwaukee Tool (New Zealand)

Printed in China