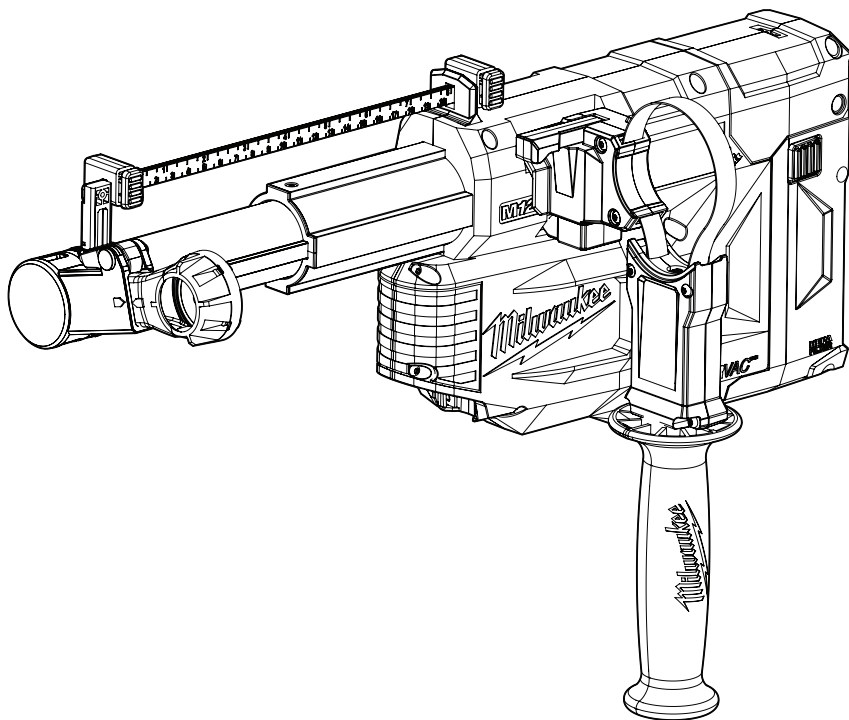





OPERATOR'S MANUAL



Cat. No.
M12 UDEL

M12™ HAMMERVAC™ UNIVERSAL DUST EXTRACTOR

WARNING

 To reduce the risk of injury, user must read and understand operator's manual.

IMPORTANT SAFETY INSTRUCTIONS

⚠WARNING WHEN USING AN ELECTRICAL DUST EXTRACTOR, BASIC PRECAUTIONS SHOULD ALWAYS BE FOLLOWED, INCLUDING THE FOLLOWING: READ ALL INSTRUCTIONS BEFORE USING DUST EXTRACTOR. FOR HOUSEHOLD OR COMMERCIAL USE. BEFORE USING THE DUST EXTRACTOR, READ THIS OPERATOR'S MANUAL, YOUR TOOL, BATTERY PACK AND CHARGER OPERATOR'S MANUALS, AND ALL LABELS ON THE DUST EXTRACTOR, BATTERY PACK, CHARGER AND TOOL.

WORK AREA SAFETY

- Keep work area clean and well lit. Cluttered or dark areas invite accidents.
- Dust extractors have motors and other parts that can produce sparks during normal use. Do not use within 10 metres of areas where explosive materials may be present (such as gasoline pumps and places where liquids like paint thinners, cleaners, solvents, etc. are stored).
- Do not use in the presence of explosive dust, liquids or vapours.
- Do not use where oxygen or anesthetics are used.
- Do not allow to be used as a toy. Close attention is necessary when used by or near children.
- Use extra care when using on stairs.

ELECTRICAL SAFETY

- Do not pick up wet material. Do not use water to settle dust.
- Do not handle battery pack or dust extractor with wet hands.

PERSONAL SAFETY

- STAY ALERT. Watch what you are doing and use common sense. Do not use dust extractor when you are tired, distracted or under the influence of drugs, alcohol or medication causing diminished control.
- The operation of a dust extractor can result in foreign objects being blown into eyes, which can result in eye damage. Always wear safety goggles or glasses with side shields marked to comply with AS/NZS 1337.1 when operating dust extractor.
- Wear a dust mask or use a suitable dust extraction solution when working in dusty situations. Dust particles can harm your lungs.
- Avoid accidental starting. Ensure the switch is in the off-position before inserting battery pack. Inserting battery pack in dust extractor that has the switch on invites accidents.
- Do not overreach. Keep proper footing and balance at all times. This enables better control of the dust extractor in unexpected situations.

- Keep hair, loose clothing, fingers, and all parts of body away from openings and moving parts.
- Use only as described in this manual. Use only manufacturer's recommended attachments.

USE AND CARE

- Do not use without dust box and/or filter in place.
- Do not use to pick up flammable or combustible liquids such as gasoline or use in areas where they may be present.
- Do not pick up anything that is burning or smoking such as cigarettes, matches, or hot ashes.
- Do not pick up soot, cement, plaster or drywall dust without filter in place. These are very fine particles that may affect the performance of the motor or be exhausted back into the air.
- This product is suitable for collection of silica dust when used in accordance with these instructions. To reduce the risk of health hazards from other vapours or dust, do not vacuum carcinogenic, toxic or hazardous materials such as asbestos, arsenic, barium, beryllium, lead, pesticides or other health endangered materials.
- ⚠WARNING** Some dust created by power sanding, sawing, grinding, drilling, and other construction activities contains chemicals known to cause cancer, birth defects or other reproductive harm. Some examples of these chemicals are:
 - lead from lead-based paint
 - crystalline silica from bricks and cement and other masonry products, and
 - arsenic and chromium from chemically-treated lumber.Your risk from these exposures varies, depending on how often you do this type of work. To reduce your exposure to these chemicals: work in a well ventilated area, and work with approved safety equipment, such as those dust masks that are specially designed to filter out microscopic particles.
- Use special care when emptying heavily loaded tanks.
- To avoid spontaneous combustion, empty dust box after each use.
- Do not leave dust extractor unattended when battery pack is installed. Remove battery pack when not in use and before servicing.
- Do not put any object into openings. Do not use with any opening blocked; keep free of dust, lint, hair, and anything else that may reduce air flow.
- Maintain dust extractor. Check for misalignment or binding of moving parts, breakage of parts and any other condition that may affect the dust extractor's operation. If damaged, have the dust extractor repaired before use. Many accidents are caused by poorly maintained tools.
- Maintain labels and nameplates. These carry important information. If unreadable or missing, contact a MILWAUKEE® service facility for a replacement.

BATTERY PACK USE AND CARE

- Use dust extractor only with specifically designated battery packs. Use of any other battery packs may create a risk of injury and fire.
- Turn off all controls before removing battery pack.
- To reduce the risk of electric shock, do not use on wet surfaces. Do not expose to rain. Store indoors.
- Before using the battery pack or charger read the operator's manuals, and any labels on the battery pack, charger and dust extractor.

- **Recharge only with the charger specified by the manufacturer.** A charger that is suitable for one type of battery pack may create a risk of fire when used with another battery pack.
- **When battery pack is not in use, keep it away from other metal objects like paper clips, coins, keys, nails, screws, or other small metal objects that can make a connection from one terminal to another.** Shorting the battery terminals together may cause burns or a fire.
- **Do not use damaged battery pack or dust extractor.** If battery pack or dust extractor are not working as they should, have been dropped, damaged, left outdoors, or dropped into water, return them to a service centre.

SERVICE

- **Have your power tool serviced by a qualified repair person using only identical replacement parts.** This will ensure that the safety of the power tool is maintained.

SPECIFIC SAFETY RULES FOR DUST EXTRACTORS

- **Before using the dust extractor, read this operator's manual, your tool, battery pack and charger operator's manuals, and all labels on the dust extractor, battery pack, charger and tool.**
- **Always use side handle assembly with the correct neck diameter for the rotary hammer/hammer drill.** An ill-fitting side handle will not tighten securely, causing loss of control.
- **Never use dust extractor without dust box and HEPA filter in place. Never use water to clean dust box or HEPA filter.**
- **Wear ear protectors.** Exposure to noise can cause hearing loss.

⚠ WARNING To reduce the risk of injury, when working in dusty situations, wear appropriate respiratory protection or use a suitable dust extraction solution.

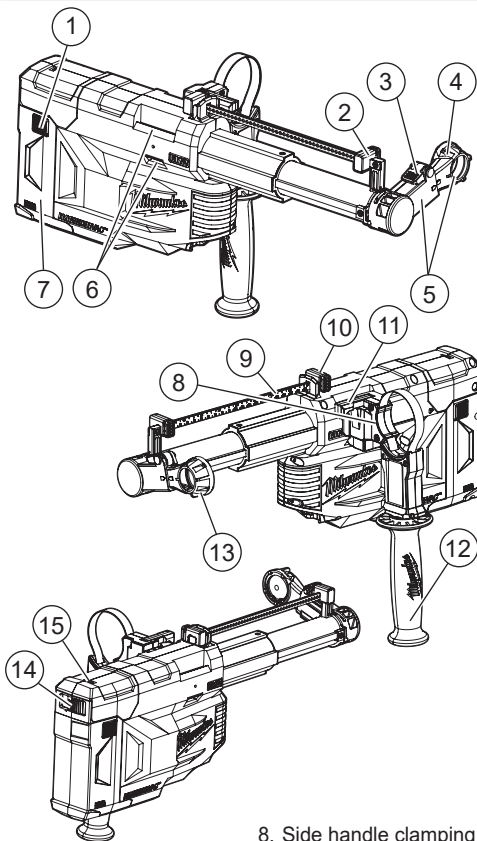
- **Always use common sense and be cautious when using tools.** It is not possible to anticipate every situation that could result in a dangerous outcome. Do not use this tool if you do not understand these operating instructions or you feel the work is beyond your capability; contact MILWAUKEE® Tool or a trained professional for additional information or training.

- **Always use side handle provided with dust extractor when using with a rotary hammer/hammer drill. When dust extractor is removed from the tool, always use side handle(s) supplied with the tool.** Loss of control can cause personal injury.

- **Hold power tool by insulated gripping surfaces, when performing an operation where the fastener may contact hidden wiring.** Fasteners contacting a "live" wire may make exposed metal parts of the power tool "live" and could give the operator an electric shock.

**READ AND
SAVE ALL
INSTRUCTIONS
FOR FUTURE USE**

FUNCTIONAL DESCRIPTION



- | | |
|---------------------------------------|---|
| 1. Dust box latch | 8. Side handle clamping collar assembly |
| 2. Depth gauge button | 9. Depth gauge |
| 3. Nozzle release lever | 10. Tool and bit depth gauge button |
| 4. Nozzle | 11. Clamp lever |
| 5. Nozzle assembly | 12. Side handle grip |
| 6. Side handle clamp attachment point | 13. Bit brush |
| 7. Dust box with filter | 14. Power switch |
| | 15. Fuel gauge |

SYMBOLGY

- | | |
|--|--|
| | Volts |
| | Direct Current |
| | Regulatory Compliance Mark (RCM). This product meets applicable regulatory requirements. |
| | Read Operator's Manual |
| | Do not dispose in household rubbish |

ADDITIONAL BATTERY SAFETY RULES

⚠WARNING To reduce the risk of fire, personal injury, and product damage due to a short circuit, never immerse your tool, battery pack or charger in fluid or allow a fluid to flow inside them. Corrosive or conductive fluids, such as seawater, certain industrial chemicals, and bleach or bleach-containing products, etc., can cause a short circuit.

⚠WARNING Do not charge non-rechargeable batteries.

SPECIFICATIONS

Cat. No.....	M12 UDEL
Dust Box Cat. No.....	42-16-0580
Crevis Tool Cat. No.....	49-90-2325
Volts.....	12V DC
Battery Type.....	M12™
Charger Type.....	M12™
Max Bit Diameter.....	32mm (1-1/4")
Min Bit Diameter.....	4 mm (5/32")
Max depth.....	203 mm (8")
Hammer Collar Sizes	
Diameter	Circumference
Ø 41-61 mm (1.6"-2.4")	129-192 mm (5.1"-7.5")
Recommended Ambient Operating Temperature	
.....-17°C to 51°C (0°F to 125°F)

ASSEMBLY

⚠WARNING Recharge only with the charger specified for the battery. For specific charging instructions, read the operator's manual supplied with your charger and battery.

Inserting/Removing the Battery

To **insert** the battery, slide the pack into the body of the tool. Make sure it latches securely into place.

⚠WARNING Only use accessories specifically recommended for this tool. Others may be hazardous.

To **remove** the battery, push in the release buttons and pull the battery pack away from the tool.

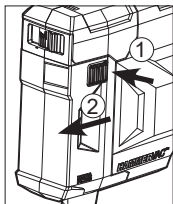
⚠WARNING Always remove the battery pack any time the tool is not in use.

To reduce the risk of injury, always remove the battery pack before removing the dust box. Do not use tool without dust box and HEPA filter in place.

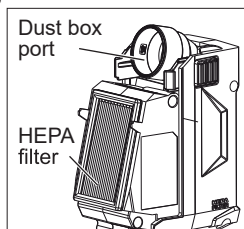
Installing/Removing the Dust Box and HEPA Filter

To **remove** the dust box:

1. Turn **OFF** the tool.
2. Remove the battery pack.
3. Press the dust box latches. (1)
4. Pull the dust box away from the HAMMERVAC™. (2)



5. Clean filter and dust box by following the following recommended steps in the "Removal and Cleaning of Dust Box and Filter" section.



To **install** the dust box:

1. Slide the dust box into the body of the HAMMERVAC™.

2. The dust box latches should snap into place.

NOTE: Do not operate the HAMMERVAC™ without the dust box and HEPA filter in place. Dust box cannot be installed without HEPA filter.

Removal and Cleaning of Dust Box and Filter

⚠WARNING To reduce the risk of injury, when working in dusty situations, wear appropriate respiratory protection or use a suitable dust extraction solution. Keep filter clean. Efficiency of the HAMMERVAC™ is largely dependent on the filter. A dirty filter will reduce the air flow and overall efficiency of the system. Do not clean with water or compressed air.

Disposal of Dust

Regular filter cleaning and dust box emptying are an essential part of regular maintenance on the HAMMERVAC™, as a full dust box or filter will reduce the effectiveness of the unit. Carefully transfer the filter or collected dust to a suitable container with a tight-fitting lid to minimise the amount of dust that re-enters the air. Ensure minimal dust is allowed to escape when emptying dust boxes or cleaning filters. Disposal of dust needs to be done in accordance with local regulations.

Cleaning Dust Box



Wear suitable personal protective equipment and remove any remaining dust in the dust box port thoroughly after the dust box has been removed and appropriately handled, e.g., by using a compliant dust extraction system (Class M recommended as a minimum) in accordance with local regulations.

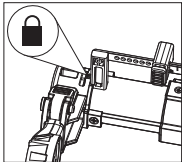
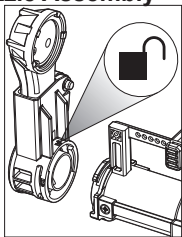
Disposal of HEPA Filter

After about 1,500 holes or loss of suction, discard the HEPA filter by cleaning the dust box (refer to the "Cleaning Dust Box" section) and carefully transferring the HEPA filter to a container with a tight-fitting lid. Disposal of HEPA filter needs to be done in accordance with local regulations. Replace HEPA filter with a correct replacement HEPA filter (Cat. No. 49902306).

Installing/Removing Nozzle Assembly

To install the nozzle assembly supplied with the tool, or accessory nozzles:

1. With the nozzle assembly pointing straight up, line up the lugs of the nozzle assembly with the lugs on the front of the HAMMERVAC™. The unlock symbol  on the nozzle assembly will line up with the depth gauge on the top of the HAMMERVAC™.
2. Turn the nozzle assembly left or right to lock into place. The lock symbol  on the nozzle assembly will line up with the depth gauge on the top of the HAMMERVAC™.
3. To remove, reverse the procedure.

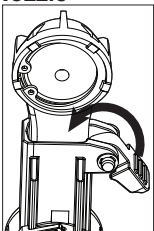


Installing/Removing Nozzle

Replace the nozzle:

- After drilling about 1500 holes,
- When the bit brush shows signs of wear,
- When suction is reduced,
- When dust escapes through the bit brush during use

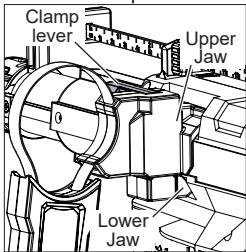
To replace the Standard (Cat. No. 14-52-0105 and Large Cat. No. 14-52-0110) nozzles, rotate the nozzle release lever up to the open position and pull out nozzle from the lower nozzle assembly (Cat. No. 42-20-0615). Slide the new nozzle into the lower nozzle assembly and rotate the nozzle release lever down to the closed position.



Attaching the HAMMERVAC™ to a Rotary Hammer/ Hammer Drill

The HAMMERVAC™ is provided with a clamping collar assembly and one side handle grip.

1. Turn **OFF**, remove the battery pack from the HAMMERVAC™, and disconnect power from the tool.
2. Remove the tool side handle by flipping clamp lever upwards.
3. Slide the HAMMERVAC™ side handle clamping collar assembly over the chuck and onto the neck of the tool.
4. Attach the side handle clamping collar assembly onto the HAMMERVAC™, first the upper jaw, then lower jaw.
5. Press down the clamp lever to secure the clamping collar assembly to the HAMMERVAC™.
6. Rotate the HAMMERVAC™ and side handle grip to the desired position and tighten securely.



Adjusting the Side Handle Position

1. Loosen the side handle clamping collar assembly by unscrewing the side handle grip until the side handle clamping collar assembly rotates freely.
2. Rotate the side handle grip to the desired position.
3. Tighten the side handle grip securely.

Installing/Removing the Bit

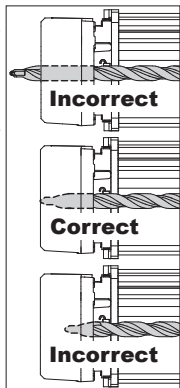
Slide the bit through the nozzle and then install into the tool according to the tool manufacturer's instructions. For best results, use a bit 177.8mm (7") in length or shorter.

Fitting the HAMMERVAC™ to the Tool and Bit

For proper suction and depth control, position the nozzle assembly so the bit is flush with the forward face of the nozzle:

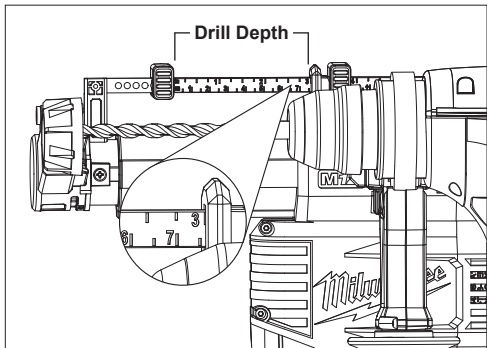
1. Press and hold the tool and bit depth gauge button.
2. Push in the nozzle assembly until the bit is flush with the front face of the nozzle.
3. Release the tool and bit depth gauge button.

NOTE: Fully extend the HAMMERVAC™ before storing to preserve spring life.



Setting the Drilling Depth

1. Fit the HAMMERVAC™ to the Tool and Bit.
2. Press and hold the depth gauge button and slide the depth gauge to the desired depth. The drilling depth is the last visible measurement shown when viewed from the depth gauge on the top of the tool. To ensure the HAMMERVAC™ is properly set to the tool, bit, and desired depth, always drill a test hole.



NOTE: When using the optional Crevice Tool (Cat. No. 49-90-2325), set the drill depth to 0.

OPERATION

⚠WARNING To reduce the risk of fire and injury, do not use to pick up flammable or combustible materials. Empty dust box completely before use.

To reduce the risk of injury, always wear proper eye protection marked to comply with AS/NZS 1337.1. When working in dusty situations, wear appropriate respiratory protection or use a suitable dust extraction solution.

Using the Power Switch

AUTO To set the HAMMERVAC™ to start automatically as a hole is being drilled, move the power switch to the AUTO position. When the nozzle assembly is pushed in, the HAMMERVAC™ will run. **NOTE:** The HAMMERVAC™ will continue to run 3-5 seconds after the tool has fully extended to ensure all dust is captured in dust box.

ON To turn the tool **ON**, move the power switch to the ON position. The HAMMERVAC™ will run continuously.

OFF To turn the tool **OFF**, move the power switch to the OFF position.

NOTE: When the HAMMERVAC™ has come to a stop, it will click three times to ensure the filter is free of debris that could become lodged.

Proper Operation

1. Empty the dust box.

NOTE: For optimal use to remove debris in the dust box, refer to the "Removal and Cleaning of Dust Box and Filter" section.

2. Install and position the nozzle assembly to the desired side.

3. Attach side handle clamping collar assembly and grip to tool.

4. Fit the HAMMERVAC™ to the Tool and Bit.

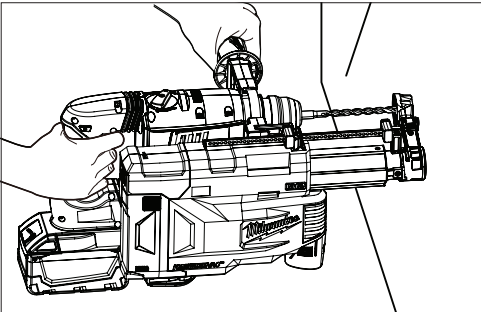
5. Set the drill depth.

6. Install the battery pack.

7. Turn HAMMERVAC™ to **ON** or **AUTO**.

8. Begin use according to tool manufacturer instructions.

9. Always hold the tool securely using both handles to maintain control.



10. Stop and empty dust box:

- When suction decreases,
- When dust begins to come through the bit brush.

MAINTENANCE

⚠WARNING To reduce the risk of injury, always unplug the charger and remove the battery pack from the charger or tool before performing any maintenance. Never disassemble the tool, battery pack or charger. Contact a MILWAUKEE® service facility for ALL repairs.

Maintaining Tool

Keep your tool, battery pack and charger in good repair by adopting a regular maintenance program. Inspect your tool for issues such as undue noise, misalignment or binding of moving parts, breakage of parts, or any other condition that may affect the tool operation. Return the tool, battery pack, and charger to a MILWAUKEE® service facility for repair. After six months to one year, depending on use, return the tool, battery pack and charger to a MILWAUKEE® service facility for inspection.

If the tool does not start or operate at full power with a fully charged battery pack, clean the contacts on the battery pack. If the tool still does not work properly, return the tool, charger and battery pack, to a MILWAUKEE® service facility for repairs.

Cleaning

Clean dust and debris from vents. Keep handles clean, dry and free of oil or grease. Use only mild soap and a damp cloth to clean, since certain cleaning agents and solvents are harmful to plastics and other insulated parts. Some of these include gasoline, turpentine, lacquer thinner, paint thinner, chlorinated cleaning solvents, ammonia and household detergents containing ammonia. Never use flammable or combustible solvents around tools.

Repairs

For repairs, return the tool, battery pack and charger to the nearest service centre.

ACCESSORIES

⚠WARNING Use only recommended accessories. Others may be hazardous.

For a complete listing of accessories, go online to milwaukeeetool.com.au / milwaukeeetool.co.nz or contact a distributor.

WARRANTY - AUSTRALIA and NEW ZEALAND

Please refer to Australian and New Zealand warranty supplied with tool. This warranty applies only to product sold by authorised dealers in Australia and New Zealand.

SERVICE - AUSTRALIA and NEW ZEALAND

MILWAUKEE® prides itself in producing a premium quality product that is Nothing But Heavy Duty™. Your satisfaction with our products is very important to us! If you encounter any problems with the operation of this tool, please contact your authorised **MILWAUKEE®** dealer.

For a list of **MILWAUKEE®** dealers, guarantee or service agents please contact **MILWAUKEE®** Customer Service or visit our website.

(Australia Toll Free Telephone Number 1300 645 928)

(New Zealand Toll Free Telephone Number 0800 645 928)

or visit milwaukeetool.com.au/milwaukeetool.co.nz.

Milwaukee Electric Tool Corporation

13135 West Lisbon Road, Brookfield, Wisconsin U.S.A. 53005

Milwaukee Tool (Australia)

26 - 40 Nina Link, Dandenong South,
Victoria, 3175, Australia

Milwaukee Tool (New Zealand)

274 Church Street, Penrose,
Auckland, 1061, New Zealand

DESIGNED BY MILWAUKEE ELECTRIC TOOL CORP.

PROFESSIONALLY MADE IN CHINA

PRINTED IN CHINA