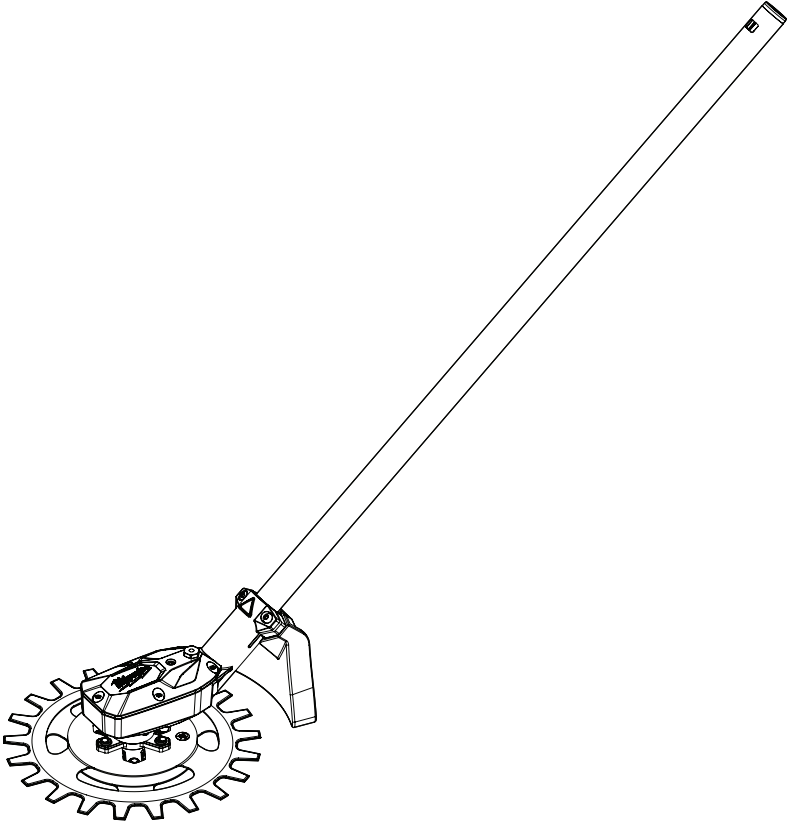





## OPERATOR'S MANUAL



Cat. No.  
**M18 FOPH RSA**

### **M18 FUEL™ QUIK-LOK™ RECIPROCATING SCISSOR ATTACHMENT**

 **WARNING**

 To reduce the risk of injury, user must read and understand operator's manual.

## GENERAL POWER TOOL SAFETY WARNINGS

**⚠WARNING** Read all safety warnings, instructions, illustrations and specifications provided with this power tool. Failure to follow all instructions listed below may result in electric shock, fire and/or serious injury. **Save all warnings and instructions for future reference.** The term "power tool" in the warnings refers to your mains-operated (corded) power tool or battery-operated (cordless) power tool.

### WORK AREA SAFETY

- **Keep work area clean and well lit.** Cluttered or dark areas invite accidents.
- **Do not operate power tools in explosive atmospheres, such as in the presence of flammable liquids, gases or dust.** Power tools create sparks which may ignite the dust or fumes.
- **Keep children and bystanders away while operating a power tool.** Distractions can cause you to lose control.

### ELECTRICAL SAFETY

- **Power tool plugs must match the outlet.** Never modify the plug in any way. Do not use any adapter plugs with earthed (grounded) power tools. Unmodified plugs and matching outlets will reduce risk of electric shock.
- **Avoid body contact with earthed or grounded surfaces, such as pipes, radiators, ranges and refrigerators.** There is an increased risk of electric shock if your body is earthed or grounded.
- **Do not expose power tools to rain or wet conditions.** Water entering a power tool will increase the risk of electric shock.
- **Do not abuse the cord.** Never use the cord for carrying, pulling or unplugging the power tool. **Keep cord away from heat, oil, sharp edges or moving parts.** Damaged or entangled cords increase the risk of electric shock.
- **When operating a power tool outdoors, use an extension cord suitable for outdoor use.** Use of a cord suitable for outdoor use reduces the risk of electric shock.
- **If operating a power tool in a damp location is unavoidable, use a residual current device (RCD) protected supply.** Use of a RCD reduces the risk of electric shock.

### PERSONAL SAFETY

- **Stay alert, watch what you are doing and use common sense when operating a power tool. Do not use a power tool while you are tired or under the influence of drugs, alcohol or medication.** A moment of inattention while operating power tools may result in serious personal injury.
- **Use personal protective equipment. Always wear eye protection.** Protective equipment such as a dust mask, non-skid safety shoes, hard hat or hearing protection used for appropriate conditions will reduce personal injuries.
- **Prevent unintentional starting. Ensure the switch is in the off-position before connecting to power source and/or battery pack, picking up or carrying the tool.** Carrying power tools with your finger on the switch or energising power tools that have the switch on invites accidents.

- **Remove any adjusting key or wrench before turning the power tool on.** A wrench or a key left attached to a rotating part of the power tool may result in personal injury.
- **Do not overreach. Keep proper footing and balance at all times.** This enables better control of the power tool in unexpected situations.
- **Dress properly. Do not wear loose clothing or jewellery. Keep your hair and clothing away from moving parts.** Loose clothes, jewellery or long hair can be caught in moving parts.
- **If devices are provided for the connection of dust extraction and collection facilities, ensure these are connected and properly used.** Use of dust collection can reduce dust-related hazards.
- **Do not let familiarity gained from frequent use of tools allow you to become complacent and ignore tool safety principles.** A careless action can cause severe injury within a fraction of a second.

### POWER TOOL USE AND CARE

- **Do not force the power tool. Use the correct power tool for your application.** The correct power tool will do the job better and safer at the rate for which it was designed.
- **Do not use the power tool if the switch does not turn it on and off.** Any power tool that cannot be controlled with the switch is dangerous and must be repaired.
- **Disconnect the plug from the power source and/or remove the battery pack, if detachable, from the power tool before making any adjustments, changing accessories, or storing power tools.** Such preventive safety measures reduce the risk of starting the power tool accidentally.
- **Store idle power tools out of the reach of children and do not allow persons unfamiliar with the power tool or these instructions to operate the power tool.** Power tools are dangerous in the hands of untrained users.
- **Maintain power tools and accessories. Check for misalignment or binding of moving parts, breakage of parts and any other condition that may affect the power tool's operation.** If damaged, have the power tool repaired before use. Many accidents are caused by poorly maintained power tools.
- **Keep cutting tools sharp and clean.** Properly maintained cutting tools with sharp cutting edges are less likely to bind and are easier to control.
- **Use the power tool, accessories and tool bits etc. in accordance with these instructions, taking into account the working conditions and the work to be performed.** Use of the power tool for operations different from those intended could result in a hazardous situation.
- **Keep handles and grasping surfaces dry, clean and free from oil and grease.** Slippery handles and grasping surfaces do not allow for safe handling and control of the tool in unexpected situations.

### BATTERY TOOL USE AND CARE

- **Recharge only with the charger specified by the manufacturer.** A charger that is suitable for one type of battery pack may create a risk of fire when used with another battery pack.
- **Use power tools only with specifically designated battery packs.** Use of any other battery packs may create a risk of injury and fire.
- **When battery pack is not in use, keep it away from other metal objects, like paper clips, coins, keys, nails, screws or other small metal objects,**

that can make a connection from one terminal to another. Shorting the battery terminals together may cause burns or a fire.

- **Under abusive conditions, liquid may be ejected from the battery; avoid contact. If contact accidentally occurs, flush with water. If liquid contacts eyes, additionally seek medical help.** Liquid ejected from the battery may cause irritation or burns.
- **Do not use a battery pack or tool that is damaged or modified.** Damaged or modified batteries may exhibit unpredictable behaviour resulting in fire, explosion or risk of injury.
- **Do not expose a battery pack or tool to fire or excessive temperature.** Exposure to fire or temperature above 130°C (265°F) may cause explosion.
- **Follow all charging instructions and do not charge the battery pack or tool outside the temperature range specified in the instructions.** Charging improperly or at temperatures outside the specified range may damage the battery and increase the risk of fire.

## SERVICE

- **Have your power tool serviced by a qualified repair person using only identical replacement parts.** This will ensure that the safety of the power tool is maintained.
- **Never service damaged battery packs.** Service of battery packs should only be performed by the manufacturer or authorised service providers.

## SPECIFIC SAFETY RULES FOR RECIPROCATORS

- **Do not use the reciprocator in bad weather conditions, especially when there is a risk of lightning.** This decreases the risk of being struck by lightning.
- **Keep all power cords and cables away from cutting area.** Power cords or cables may be hidden and can be accidentally cut by the blade.
- **Always wear eye, hearing, and head protection, and protective clothing and footwear, according to the operation being performed. Wear heavy, long pants, long sleeves, boots, and gloves.** Contain long hair. Do not wear loose clothing or jewellery. Do not wear short pants, sandals, or go barefoot.
- **Hold the reciprocator by insulated gripping surfaces only, because the blade may contact hidden wiring.** Blades contacting a "live" wire may make exposed metal parts of the reciprocator "live" and could give the operator an electric shock.
- **Keep all parts of the body away from the blades. Do not remove cut material or hold material to be cut when blades are moving.** Blades continue to move after the switch is turned off. A moment of inattention while operating the reciprocator may result in serious personal injury.
- **When clearing jammed material or servicing the unit, make sure all power switches are off and the battery pack is removed or disconnected.** Unexpected actuation of the reciprocator while clearing jammed material or servicing may result in serious personal injury.
- **Carry the reciprocator by the handle with the blades stopped and taking care not to operate any power switch.** Proper carrying of the

reciprocator will decrease the risk of inadvertent starting and resultant personal injury from the blades.

- **When transporting or storing the reciprocator, always fit the blade cover.** Proper handling of the reciprocator will decrease the risk of personal injury from the blades.
- **Always use two hands when operating the reciprocator.** Hold the reciprocator with both hands to avoid loss of control.
- **To reduce the risk of electrocution, never use the reciprocator near any electrical power lines.** Contact with or use near power lines may cause serious injury or electric shock resulting in death.
- **Do not use tool while standing on a ladder, rooftop, or unstable support.** Stable footing on a solid surface enables better control of the tool in unexpected situations.
- **Before starting the tool check the work area for hidden objects, such as wire fencing, posts, etc.** Striking a solid object could cause loss of control and serious personal injury.
- **Lock all adjustments before use.**
- **Before use, read this manual, and all manuals and labels of this tool and its power head. Failure to follow the warnings and instructions may result in serious injury.** Use tool only as described in this manual. Use only attachments recommended by *MILWAUKEE®*.
- **Keep bystanders at least 15 m away during use.**
- **When using this attachment with larger-capacity battery packs, use the shoulder strap to reduce user fatigue and help in maintaining control of the tool during use.**
- **Do not wear multiple shoulder straps simultaneously. When wearing a shoulder strap, ensure that no other wearable interferes with the release and removal of the strap.**
- **Do not operate the tool without the front handle in place. The front handle must be attached properly during use. Use both hands when operating the tool, according to the attachment instructions. Maintain a firm grip. Using one hand could cause loss of control and result in serious injury.**
- **Do not operate the tool without the hip barrier in place. The hip barrier must be attached properly during use. Operating the tool without the hip barrier will cause serious injury.**
- **Before starting the tool, make sure the blades are not contacting anything.** A moment of inattention while operating may cause entanglement of clothing or body with the blades.
- **Before setting down the tool, turn the switch off, ensure the blades have stopped, and remove the battery pack.**
- **Always turn off the tool when transporting from one location to another. Do not carry tool with finger on the trigger.** Accidental starting can cause serious personal injury.
- **Do not immerse in water or spray with a hose. Do not clean with a pressure washer.** Water entering a power tool will increase the risk of electric shock. Store tool indoors.
- **Do not store the power tool on or near to fertilisers or chemicals.**

•Always turn off the tool and then remove battery pack before changing or removing accessories, between jobs, or when storing the tool.

•Use only recommended accessories. Others may be hazardous.

•Maintain the unit with care. Keep the cutting edge sharp and clean for best performance and to reduce the risk of injury. Follow instructions for lubricating and changing accessories. Follow the sharpening and maintenance instructions for the blade. Clean off trimmings and debris before storing.

•Keep ALL children, bystanders, visitors, and animals out of the work area while starting or cutting with the tool.

•Dress Properly - Wear snug fitting clothing. Always wear heavy, long pants, long sleeves, overalls, jeans or chaps made of cut resistant material or ones that contain cut resistant inserts. Wear non-slip safety footwear. Wear non-slip heavy duty gloves to improve your grip and to protect your hands. Do not wear jewellery, short pants, sandals, or go barefoot. Do not wear loose fitting clothing, which could be drawn into the motor or catch the blade or underbrush. Secure hair so it is above shoulder level. Wear hearing and head protection.

•Heavy protective clothing may increase operator fatigue, which could lead to heat stroke. During weather that is hot and humid, heavy work should be scheduled for early morning or late afternoon hours when temperatures are cooler.

•Always be aware of what you are doing when using the tool. Use common sense. Do not operate the tool when you are tired, ill, or under the influence of alcohol, drugs, or medication.

•Never let anyone use your tool who has not received adequate instructions in its proper use. This applies to rentals as well as privately owned tools.

•Replace any blades that have been damaged. Always make sure blades are installed correctly and securely fastened before each use. Failure to do so can cause serious injury.

**⚠WARNING** To reduce the risk of injury, when working in dusty situations, wear appropriate respiratory protection or use a suitable dust extraction solution.

•Always use common sense and be cautious when using tools. It is not possible to anticipate every situation that could result in a dangerous outcome. Do not use this tool if you do not understand these operating instructions or you feel the work is beyond your capability; contact MILWAUKEE® Tool or a trained professional for additional information or training.

•Maintain labels and nameplates. These carry important information. If unreadable or missing, contact a MILWAUKEE® service facility for a replacement.

**⚠WARNING** Some dust created by power sanding, sawing, grinding, drilling, and other construction activities contains chemicals known to cause cancer, birth defects or other reproductive harm. Some examples of these chemicals are:

•lead from lead-based paint

•crystalline silica from bricks and cement and other masonry products, and  
•arsenic and chromium from chemically-treated lumber.

Your risk from these exposures varies, depending on how often you do this type of work. To reduce your exposure to these chemicals: work in a well ventilated area, and work with approved safety equipment, such as those dust masks that are specially designed to filter out microscopic particles.

## READ AND SAVE ALL INSTRUCTIONS FOR FUTURE USE

### ADDITIONAL BATTERY SAFETY RULES

**⚠WARNING** To reduce the risk of fire, personal injury, and product damage due to a short circuit, never immerse your tool, battery pack or charger in fluid or allow a fluid to flow inside them. Corrosive or conductive fluids, such as seawater, certain industrial chemicals, and bleach or bleach-containing products, etc., can cause a short circuit.

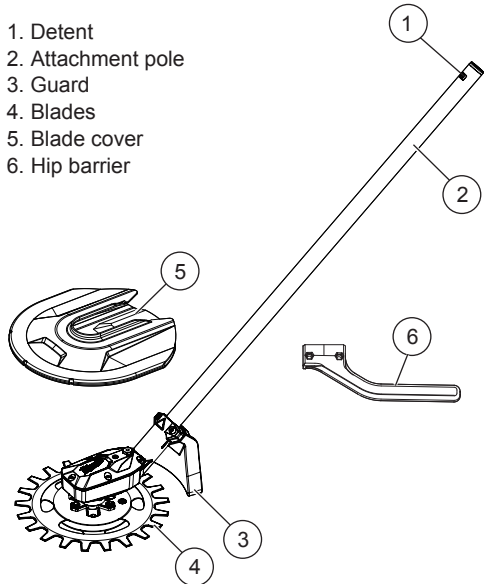
**⚠WARNING** Do not charge non-rechargeable batteries.

### SPECIFICATIONS

Cat. No. ....	<b>M18 FOPH RSA</b>
For use with .....	<b>M18 FUEL™ QUIK-LOK™ Power Heads</b>
Cuts Per Minute (CPM) .....	<b>0-4,900</b>
Blade Diameter.....	<b>230 mm (9")</b>
Cutting Capacity .....	<b>13 mm (1/2")</b>
Replacement Blades Cat. No. ....	<b>49162799</b>

### FUNCTIONAL DESCRIPTION

1. Detent
2. Attachment pole
3. Guard
4. Blades
5. Blade cover
6. Hip barrier



**NOTE:** The hip barrier must be installed on the M18 FUEL™ QUIK-LOK™ Power Head

## SYMBOLGY



Volts



Direct Current

n, XXXX min<sup>-1</sup>

Cuts per Minute (CPM)



Safety Alert Symbol



Read operator's manual



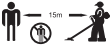
Wear eye, hearing, and head protection



Wear non-slip safety footwear



Wear protective gloves



The distance between the machine and bystanders shall be at least 15 m.



**⚠ DANGER** Keep hands and feet away from blade.



Beware of thrown objects



Beware of blade thrust



Regulatory Compliance Mark (RCM). This product meets applicable regulatory requirements.



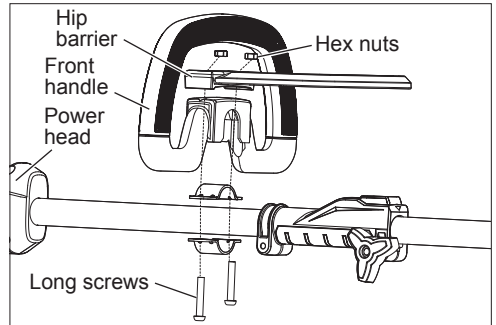
Do not dispose of electric tools together with household waste material. Electric tools and electronic equipment that have reached the end of their life must be collected separately and returned to an environmentally compatible recycling facility.

## ASSEMBLY

**⚠ WARNING** Before use, read manual and labels on the power head. Important assembly and use instructions are provided in the power head manual. Connect the attachment to the power head in accordance with the power head manual. Do not operate the tool without the hip barrier in place. The hip barrier must be attached properly during use. Operating the tool without the hip barrier will cause serious injury. Always remove battery pack before changing or removing accessories.

### Installing the Hip Barrier

The hip barrier is shipped uninstalled and must be installed before use. The hip barrier must be attached properly on the left side of the QUIK-LOK™ Power Head, so that the reciprocator is used on your right side. This is to help prevent kickback that could cause serious injury.



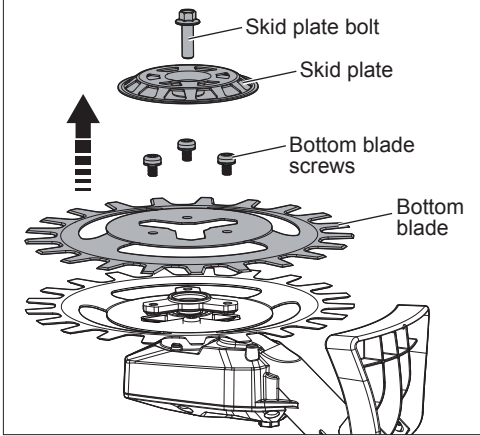
1. Remove the two screws from underneath the front handle of the QUIK-LOK™ Power Head.
2. Remove the hex nuts from the front handle of the QUIK-LOK™ Power Head.
3. Line up the hip barrier on top of the front handle. The hip barrier must be oriented on the left side of the tool.  
**NOTE:** The handle and hip barrier must be installed on the power head pole, just after the "Place Handle Here" label.
4. Line up the hex nuts on top of the hip barrier.
5. Insert the two long screws that came with the hip barrier through the bottom of the front handle to connect the front handle, hip barrier, and hex nuts into place. Tighten the screws securely.

**⚠WARNING** Blades are sharp. Wear non-slip heavy duty gloves to improve your grip and to protect your hands.

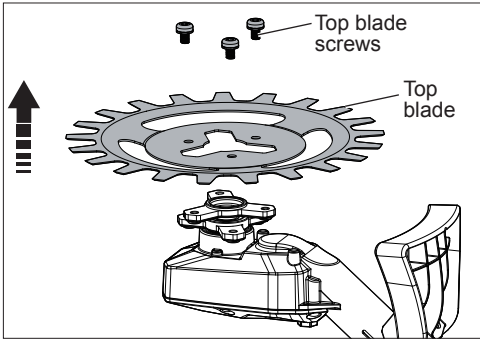
### Removing/Installing the Blades

To remove the blades:

1. **⚠WARNING** Remove battery to avoid starting the tool.
2. Position the tool so that you are facing the underside of the blade area.
3. Remove the skid plate bolt using a T30 wrench and pull the skid plate away from the tool.
4. Remove the three bottom blade screws using a T30 wrench and pull the bottom blade away from the tool.

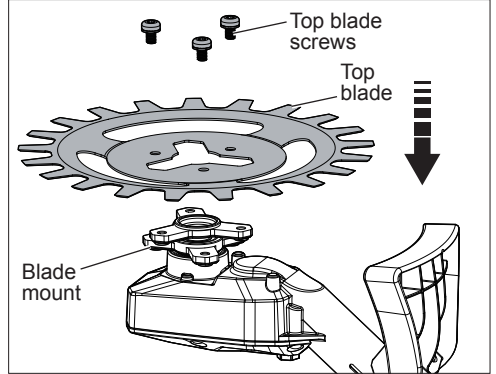


5. Remove the three top blade screws using a T30 wrench and pull the top blade away from the tool.



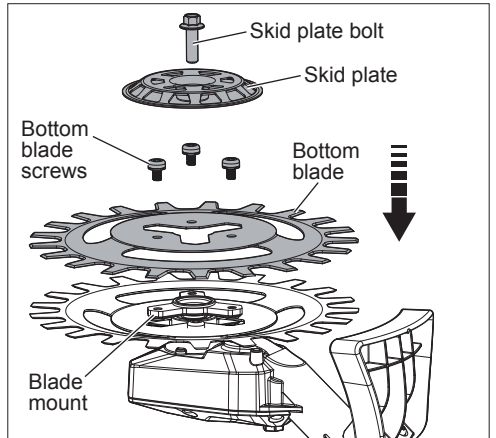
To install the blades:

1. **⚠WARNING** Remove battery to avoid starting the tool.
2. Position the tool so that you are facing the underside of the blade area.
3. Place the top blade onto the blade mount. Install the three top blade screws using a T30 wrench to secure the top blade to the blade mount.



4. Place the bottom blade onto the blade mount. Install the three bottom blade screws using a T30 wrench to secure the bottom blade to the blade mount.

5. Place the skid plate on top of the center of the bottom blade. Install the skid plate bolt using a T30 wrench to secure the skid plate to the tool.



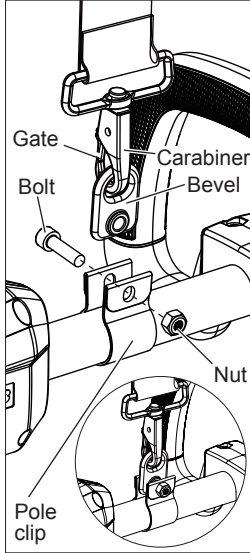
**⚠WARNING** Do not wear multiple shoulder straps simultaneously. When wearing a shoulder strap, ensure that no other wearable interferes with the release and removal of the strap.

### Attaching the Shoulder Strap

(Available as a spare part. Cat. No. 204350021)  
Use the shoulder strap provided with the M18 FUEL™ QUIK-LOK™ Power Head to reduce user fatigue and help in maintaining control of the tool during use.

To install the strap:

1. **⚠WARNING** Remove battery to avoid starting the tool.
2. Fit the pole clip around the power head pole between the front handle and rear handle in a location comfortable during use.
3. Insert the bolt through the pole clip and strap bevel. Thread the nut onto the bolt and tighten securely.
4. Clip the strap carabiner to the bevel.
5. Adjust the pole clip as needed to ensure the blade is at operating level.



To wear the strap:

1. Put your right arm and head through the strap.
2. Adjust the strap clips to change the strap length to fit comfortably.
3. Slide the neck pad to the appropriate position.

To unclip the strap:

1. Hold the tool by the front handle with your left hand.
2. Grip the carabiner with your right hand and unclip by pushing in the gate and it sliding off the bevel.

**⚠WARNING** Carry the tool by the front handle to avoid accidental starting.

Proper handling of the tool will prevent injury. Always turn off the tool when transporting from one location to another. Do not carry tool with finger on the trigger. Accidental starting can cause serious personal injury.

### Blade Cover

Always place the blade cover over the blade before moving from one job to another, storing or transporting the tool.

**⚠WARNING** Blade is sharp. Keep hands and body away from blade.

1. **⚠WARNING** Remove battery to avoid starting the tool.
2. Slide the blade cover over the blade.
3. To remove, pull blade cover off of blade.

## OPERATION

**⚠WARNING** Read and understand all instructions. Failure to follow all instructions listed below may result in electric shock, fire and/or serious personal injury.

- Always wear eye protection with side shields, as well as head and hearing protection, according to the operation being performed. Failure to do so could result in objects being thrown into your eyes and other possible serious injuries.
- Do not allow familiarity with this product to make you careless. Remember that a careless fraction of a second is sufficient to inflict serious injury.
- Use a firm grip with your left hand on the front handle and your right hand on the rear handle so that your body is to the left of the guide bar.
- Never use a cross-handed grip (left hand on the rear handles and right hand on the front handle).
- Never operate while in a tree, in any awkward position or on a ladder or other unstable surface. You may lose control of tool causing severe injury.
- Keep the tool running at full speed the entire time you are cutting.
- Allow the blades to cut for you. Exert only light pressure. Do not put pressure on tool at end of cut.
- When not in use always remove the battery.
- Do not use any attachments or accessories not recommended by the manufacturer. The use of attachments or accessories not recommended can result in serious personal injury.
- Wear non-slip gloves for maximum grip and protection.
- Do not operate the tool without the front handle in place. The front handle must be attached properly for use. Using one hand could cause loss of control and result in serious injury.
- Always keep both hands on the tool handles. Do not remove cut material or hold material to be cut when blades are moving.
- Clear the area to be cut before each use. Remove all objects such as cords, lights, wire, or string which can become entangled in the cutting blade.
- Never attempt to lock the trigger in the ON position.

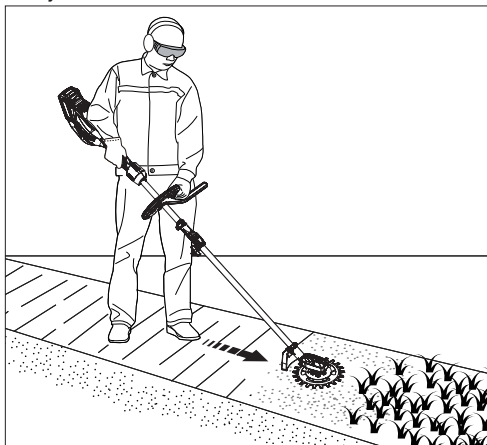
### Selecting the Speed

Use the speed control button to select the speed. Different power heads offer different speed selection options. Refer to your power head manual for more information.

Use lower speeds for larger jobs where extended battery life is needed. Use higher speeds for dense growth applications.

## Operating the Attachment

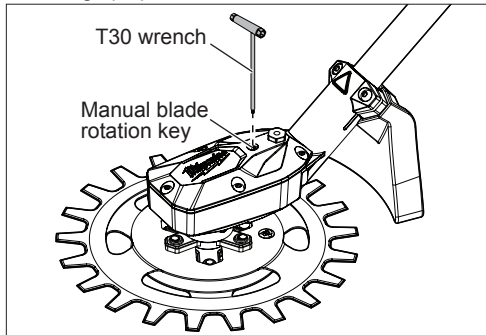
1. Remove the blade cover.  
**WARNING** Always remove the blade cover before use. Inspect the blades for damage. If damaged, do not use and replace the blades.
2. Grasp the tool firmly with your right hand on the rear handle and your left hand on the front handle. Always stand behind the guard. Hold the tool in a comfortable position with the rear handle about hip height.
3. To **start** the tool, squeeze the lock-off lever and pull the trigger.
4. To **vary** the speed, increase or decrease the pressure on the trigger. The further the trigger is pulled, the greater the speed up to the maximum set by the speed control button.
5. Push the tool along the surface, parallel to the ground, taking care to avoid contact with hard objects.



6. To **stop** the tool release the trigger. Make sure the tool comes to a complete stop before laying the tool down.

## Clearing Blockages

1. **WARNING** Remove battery to avoid starting the tool.
2. Use a T30 wrench to turn the manual blade rotation key. This will cause the blades to rotate, freeing up space to clear the debris.



## MAINTENANCE

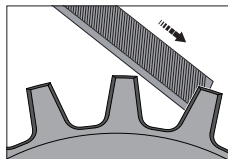
**WARNING** To reduce the risk of injury, always unplug the charger and remove the battery pack from the charger or tool before performing any maintenance. Never disassemble the battery pack, charger, or tool, except as provided in these instructions. Contact a MILWAUKEE® service facility for ALL repairs.

## Maintaining Tool

Keep your tool, battery pack and charger in good repair by adopting a regular maintenance program. Inspect your tool for issues such as undue noise, misalignment or binding of moving parts, breakage of parts, or any other condition that may affect the tool operation. Return the tool, battery pack, and charger to a MILWAUKEE® service facility for repair. After six months to one year, depending on use, return the tool, battery pack and charger to a MILWAUKEE® service facility for inspection. If the tool does not start or operate at full power with a fully charged battery pack, clean the contacts on the battery pack. If the tool still does not work properly, return the tool, charger and battery pack, to a MILWAUKEE® service facility for repairs.

## Sharpening Blades

1. **WARNING** Remove battery to avoid starting the tool.
2. Secure the blade in a vice and file the exposed cutting surface of each cutting blade tooth with a file. Do not change the cutting angle of the cutting teeth.



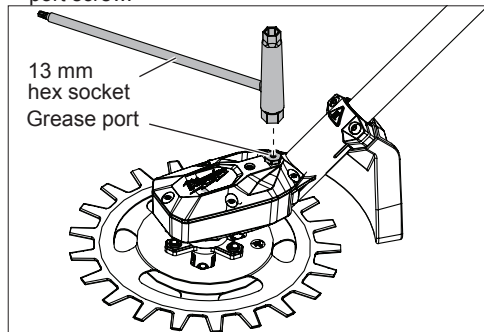
**NOTE:** Do not sharpen the tips of the blades. The blunt edge prevents major damage to delicate surfaces.

## Checking the Grease Level

The grease level should be checked every 100 hours.

To check the grease level:

1. **WARNING** Remove battery to avoid starting the tool.
2. Use a 13 mm hex socket to unscrew the grease port screw.



3. Check to see if grease is visible under the port.
  4. If no grease is visible, add 5 grams of polyurethane grease.
- NOTE:** Do not completely fill the gearbox with grease.
5. Reinstall the grease port screw.



## Cleaning

Clean dust and debris from vents. Keep handles clean, dry and free of oil or grease. Use only mild soap and a damp cloth to clean, since certain cleaning agents and solvents are harmful to plastics and other insulated parts. Some of these include petrol, turpentine, lacquer thinner, paint thinner, chlorinated cleaning solvents, ammonia and household detergents containing ammonia. Never use flammable or combustible solvents around tools.

## Repairs

For repairs, return the tool, battery pack and charger to the nearest authorised service centre.

## ACCESSORIES

**⚠WARNING** Use only recommended accessories. Others may be hazardous.

For a complete listing of accessories, go online to [milwaukeeetool.com.au](http://milwaukeeetool.com.au) / [milwaukeeetool.co.nz](http://milwaukeeetool.co.nz) or contact a distributor.





## **WARRANTY - AUSTRALIA and NEW ZEALAND**

Please refer to Australian and New Zealand warranty supplied with tool. This warranty applies only to product sold by authorised dealers in Australia and New Zealand.

## **SERVICE - AUSTRALIA and NEW ZEALAND**

**MILWAUKEE®** prides itself in producing a premium quality product that is Nothing But Heavy Duty™. Your satisfaction with our products is very important to us! If you encounter any problems with the operation of this tool, please contact your authorised **MILWAUKEE®** dealer.

For a list of **MILWAUKEE®** dealers, guarantee or service agents please contact **MILWAUKEE®** Customer Service or visit our website.

(Australia Toll Free Telephone Number 1300 645 928)

(New Zealand Toll Free Telephone Number 0800 645 928)

or visit [milwaukeetool.com.au](http://milwaukeetool.com.au)/[milwaukeetool.co.nz](http://milwaukeetool.co.nz).

### **Milwaukee Electric Tool Corporation**

13135 West Lisbon Road, Brookfield, Wisconsin U.S.A. 53005

#### **Milwaukee Tool (Australia)**

26 - 40 Nina Link, Dandenong South,  
Victoria, 3175, Australia

#### **Milwaukee Tool (New Zealand)**

274 Church Street, Penrose,  
Auckland, 1061, New Zealand

DESIGNED BY MILWAUKEE ELECTRIC TOOL CORP.

PROFESSIONALLY MADE IN CHINA

PRINTED IN CHINA