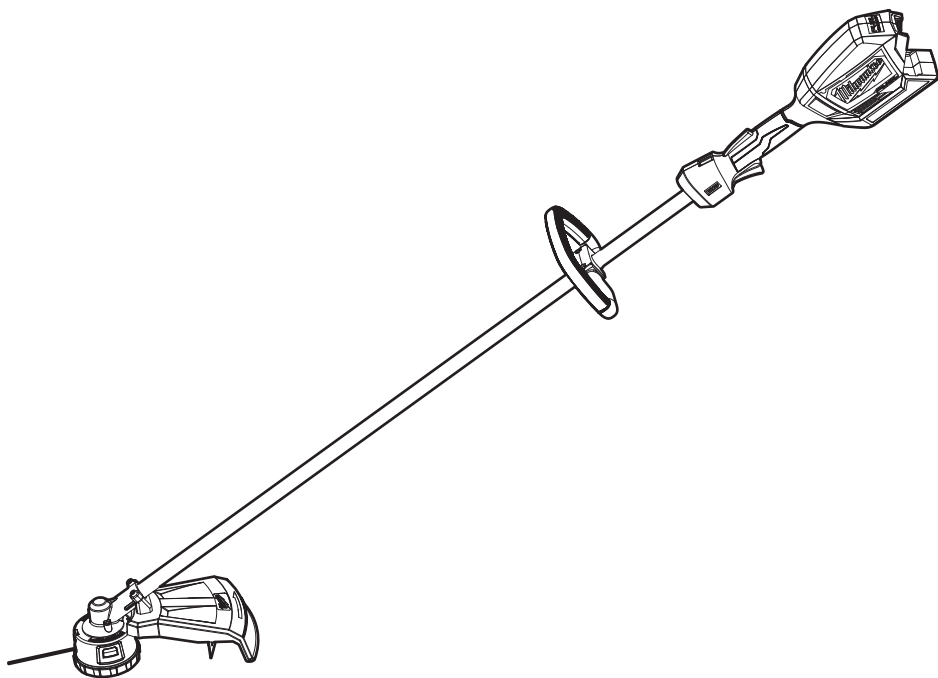




OPERATOR'S MANUAL



Cat. No.  
**M18 CLT**

**M18™ FUEL™ LINE TRIMMER**

 **WARNING**

To reduce the risk of injury, user must read and understand operator's manual.



# IMPORTANT SAFETY INSTRUCTIONS

**WARNING** Read all safety warnings, instructions, illustrations and specifications provided with this power tool. Failure to follow all instructions listed below may result in electric shock, fire and/or serious injury. Save all warnings and instructions for future reference.

## READ ALL INSTRUCTIONS BEFORE USE

### WORK AREA SAFETY

- **Keep work area clean and well lit.** Cluttered or dark areas invite accidents.
- **Do not operate power tools in explosive atmospheres,** such as in the presence of flammable liquids, gases or dust. Power tools create sparks which may ignite the dust or fumes.
- **Keep children and bystanders away while operating a power tool.** Distractions can cause you to lose control.
- **Do not allow to be used as a toy.** Close attention is necessary when used by or near children. Store idle power tools out of the reach of children and do not allow persons unfamiliar with the power tool or these instructions to operate the power tool. Power tools are dangerous in the hands of untrained users.
- **Do not use the tool near anything that is burning or smoking** such as cigarettes, matches, or hot ashes.
- **To reduce the risk of health hazards from vapors or dust, do not use tool near toxic, carcinogenic or other hazardous materials** such as asbestos, arsenic, barium, beryllium, lead, pesticides or other health endangering materials.

### ELECTRICAL SAFETY

- **Do not expose power tools to rain or wet conditions.** Do not immerse in water or spray with a hose. Do not clean with a pressure washer. Water entering a power tool will increase the risk of electric shock. Store tool indoors.

### PERSONAL SAFETY

- **Stay alert, watch what you are doing and use common sense when operating a power tool. Do not use a power tool while you are tired or under the influence of drugs, alcohol or medication.** A moment of inattention while operating power tools may result in serious personal injury.
- **Always wear eye protection.** Use of this tool can result in foreign objects being thrown into eyes, which can result in eye damage.
- **Wear a face or dust mask** when working in dust situations. Dust particles can harm your lungs.
- **Use personal protective equipment.** Protective equipment such as hearing protection, protective clothing, and non-skid safety shoes used for appropriate conditions will reduce personal injuries.
- **Dress properly. Do not wear loose clothing or jewelry. Keep your hair and clothing away from moving parts.** Loose clothes, jewelry or long hair can be caught in moving parts.

- **Do not overreach. Keep proper footing and balance at all times.** This enables better control of the power tool in unexpected situations.
- **Use the power tool, accessories, etc. in accordance with these instructions, taking into account the working conditions and the work to be performed.** Use of the power tool for operations different from those intended could result in a hazardous situation.
- **Prevent unintentional starting. Ensure the switch is in the off-position before connecting to power source and/or battery pack, picking up or carrying the tool.** Carrying power tools with your finger on the switch or energising power tools that have the switch on invites accidents.
- **Do not let familiarity gained from frequent use of tools allow you to become complacent and ignore tool safety principles.** A careless action can cause severe injury within a fraction of a second.

### POWER TOOL USE AND CARE

- **Do not force the power tool. Use the correct power tool for your application.** The correct power tool will do the job better and safer at the rate for which it was designed.
- **Use tool only as described in this manual.** Use only manufacturer's recommended attachments.
- **Do not use the power tool if the switch does not turn it on and off.** Any power tool that cannot be controlled with the switch is dangerous and must be repaired.
- **Disconnect the plug from the power source and/ or remove the battery pack, if detachable, from the power tool before making any adjustments, changing accessories, or storing power tools.** Such preventive safety measures reduce the risk of starting the power tool accidentally.
- **Store idle power tools out of the reach of children and do not allow persons unfamiliar with the power tool or these instructions to operate the power tool.** Power tools are dangerous in the hands of untrained users.
- **Do not store the power tool on or near to fertilizers or chemicals.**
- **Maintain power tools and accessories. Check for misalignment or binding of moving parts, breakage of parts and any other condition that may affect the power tool's operation. If damaged, have the power tool repaired before use.** Many accidents are caused by poorly maintained power tools.
- **Use the power tool, accessories, etc. in accordance with these instructions, taking into account the working conditions and the work to be performed.** Use of the power tool for operations different from those intended could result in a hazardous situation.
- **Keep handles and grasping surfaces dry, clean and free from oil and grease.** Slippery handles and grasping surfaces do not allow for safe handling and control of the tool in unexpected situations.

### BATTERY TOOL USE AND CARE

- **Remove the battery pack from the power tool before making any adjustments, changing accessories, storing, or any time the power tool is not in use.** Such preventive safety measures reduce the risk of starting the power tool accidentally.

- Turn off power tool before removing battery pack.
- Do not handle battery pack, tool, or charger (including charger plug and terminals) with wet hands.
- Before using the battery pack or charger read the operator's manuals, and any labels on the battery pack, charger and tool.
- Recharge only with the charger specified by the manufacturer. A charger that is suitable for one type of battery pack may create a risk of fire when used with another battery pack.
- Use power tools only with specifically designated battery packs. Use of any other battery packs may create a risk of injury and fire.
- When battery pack is not in use, keep it away from other metal objects, like paper clips, coins, keys, nails, screws or other small metal objects, that can make a connection from one terminal to another. Shorting the battery terminals together may cause burns or a fire.
- Under abusive conditions, liquid may be ejected from the battery; avoid contact. If contact accidentally occurs, flush with water. If liquid contacts eyes, additionally seek medical help. Liquid ejected from the battery may cause irritation or burns.
- Do not use a battery pack or tool that is damaged or modified. Damaged or modified batteries may exhibit unpredictable behavior resulting in fire, explosion or risk of injury.
- Do not expose a battery pack or tool to fire or excessive temperature. Exposure to fire or temperature above 130°C (265°F) may cause explosion.
- Follow all charging instructions and do not charge the battery pack or tool outside the temperature range specified in the instructions. Charging improperly or at temperatures outside the specified range may damage the battery and increase the risk of fire.
- Do not operate the tool without the front handle in place. The front handle must be attached properly for use when trimming. Using one hand could cause loss of control and result in serious injury.
- Carry the trimmer by the front handle. Proper handling of the trimmer will prevent injury.
- Use both hands when operating the trimmer. Maintain a firm grip. Using one hand could cause loss of control and result in serious injury.
- Inspect the area before using the tool. Remove all debris and hard objects such as rocks, glass, wire, etc. that can ricochet, be thrown, or otherwise cause injury or damage during operation.
- Keep face, hands and feet clear of rotating line at all times. Rotating line can cause severe lacerations.
- Thrown objects may ricochet off of hard surfaces, such as walls, trees, and rocks and cause injury. When possible, do trimming by hand in closed in areas.
- When replacing the line, use only 2mm spiral or 2.4mm spiral diameter line. Any other size can degrade performance or cause damage to the trimmer.
- Use care when trimming around decorative plants and other obstacles. Rotating line will cut/damage many materials.
- Always turn off the tool between cuts or when transporting from one location to another. Do not carry tool with finger on the trigger. Accidental starting can cause serious personal injury.
- Do not use tool as an edger. Do not tilt tool to create a right angle to the ground. Keep trimmer head and line parallel to the ground. Guard cannot protect against flying debris in this orientation.
- Maintain labels and nameplates. These carry important information. If unreadable or missing, contact a MILWAUKEE® service facility for a replacement.

## SERVICE

- Have your power tool serviced by a qualified repair person using only identical replacement parts. This will ensure that the safety of the power tool is maintained.
- Never service damaged battery packs. Service of battery packs should only be performed by the manufacturer or authorised service providers.

## SPECIFIC SAFETY RULES FOR STRING TRIMMERS

- Keep bystanders at least 15m (50') away during use. Objects may be thrown or ricochet in all directions.
- Brace for unexpected movement when contact is made with a hard object. Loss of control could result in serious injury.
- Do not use blades, brush cutting wheels, accessories, or attachment other than those recommended by MILWAUKEE®. Serious injury or product damage may occur.
- Do not operate the tool without the guard in place. The guard must be attached properly when trimming. Operating the trimmer without the guard will cause serious injury.
- Do not use tool with a damaged trimmer head. Cracked or broken pieces can be thrown.

- **WARNING** Some dust created by power sanding, sawing, grinding, drilling, and other construction activities contains chemicals known to cause cancer, birth defects or other reproductive harm. Some examples of these chemicals are:
  - lead from lead-based paint
  - crystalline silica from bricks and cement and other masonry products, and
  - arsenic and chromium from chemically-treated lumber.

Your risk from these exposures varies, depending on how often you do this type of work. To reduce your exposure to these chemicals: work in a well ventilated area, and work with approved safety equipment, such as those dust masks that are specially designed to filter out microscopic particles.

## ADDITIONAL BATTERY SAFETY RULES

- **WARNING** To reduce the risk of fire, personal injury, and product damage due to a short circuit, never immerse your tool, battery pack or charger in fluid or allow a fluid to flow inside them. Corrosive or conductive fluids, such as seawater, certain industrial chemicals, and bleach or bleach containing products, etc., can cause a short circuit.

**READ AND SAVE ALL INSTRUCTIONS FOR FUTURE USE**

## SYMBOLLOGY



Safety Alert Symbol



Volts



Direct Current

$n_r$  XXXX min<sup>-1</sup> RPM



Read Operator's Manual



Regulatory Compliance mark (RCM). This product meets applicable regulatory requirements.



Always wear eye protection and hearing protection.



Always wear gloves and personal protective equipment.



Always wear protective clothing and footwear



Keep bystanders 15m (50') away during use.



Objects may be thrown or ricochet in all directions.



Do not use in rain or wet locations.

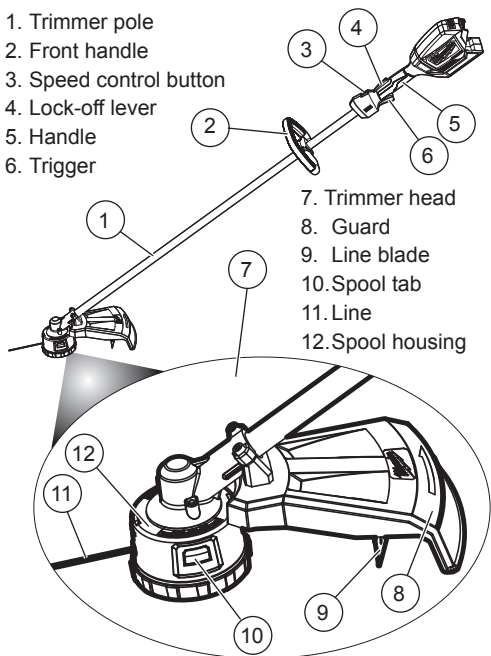


Do not use blades or brush cutting wheels.

## FUNCTIONAL DESCRIPTION

1. Trimmer pole
2. Front handle
3. Speed control button
4. Lock-off lever
5. Handle
6. Trigger

7. Trimmer head
8. Guard
9. Line blade
10. Spool tab
11. Line
12. Spool housing



## SPECIFICATIONS

Cat. No.....	M18 CLT
Volts.....	18V DC
Battery Type.....	M18™
Charger Type.....	M18™
RPM.....	0 - 4600 / 0 - 5800
Cutting Line.....	7.6m x 2.0mm Spiral
.....	6.1m x 2.4mm Spiral
Replacement Line 2mm.....	49162712
2.4mm.....	49162713

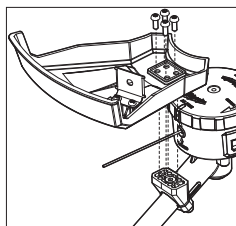
## ASSEMBLY

**WARNING** Do not operate the tool without the guard in place. The guard must be attached properly when trimming. Operating the trimmer without the guard will cause serious injury.

### Installing the Guard

The guard is shipped uninstalled and must be installed before use.

1. Line up the guard bracket with the holes in the guard.
2. Insert four screws through the guard and into the bracket.
3. Tighten the screws securely using the included key.

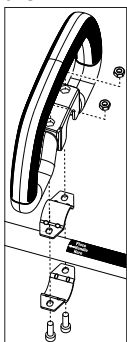


**WARNING** Do not operate the tool without the front handle in place. The front handle must be attached properly for use when trimming. Using one hand could cause loss of control and result in serious injury.

### Installing the Front Handle

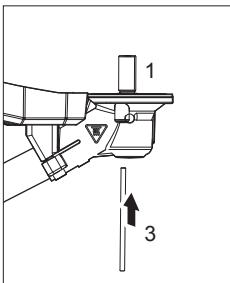
The front handle is shipped uninstalled and must be installed before use.

1. Place the two nuts into the front handle detents.
2. Insert one bracket into the handle.
3. Align the front handle with the top of the warning sticker, just above the "Place Handle Here" marking.
4. Wrap the other bracket around the back of the shaft.
5. Insert the two screws through the lower bracket and into the side handle.
6. Tighten the screws securely using the included key.

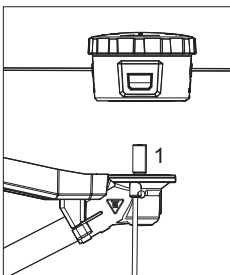


## Installing the Trimmer Head

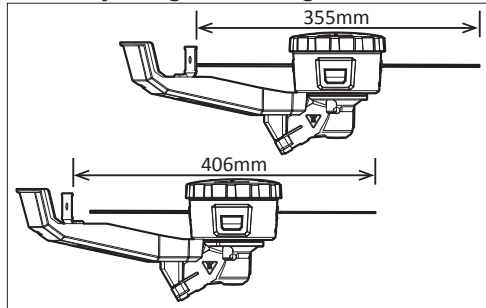
The output shaft(1) must be blocked with the stop pin(3) to install the **MILWAUKEE**® trimmer head. Only install the included **MILWAUKEE**® trimmer head or **MILWAUKEE**® replacement trimmer head.



1. Insert the stop pin(3) in the hole(2) in the gearbox and apply slight pressure.
2. Rotate shaft or **MILWAUKEE**® trimmer head until the stop pin slips into position and blocks the shaft.
3. Screw the trimmer head counterclockwise on to the shaft(1) until the head stops.
4. Tighten down the trimmer head firmly.
5. Remove stop pin(3).



## Adjusting the Cutting Diameter



To change the cutting diameter from 355mm to 406mm:

1. Remove the battery pack.
2. Remove the two screws holding the line cut-off blade.
3. Rotate the blade 180° and reinstall the screws. Tighten securely.

**WARNING** Recharge only with the charger specified for the battery. For specific charging instructions, read the operator's manual supplied with your charger and battery.

## Removing/Inserting the Battery

To **remove** the battery, push in the release buttons and pull the battery pack away from the tool.

**WARNING** Always remove battery pack before changing or removing accessories.

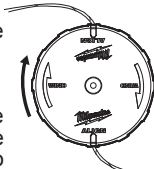
To **insert** the battery, slide the pack into the body of the tool. Make sure it latches securely into place.

**WARNING** Do not use blades, brush cutting wheels, accessories, or attachment other than those recommended by **MILWAUKEE**®. Serious injury or product damage may occur.

## Replacing the Cutting Line

Use only **MILWAUKEE**® trimmer line (see Specifications). Replace the cutting line with either 7.6m of 2mm line or 6.1m of 2.4mm line. Note, when used near abrasive surfaces or in dense growth, the cutting line will wear faster.

1. Remove the battery pack.
2. Clean any grass or debris from the trimmer head.
3. Measure out 6.1m of 2.4mm line or 7.6m of 2mm line. **CAUTION:** When replacing the line, use only **MILWAUKEE**® 2mm or 2.4mm diameter line. Any other line can degrade performance or cause damage to the trimmer.
4. Rotate the cap to align the red indicators on the cap with the red indicators above the eyelets.
5. Insert the line through either eyelet and push through the head so an equal amount of line extends from each eyelet.
6. Begin winding the line by rotating the cap in the direction of the arrows. Continue twisting until 101mm to 152mm of line extends from the eyelets.
7. Check that the exposed line extends no further than the line blade. If the exposed line is too long, continue winding the cap or trim before use.
8. Under normal operation, the remaining string should be thrown from the spinning head during use. If any string remains in the head, or to remove a length of string to replace with a different type, turn the trimmer head over and press the release tabs. Pull the cover away from the head (2). Discard any short line remnants. Snap the cover back onto the trimmer head.



## Selecting the Speed

Use the speed control button to select Low or High speeds. Use low speed for larger jobs where extended battery life is needed. Use high speed for dense growth applications.





## OPERATION

**⚠WARNING** To reduce the risk of injury, always wear safety goggles or glasses with side shields.

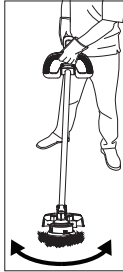
Do not operate the tool without the guard in place. The guard must be attached properly when trimming. Operating the trimmer without the guard will cause serious injury.

Use both hands when operating the trimmer. Maintain a firm grip. Using one hand could cause loss of control and result in serious injury.

Inspect the area before use. Remove all debris and hard objects such as rocks, glass, wire, etc. that can ricochet, be thrown, or otherwise cause injury or damage during operation.

### Trimming

1. Grasp the tool firmly by both handles.
2. To **start** the trimmer, squeeze the lock-off lever and pull the trigger.
3. To **vary** the speed, increase or decrease the pressure on the trigger. The further the trigger is pulled, the greater the speed up to the maximum set by the speed control button.
4. Allow the trimmer to angle down, keeping at least 305mm (12") between the trimmer head and any body part. Hold the trimmer just above the ground and swing the head side to side.



5. **⚠WARNING!** Do not use tool as an edger. Do not tilt tool to create a right angle to the ground. Keep trimmer head and line parallel to the ground. Guard cannot protect against flying debris in this orientation.
6. To **feed** out the line, bump it against the ground gently while running a normal speed. **NOTE:** When used near abrasive surfaces or in dense growth, the cutting line will wear faster and require "bumping" more often.
7. To **stop** the trimmer, release the trigger. Make sure the tool comes to a complete stop before laying the tool down.

### Cutting Tips

- Allow the ends of the line to do the cutting.
- Contact between the line and solid objects will cause extra line wear and breakage.
- Do not drag the spool cover along the ground or bump it too hard. Only bump spool on the ground. Do not bump against rocks, driveways, etc.
- Make multiple passes in long growth.
- Avoid ornamental trees, shrubs, and plantings. Avoid contact with siding, fence posts, etc. They can all be damaged by the trimmer.

## MAINTENANCE

**⚠WARNING** To reduce the risk of injury, always unplug the charger and remove the battery pack from the charger or tool before performing any maintenance. Never disassemble the tool, battery pack or charger. Contact a **MILWAUKEE**® service facility for ALL repairs.

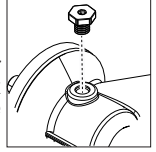
### Maintaining Tool

Keep your tool, battery pack and charger in good repair by adopting a regular maintenance program. Inspect your tool for issues such as undue noise, misalignment or binding of moving parts, breakage of parts, or any other condition that may affect the tool operation. Return the tool, battery pack, and charger to a **MILWAUKEE**® service facility for repair. After six months to one year, depending on use, return the tool, battery pack and charger to a **MILWAUKEE**® service facility for inspection.

If the tool does not start or operate at full power with a fully charged battery pack, clean the contacts on the battery pack. If the tool still does not work properly, return the tool, charger and battery pack, to a **MILWAUKEE**® service facility for repairs.

### Gearcase Lubrication

After about 50 hrs of use, the gearcase should be lubricated to increase performance and extend the life of the tool. Place the trimmer head on its side and remove the hex head screw. Add up to 10g of Type Y grease to the cavity. Do not overfill. Replace the hex head screw and tighten securely.



### Maintaining Line

Store extra line in a sealed plastic bag with a tablespoon of water to avoid drying or cracking. Periodically sharpen the line cutter to ensure the line does not extend too long from the spool, which can cause motor overload.

**⚠WARNING** To reduce the risk of personal injury and damage, never immerse your tool, battery pack or charger in liquid or allow a liquid to flow inside them.

### Cleaning

Clean dust and debris from vents. Keep handles clean, dry and free of oil or grease. Use only mild soap and a damp cloth to clean, since certain cleaning agents and solvents are harmful to plastics and other insulated parts. Some of these include gasoline, turpentine, lacquer thinner, paint thinner, chlorinated cleaning solvents, ammonia and household detergents containing ammonia. Never use flammable or combustible solvents around tools.

### Repairs

For repairs, return the tool, battery pack and charger to the nearest service centre.

## ACCESSORIES

**⚠WARNING** Use only recommended accessories. Others may be hazardous.

For a complete listing of accessories, go online to [www.milwaukeetools.com.au/](http://www.milwaukeetools.com.au/) [www.milwaukeetools.co.nz/](http://www.milwaukeetools.co.nz/) or contact a distributor.



## **WARRANTY - AUSTRALIA and NEW ZEALAND**

Please refer to Australian and New Zealand warranty supplied with tool. This warranty applies only to product sold in Australia and New Zealand.

## **SERVICE - AUSTRALIA and NEW ZEALAND**

**MILWAUKEE®** prides itself in producing a premium quality product that is Nothing But Heavy Duty®. Your satisfaction with our products is very important to us! If you encounter any problems with the operation of this tool, please contact your authorised **MILWAUKEE®** dealer.

For a list of **MILWAUKEE®** dealers, guarantee or service agents please contact **MILWAUKEE®** Customer Service or visit our website.

(Australia Toll Free Telephone Number 1300 645 928)

(New Zealand Toll Free Telephone Number 0800 279 624)

or visit [www.milwaukeetools.com.au](http://www.milwaukeetools.com.au) / [www.milwaukeetools.co.nz](http://www.milwaukeetools.co.nz).

### **Milwaukee Electric Tool Corporation**

13135 West Lisbon Road, Brookfield, Wisconsin U.S.A. 53005

#### **Milwaukee Tool (Australia)**

21 Kelletts Road, Rowville, VIC 3178  
Melbourne, Australia

#### **Milwaukee Tool (New Zealand)**

2 Landing Drive, Mangere  
Auckland, 2022, New Zealand

Designed by Milwaukee Electric Tool Corp.

Professionally Made in China for Milwaukee Tool (Australia) / Milwaukee Tool (New Zealand)

Printed in China