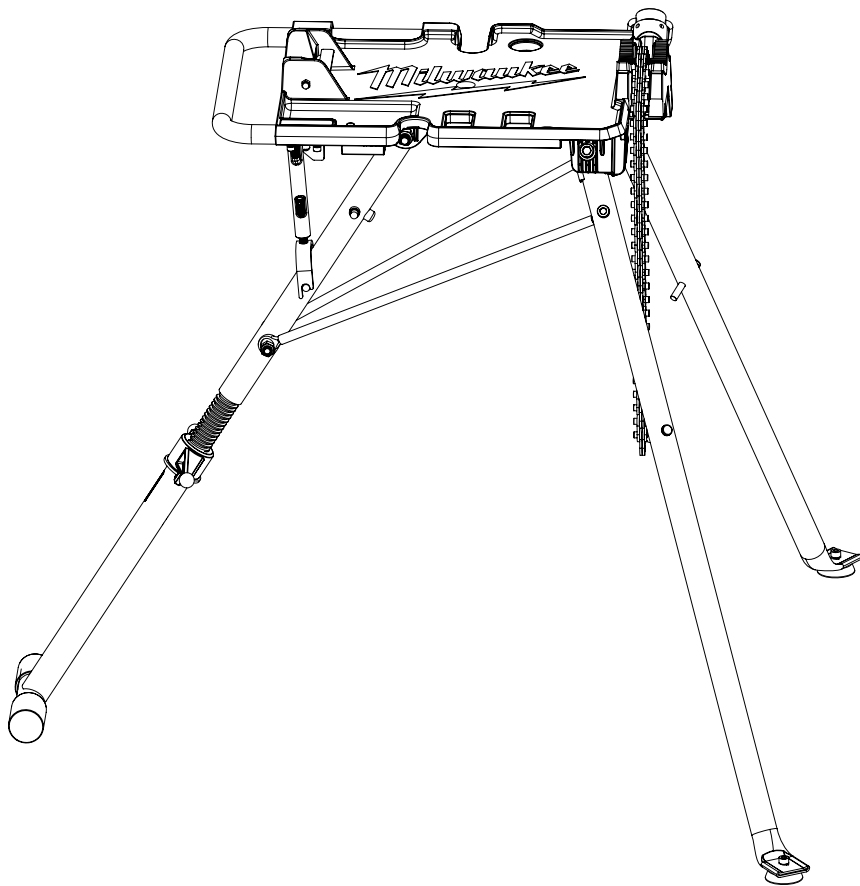





OPERATOR'S MANUAL



Cat. No.
MPS

152MM (6") LEVELING TRIPOD CHAIN VICE

 **WARNING**



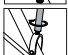
 To reduce the risk of injury, user must read and understand operator's manual.

SPECIFIC SAFETY RULES PIPE STAND

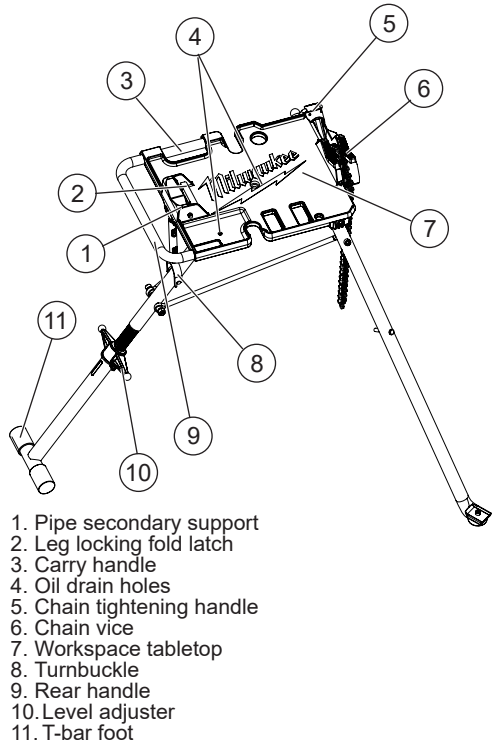
WARNING Read all safety warnings and all instructions provided with the pipe stand and any power tools to be used with the stand. Failure to follow the warnings and instructions may result in electric shock, fire and/or serious injury. Save all warnings and instructions for future reference.

- **Properly assemble the pipe stand before use.** Proper assembly is important to prevent risk of collapse.
- **Place the pipe stand on a solid, flat and level surface.** When the pipe stand can shift or rock, the power tool or workpiece cannot be steadily and safely controlled.
- **When collapsed, place stand on it's side or secure before leaving unattended.** Leaving the collapsed stand vertically may cause the stand to tip over.
- **Do not overload the pipe stand or use as ladder or scaffolding.** Overloading or standing on the pipe stand causes the stand to be "top-heavy" and likely to tip over.
- **Dress properly. Do not wear loose clothing or jewellery. Keep your hair and clothing away from moving parts.** Loose clothes, jewellery or long hair can be caught in moving parts.
- **Do not overreach. Keep proper footing and balance at all times.** This enables better control of the power tool in unexpected situations.
- **Avoid dangerous environments.** Use the pipe stand on flat, level, dry, and hard surfaces only.
- **Keep work area clean and well lit.** Cluttered, dark work areas invite accidents.
- **Maintain control.** Keep proper footing and balance at all times.
- **Maintain pipe stand carefully.** Keep pipe stand dry, clean and free from oil and grease. Follow instructions for changing accessories. Periodically inspect pipe stand for damage and wear.
- **Keep bystanders away.** Children and bystanders should be kept at a safe distance from the work area to avoid distracting the operator.
- **To reduce the risk of injury, always wear eye protection.**
- **Inspect the pipe stand and screws periodically and replace immediately if cracked, worn, or damaged.** Do not attempt to fix or mend damaged pipe stand or fasteners.
- **Fingers can be pinched between the legs and the underside of the tabletop.** To reduce the risk of injury, keep fingers out of the areas where the legs will secure into place.
- **Maintain labels.** These carry important information. If unreadable or missing, contact a MILWAUKEE® service facility for a replacement.
- **Always use common sense and be cautious when using tools.** It is not possible to anticipate every situation that could result in a dangerous outcome. Do not use this tool if you do not understand these operating instructions or you feel the work is beyond your capability; contact MILWAUKEE® Tool or a trained professional for additional information or training.

SYMBOLGY

-  Read Operator's Manual
-  No hands zone
-  Crush hands
-  Safety alert symbol
-  Place hand here
-  Hand grip
-  Attach turnbuckle
-  Twist turnbuckle to tighten
-  Pinching fingers hazard

FUNCTIONAL DESCRIPTION



1. Pipe secondary support
2. Leg locking fold latch
3. Carry handle
4. Oil drain holes
5. Chain tightening handle
6. Chain vice
7. Workspace tabletop
8. Turnbuckle
9. Rear handle
10. Level adjuster
11. T-bar foot

SPECIFICATIONS

Cat. No. MPS
Max pipe size.....152mm (6")

ASSEMBLY

WARNING Only use accessories specifically recommended for this tool. Others may be hazardous.

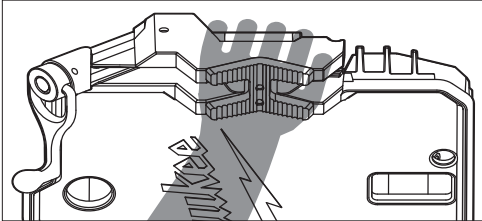
Inspect the pipe stand and screws periodically and replace immediately if cracked, worn, or damaged. Do not attempt to fix or mend damaged pipe stand or fasteners.



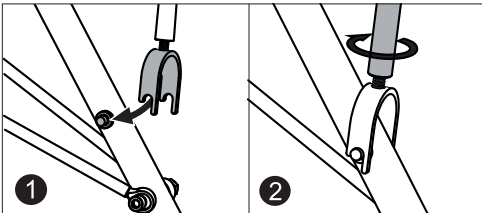
Fingers can be pinched between the legs and the underside of the tabletop. To reduce the risk of injury, keep fingers out of the areas where the legs will secure into place.

Setting up Stand

1. Make sure area is dry, stable and level to support stand.
2. Hold the stand with the tabletop chest-high with the t-bar foot resting on the ground.



3. Place one hand behind the chain vice and other hand on the bottom of the tabletop under the leg locking fold latch.
4. Place one foot on top of the t-bar foot. With the hand gripping under the latch, pull and hold the latch to release the legs.
5. Push chain vice down and away while lifting the back of the tabletop with the hand gripping the underside of the latch until the stand is fully deployed.
NOTE: By letting the whole system pivot around t-bar foot the stand will fully deploy.

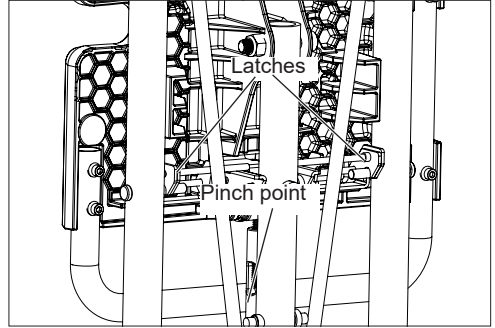


6. Once stand is fully deployed, guide the turnbuckle toward the leg to lock into place (as shown in image above).
7. Hand tighten the turnbuckle to lock and take up any slack in the stand. Do not use a wrench or pliers to tighten the turnbuckle.
8. Use level adjuster, if needed to make adjustment to the level of the table to achieve your desired angle.

Collapsing the Stand

1. Remove all tools and workpieces including the lower shelf off tabletop on the stand.
2. Release the turnbuckle.
3. Place one foot on top of the t-bar foot.
4. Place one hand behind the chain vice and other hand on rear handle.

NOTE: Fingers can be pinched by turnbuckle while collapsing. To reduce the risk of injury, do not place hand in the centre of the rear handle. (pinch points shown in image below)



5. Pull the chain vice up towards the body while pushing the other hand down and away until the legs lock into the latch.

Mounting the Stand to the Ground

1. Make sure the stand is installed on a flat, smooth level surface (ground).
2. Unscrew the bolts in the legs.
3. Remove the rubber caps on the bottom and the t-bar leg pads.
4. Use M8 screws to mount to the ground with holes in legs provided. Make sure screws are secure during use.

NOTE: Periodically check that screws are tight.

OPERATION

WARNING To reduce the risk of injury, always wear proper eye protection marked to comply with AS/NZS 1337.1.

Attaching Pipe to stand

1. Loosen chain and place chain on the chain tightening handle side of the jaw.
2. Place pipe down on jaw and secondary support if the material being secured is long enough to reach to the secondary support.
3. Move chain over pipe through slot on left side.
4. Tighten chain around pipe with tightening handle.
NOTE: Do not over tighten vice handle with a cheater bar, only hand tighten. If stand is modified and a cheater bar is used the vice assembly may fail.

ACCESSORIES

WARNING Use only recommended accessories. Others may be hazardous.

For a complete listing of accessories, go online to milwaukeeetool.com.au/ milwaukeeetool.co.nz or contact a distributor.

WARRANTY - AUSTRALIA and NEW ZEALAND

Please refer to Australian and New Zealand warranty supplied with tool. This warranty applies only to product sold by authorised dealers in Australia and New Zealand.

SERVICE - AUSTRALIA and NEW ZEALAND

MILWAUKEE® prides itself in producing a premium quality product that is Nothing But Heavy Duty™. Your satisfaction with our products is very important to us! If you encounter any problems with the operation of this tool, please contact your authorised **MILWAUKEE®** dealer.

For a list of **MILWAUKEE®** dealers, guarantee or service agents please contact **MILWAUKEE®** Customer Service or visit our website.

(Australia Toll Free Telephone Number 1300 645 928)

(New Zealand Toll Free Telephone Number 0800 645 928)

or visit milwaukeetool.com.au/milwaukeetool.co.nz.

Milwaukee Electric Tool Corporation

13135 West Lisbon Road, Brookfield, Wisconsin U.S.A. 53005

Milwaukee Tool (Australia)

21 Kelletts Road, Rowville, VIC 3178
Melbourne, Australia

Milwaukee Tool (New Zealand)

274 Church Street, Penrose,
Auckland, 1061, New Zealand

DESIGNED BY MILWAUKEE ELECTRIC TOOL CORP.
PROFESSIONALLY MADE IN TAIWAN
PRINTED IN CHINA