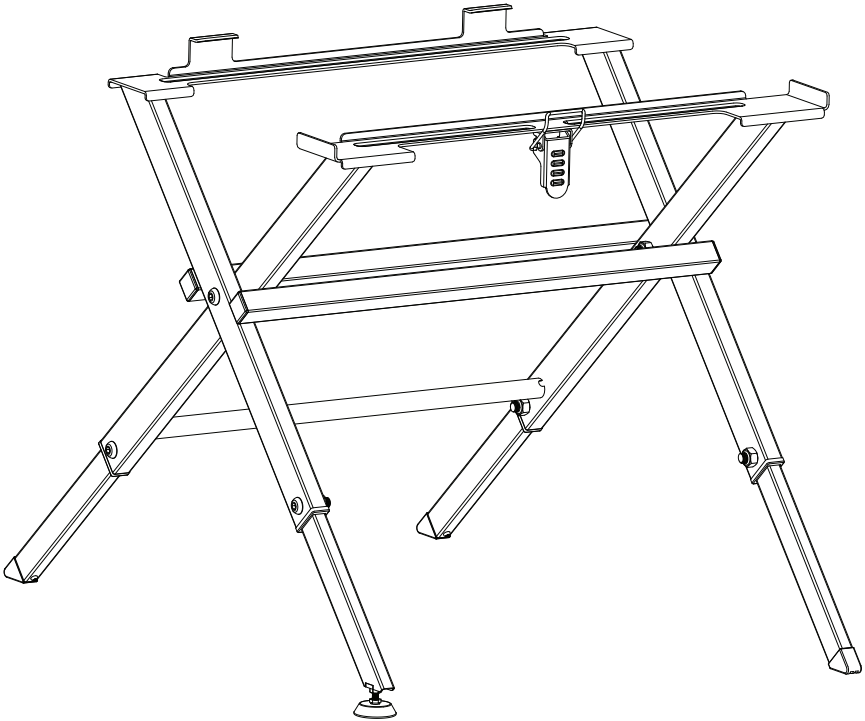




# OPERATOR'S MANUAL



Cat. No.  
**TSS 1000**

## FOLDING TABLE SAW STAND

 **WARNING**

To reduce the risk of injury, user must read and understand operator's manual.



## SPECIFIC SAFETY RULES TABLE SAW STAND

**WARNING** Read all safety warnings and all instructions provided with the table saw stand and the table saw to be mounted. Failure to follow the warnings and instructions may result in electric shock, fire and/or serious injury. Save all warnings and instructions for future reference.

• **Disconnect the battery pack from the table saw before making any adjustments or changing accessories.** Accidental starting of the power tool is a cause of some accidents.

• **Properly assemble the table saw stand before mounting the tool.** Proper assembly is important to prevent risk of collapse.

• **Securely fasten the table saw to the table saw stand before use.** Table saw shifting on the table saw stand can cause loss of control.

• **Place the table saw stand on a solid, flat and level surface.** If the table saw stand can shift or rock, the table saw or workpiece cannot be safely controlled.

• **Do not overload the table saw stand or use as ladder or scaffolding.** Overloading or standing on the table saw stand causes the stand to be “top-heavy” and likely to tip over.

• **Use only with MILWAUKEE® Table Saws M18FTS210, and mount securely, according to these instructions.** Improperly installed Table Saws can cause injury or property damage.

• **Avoid dangerous environments.** Use your tool stand on flat, level, dry, and hard surfaces only.

• **Keep work area clean and well lit.** Cluttered, dark work areas invite accidents.

• The table saw stand weight limit is 82kg. If more than 82kg is placed on the table saw stand it may be damaged and may cause personal injury.

• **Maintain control.** Keep proper footing and balance at all times.

• **Maintain table saw stand carefully.** Keep table saw stand dry, clean and free from oil and grease. Follow instructions for changing accessories. Periodically inspect table saw stand for damage and wear.

• **Maintain labels.** These carry important information. If unreadable or missing, contact a MILWAUKEE® service facility for a replacement.

• **Keep bystanders away.** Children and bystanders should be kept at a safe distance from the work area to avoid distracting the operator.

• **To reduce the risk of injury, always wear eye protection.**

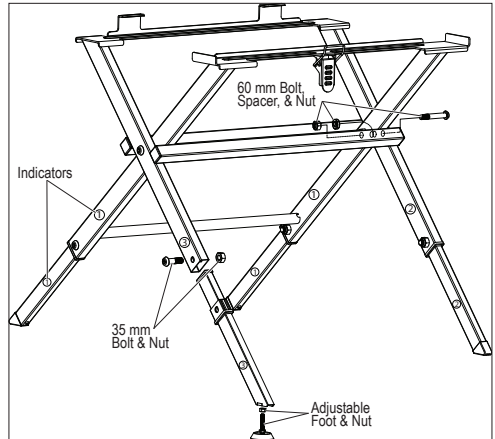
• **Fingers can be pinched between the legs of the table saw stand. To reduce the risk of injury, keep your fingers out of the areas where the legs will fold.**

• **Always use common sense and be cautious when using tools.** It is not possible to anticipate every situation that could result in a dangerous outcome. Do not use this tool if you do not understand these operating instructions or you feel the work is beyond your capability; contact Milwaukee Tool or a trained professional for additional information or training.

## ASSEMBLY

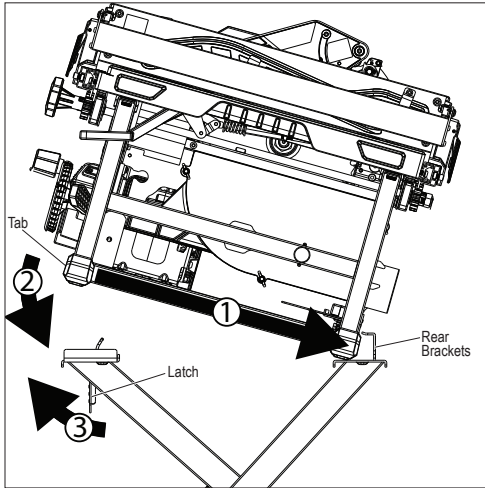
**WARNING** Properly assemble the table saw stand before mounting the tool. Proper assembly is important to ensure stability. Legs must match with corresponding number indicators on the stand.

### Assembling the Stand



1. Insert the legs into the frame according to the indicator stickers. Mismatched leg/frame assembly will cause the frame to wobble.
2. Insert the narrower frame into the wider frame at an angle to fit the crossbeam through, then straighten to align the bolt holes (see picture).
3. Insert the 35 mm bolt through the frame/legs assembly and thread on the nut. Use a 6 mm hex wrench and 17 mm open end wrench to securely tighten.
4. Assemble the frame pieces together, placing the plastic washer between the frame sections.
5. Insert the 60 mm bolt through the frame assembly and thread on the nut. Use a 6 mm hex wrench and 17 mm open end wrench to securely tighten.
6. Screw the nut onto the adjustable foot.
7. Screw in the adjustable foot into the stand until the stand sits level. Turn the nut back until it contacts the frame, locking the adjustable foot in place.

## Installing the Table Saw



1. Hook the back of the saw into the rear brackets.
2. Lower the front of the saw onto the frame.
3. Secure the latch onto the saw's front tab.

**⚠WARNING** Properly level the table saw stand before each use. If the table saw stand can shift or rock, the table saw or work-piece cannot be safely controlled.

### Leveling

1. Loosen the locking nut.
2. Screw in or out the foot to level the stand.
3. Tighten the locking nut flush with stand.

## **WARRANTY - AUSTRALIA and NEW ZEALAND**

Please refer to Australian and New Zealand warranty supplied with tool. This warranty applies only to product sold in Australia and New Zealand.

### **AUSTRALIA AND NEW ZEALAND MILWAUKEE® Service**

MILWAUKEE® prides itself in producing a premium quality product that is Nothing But Heavy Duty®. Your satisfaction with our products is very important to us! If you encounter any problems with the operation of this tool, please contact your authorised MILWAUKEE® dealer.

For a list of MILWAUKEE® dealers, guarantee or service agents please contact MILWAUKEE® Customer Service or visit our website.

(Australia Toll Free Telephone Number 1300 361 505)

(New Zealand Toll Free Telephone Number 0800 279 624) or visit [www.milwaukeetools.com.au](http://www.milwaukeetools.com.au) / [www.milwaukeetools.co.nz](http://www.milwaukeetools.co.nz).

### **Milwaukee Electric Tool Corporation**

13135 West Lisbon Road, Brookfield, Wisconsin U.S.A. 53005

#### **Milwaukee Tool (Australia)**

21 Kelletts Road, Rowville, VIC 3178  
Melbourne, Australia

#### **Milwaukee Tool (New Zealand)**

2 Landing Drive, Mangere  
Auckland, 2022, New Zealand

Designed by Milwaukee Electric Tool Corp.

Professionally Made in China for Milwaukee Tool (Australia) / Milwaukee Tool (New Zealand)  
Printed in China