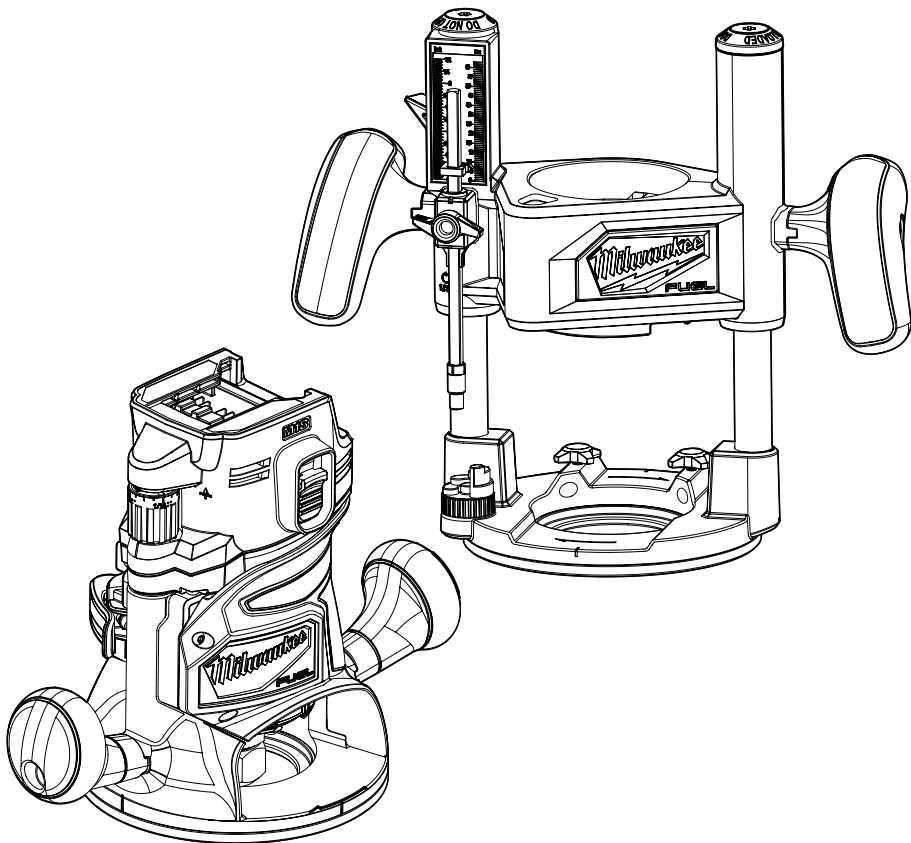





## OPERATOR'S MANUAL



Cat. No.  
**M18 FR12, RBA-1**

**M18 FUEL™ 1/2" ROUTER  
1/2" ROUTER PLUNGE BASE**

 **WARNING**

 To reduce the risk of injury, user must read and understand operator's manual.

## GENERAL POWER TOOL SAFETY WARNINGS

**WARNING** Read all safety warnings, instructions, illustrations and specifications provided with this power tool. Failure to follow all instructions listed below may result in electric shock, fire and/or serious injury. **Save all warnings and instructions for future reference.** The term "power tool" in the warnings refers to your mains-operated (corded) power tool or battery-operated (cordless) power tool.

### WORK AREA SAFETY

- **Keep work area clean and well lit.** Cluttered or dark areas invite accidents.
- **Do not operate power tools in explosive atmospheres, such as in the presence of flammable liquids, gases or dust.** Power tools create sparks which may ignite the dust or fumes.
- **Keep children and bystanders away while operating a power tool.** Distractions can cause you to lose control.

### ELECTRICAL SAFETY

- **Power tool plugs must match the outlet. Never modify the plug in any way. Do not use any adapter plugs with earthed (grounded) power tools.** Unmodified plugs and matching outlets will reduce risk of electric shock.
- **Avoid body contact with earthed or grounded surfaces, such as pipes, radiators, ranges and refrigerators.** There is an increased risk of electric shock if your body is earthed or grounded.
- **Do not expose power tools to rain or wet conditions.** Water entering a power tool will increase the risk of electric shock.
- **Do not abuse the cord. Never use the cord for carrying, pulling or unplugging the power tool. Keep cord away from heat, oil, sharp edges or moving parts.** Damaged or entangled cords increase the risk of electric shock.
- **When operating a power tool outdoors, use an extension cord suitable for outdoor use.** Use of a cord suitable for outdoor use reduces the risk of electric shock.
- **If operating a power tool in a damp location is unavoidable, use a residual current device (RCD) protected supply.** Use of a RCD reduces the risk of electric shock.

### PERSONAL SAFETY

- **Stay alert, watch what you are doing and use common sense when operating a power tool. Do not use a power tool while you are tired or under the influence of drugs, alcohol or medication.** A moment of inattention while operating power tools may result in serious personal injury.
- **Use personal protective equipment. Always wear eye protection.** Protective equipment such as a dust mask, non-skid safety shoes, hard hat or hearing protection used for appropriate conditions will reduce personal injuries.
- **Prevent unintentional starting. Ensure the switch is in the off-position before connecting to power source and/or battery pack, picking up or carrying the tool.** Carrying power tools with your finger on the switch or energising power tools that have the switch on invites accidents.

- **Remove any adjusting key or wrench before turning the power tool on.** A wrench or a key left attached to a rotating part of the power tool may result in personal injury.
- **Do not overreach. Keep proper footing and balance at all times.** This enables better control of the power tool in unexpected situations.
- **Dress properly. Do not wear loose clothing or jewellery. Keep your hair and clothing away from moving parts.** Loose clothes, jewellery or long hair can be caught in moving parts.
- **If devices are provided for the connection of dust extraction and collection facilities, ensure these are connected and properly used.** Use of dust collection can reduce dust-related hazards.
- **Do not let familiarity gained from frequent use of tools allow you to become complacent and ignore tool safety principles.** A careless action can cause severe injury within a fraction of a second.

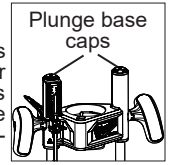
### POWER TOOL USE AND CARE

- **Do not force the power tool. Use the correct power tool for your application.** The correct power tool will do the job better and safer at the rate for which it was designed.
- **Do not use the power tool if the switch does not turn it on and off.** Any power tool that cannot be controlled with the switch is dangerous and must be repaired.
- **Disconnect the plug from the power source and/or remove the battery pack, if detachable, from the power tool before making any adjustments, changing accessories, or storing power tools.** Such preventive safety measures reduce the risk of starting the power tool accidentally.
- **Store idle power tools out of the reach of children and do not allow persons unfamiliar with the power tool or these instructions to operate the power tool.** Power tools are dangerous in the hands of untrained users.
- **Maintain power tools and accessories. Check for misalignment or binding of moving parts, breakage of parts and any other condition that may affect the power tool's operation. If damaged, have the power tool repaired before use.** Many accidents are caused by poorly maintained power tools.
- **Keep cutting tools sharp and clean.** Properly maintained cutting tools with sharp cutting edges are less likely to bind and are easier to control.
- **Use the power tool, accessories and tool bits etc. in accordance with these instructions, taking into account the working conditions and the work to be performed.** Use of the power tool for operations different from those intended could result in a hazardous situation.
- **Keep handles and grasping surfaces dry, clean and free from oil and grease.** Slippery handles and grasping surfaces do not allow for safe handling and control of the tool in unexpected situations.

### BATTERY TOOL USE AND CARE

- **Recharge only with the charger specified by the manufacturer.** A charger that is suitable for one type of battery pack may create a risk of fire when used with another battery pack.
- **Use power tools only with specifically designated battery packs.** Use of any other battery packs may create a risk of injury and fire.

- When battery pack is not in use, keep it away from other metal objects, like paper clips, coins, keys, nails, screws or other small metal objects, that can make a connection from one terminal to another. Shorting the battery terminals together may cause burns or a fire.
- Under abusive conditions, liquid may be ejected from the battery; avoid contact. If contact accidentally occurs, flush with water. If liquid contacts eyes, additionally seek medical help. Liquid ejected from the battery may cause irritation or burns.
- Do not use a battery pack or tool that is damaged or modified. Damaged or modified batteries may exhibit unpredictable behaviour resulting in fire, explosion or risk of injury.
- Do not expose a battery pack or tool to fire or excessive temperature. Exposure to fire or temperature above 130°C (265°F) may cause explosion.
- Follow all charging instructions and do not charge the battery pack or tool outside the temperature range specified in the instructions. Charging improperly or at temperatures outside the specified range may damage the battery and increase the risk of fire.
- Never start the tool when the bit is in contact with the material. The bit cutting edge may grab the material causing loss of control of the tool.
- Never lay the tool down until the bit has come to a complete stop. The spinning bit can grab the surface and pull the tool out of your control.
- Never touch the bit during or immediately after use. After use the bit, collet, and collet nut may be hot enough to burn bare skin.
- Never clamp the workpiece to a hard surface, such as concrete or stone. Contact with the bit could cause the tool to jump and loss of control.
- Only operate the router when held. Do not clamp or secure the router to a surface and hold the workpiece by hand.
- Never use bits larger than the smallest of the openings in the base, sub-base, or dust collection port.
- Do not loosen or remove the plunge base caps. Internal springs are under pressure. If loosened or removed, the plunge base caps and internal springs will become projectiles, which could cause injury.



### SERVICE

- Have your power tool serviced by a qualified repair person using only identical replacement parts. This will ensure that the safety of the power tool is maintained.
- Never service damaged battery packs. Service of battery packs should only be performed by the manufacturer or authorised service providers.

### SPECIFIC SAFETY RULES FOR ROUTERS

- Use clamps or another practical way to secure and support the workpiece to a stable platform. Holding the work by your hand or against the body leaves it unstable and may lead to loss of control.
  - Always hold the tool firmly in your hand(s) during the start-up. The reaction torque of the motor, as it accelerates to full speed, can cause the tool to twist.
  - Maintain a firm grip on the power tool and position your body and arm to allow you to resist kickback forces. The operator can control kickback forces, if proper precautions are taken.
  - Some woods contain preservatives that can be toxic. Take extra care to prevent inhalation and skin contact when working with these materials. Request, and follow, any safety information available from your material supplier.
  - Never hold the workpiece in one hand and the tool in the other hand when using the tool. Never place hands near or below cutting surface. Clamping the material and guiding the tool with both hands is safer.
  - Never use dull or damaged bits. Sharp bits must be handled with care. Damaged bits can break during use. Dull bits require more force to push the tool, which could cause the bit to break. Damaged bits can throw carbide pieces and burn the workpiece.
  - After changing the bit or making any adjustments, make sure the collet nut and any other adjustment devices are securely tightened. Loose adjustment devices can unexpectedly shift, causing loss of control. Loose rotating components will be violently thrown. Watch for vibration or wobbling that could indicate an improperly installed bit.
  - Never use the router with a router table or router lift. Serious injury or product damage may occur.
- AWARNING** To reduce the risk of injury, when working in dusty situations, wear appropriate respiratory protection or use a suitable dust extraction solution.
- To reduce the risk of explosion, electric shock and property damage, always check the work area for hidden pipes and wires before routing.
  - Avoid open area of router base. Serious personal injury will result from contact with a rotating bit.
  - Always use common sense and be cautious when using tools. It is not possible to anticipate every situation that could result in a dangerous outcome. Do not use this tool if you do not understand these operating instructions or you feel the work is beyond your capability; contact MILWAUKEE® Tool or a trained professional for additional information or training.
  - Maintain labels and nameplates. These carry important information. If unreadable or missing, contact a MILWAUKEE® service facility for a replacement.
- AWARNING** Some dust created by power sanding, sawing, grinding, drilling, and other construction activities contains chemicals known to cause cancer, birth defects or other reproductive harm. Some examples of these chemicals are:
- lead from lead-based paint
  - crystalline silica from bricks and cement and other masonry products, and
  - arsenic and chromium from chemically-treated lumber.
- Your risk from these exposures varies, depending on how often you do this type of work. To reduce your exposure to these chemicals: work in a well ventilated area, and work with approved safety equipment, such as those dust masks that are specially designed to filter out microscopic particles.

## ADDITIONAL BATTERY SAFETY RULES

**⚠WARNING** To reduce the risk of fire, personal injury, and product damage due to a short circuit, never immerse your tool, battery pack or charger in fluid or allow a fluid to flow inside them. Corrosive or conductive fluids, such as seawater, certain industrial chemicals, and bleach or bleach-containing products, etc., can cause a short circuit.

**⚠WARNING** Do not charge non-rechargeable batteries.

## SPECIFICATIONS

Cat. No. .... **M18 FR12**  
 Volts..... 18 V DC  
 Battery Type..... M18™  
 Charger Type..... M18™  
 No Load RPM..... 12,000 - 25,000  
 Collet Size ..... 13 mm (1/2"), 6.35 mm (1/4"),  
 6 mm, 8 mm and 12 mm

Recommended Ambient  
 Operating Temperature..... -17°C to 51°C

Plunge Base Cat. No.  
 (Optional Accessory) ..... **RBA-1**

## SYMBOLOLOGY

**V** Volts

**—|—|—|** Direct Current

$n_r$  XXXX min<sup>-1</sup> No Load Revolutions per Minute (RPM)



Read Operator's Manual



Wear Eye Protection

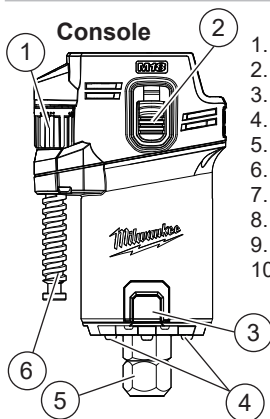


Regulatory Compliance Mark (RCM).  
 This product meets applicable  
 regulatory requirements.

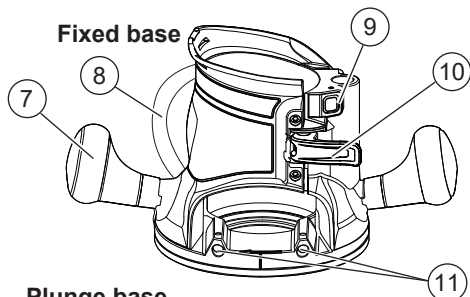
Do not dispose of electric tools  
 together with household waste  
 material. Electric tools and electronic  
 equipment that have reached the end  
 of their life must be collected  
 separately and returned to an  
 environmentally compatible recycling  
 facility.



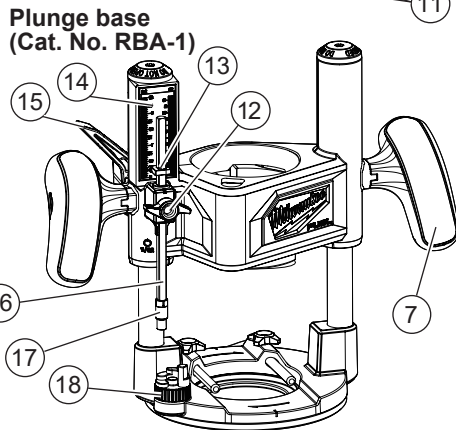
## FUNCTIONAL DESCRIPTION



1. Height adjust dial
2. Slide switch
3. Spindle lock
4. LED lights
5. Collet/collet nut
6. Height adjust screw
7. Handle
8. Gripping surface
9. Depth adjust button
10. Locking lever

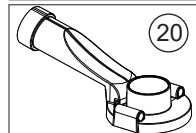
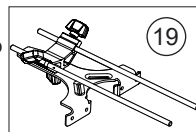


Fixed base



Plunge base  
 (Cat. No. RBA-1)

11. Accessory holes
12. Depth rod adjustment knob
13. Depth indicator
14. Depth scale
15. Plunge release lever
16. Depth rod
17. Micro adjust dial
18. Depth stop turret
19. Edge guide
20. Dust shroud



## ASSEMBLY

**⚠WARNING** Recharge only with the charger specified for the battery. For specific charging instructions, read the operator's manual supplied with your charger and battery.

### Inserting/Removing the Battery

To insert the battery, slide the pack into the body of the tool. Make sure it latches securely into place. To remove the battery, push in the release buttons and pull the battery pack away from the tool.

**⚠WARNING** Always lock the trigger or remove the battery pack any time the tool is not in use.

**⚠WARNING** Only use accessories specifically recommended for this tool.

Others may be hazardous.

Always remove battery from tool before changing or removing accessories.

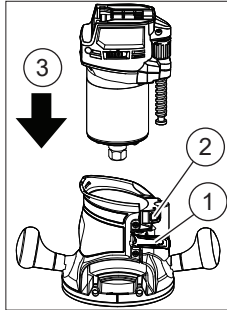
### Installing/Removing Bases

**⚠WARNING** To reduce the risk of injury, DO NOT use the router if the locking lever does not hold the console securely in the base. Check the locking lever screw and tighten if needed.

Pressing the depth adjust button will cause the console to drop down, which may cause personal injury or damage to the tool or workpiece. Make sure your hand is firmly on the console when pressing the button.

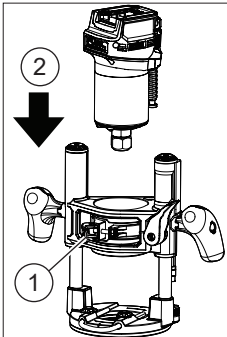
#### Fixed Base

1. Open the locking lever (1).
2. Press and hold the depth adjust button (2) on the fixed base.
3. Insert the console (3) into the base.
4. Release the button.
5. Close the locking lever.
6. To remove the base, reverse the procedure.



#### Accessory Plunge Base (RBA-1)

1. Open the locking lever (1).
2. Insert the console (2) into the base.
3. Close the locking lever.
4. To remove the base, reverse the procedure.



### Collets

The collet must be attached to the collet nut before it is put into the collet shaft. Be sure that the size of the collet matches the size of the bit shank being used. If the wrong size bit shank is used, the collet may break. For attaching or removing the collet to the collet nut, see "Collet Assembly".

### Changing Collet Nuts

The router can be fitted with either a 13 mm (1/2"), 6.35 mm (1/4"), 6 mm, 8 mm or 12 mm collet nut for different applications.

1. Remove battery pack.
2. Remove the console from the base.
3. Place the console upside down on a workbench.
4. Press and hold the spindle lock and use the 22.2 mm (1-1/8") wrench to loosen the collet nut anticlockwise. If the collet nut cannot be undone by this method, use both 22.2 mm (1-1/8") wrenches to loosen the collet nut.
5. Remove the collet nut.
6. Thread the new collet nut onto the spindle.
7. Hand-tighten the collet nut.
8. Press and hold the spindle lock and use the 22.2 mm (1-1/8") wrench to securely tighten the collet nut clockwise (or use both 22.2 mm (1-1/8") wrenches to tighten the collet nut securely).

### Installing/Removing Bits

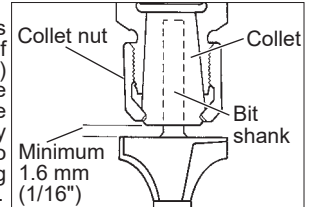
**⚠WARNING** Never use bits larger than the smallest of the openings in the base or dust shroud. The use of larger bits can result in loss of control and possible serious personal injury.

Do not tighten the collet nut without inserting the bit. The collet may break.

Never touch the bit during or immediately after use. After use, the bit, collet, and collet nut may be hot enough to burn bare skin.

1. Remove battery pack.
2. Remove the console from the base.
3. Place the console upside down on a workbench.
4. Press and hold the spindle lock and use the 22.2 mm (1-1/8") wrench to loosen the collet nut anticlockwise. If the collet nut cannot be undone by this method, use both 22.2 mm (1-1/8") wrenches to loosen the collet nut.
5. Insert the bit shank into the collet as far as it will go.
6. Back the bit shank out slightly to avoid bottoming out.

7. Be sure there is a minimum of 1.6 mm (1/16") between the bottom of the collet assembly and the radius to the cutting portion of the bit.



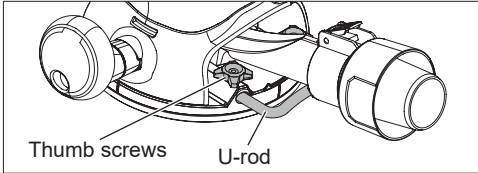
8. Hand-tighten the collet nut.
9. Press and hold the spindle lock and use the 22.2 mm (1-1/8") wrench to securely tighten the collet nut clockwise.

**⚠WARNING** If the collet nut is not tightened securely, the bit may come out during use, causing serious personal injury. During use, always keep the vacuum hose clear of the path of the bit. If a rotating router bit contacts the hose, the hose will break and flying debris may cause injury.

## Installing a Dust Shroud

**WARNING** To reduce the risk of injury, do not use the dust shroud when plunge cutting if the bit is larger than the port opening 15.9 mm (1-3/8"). If a rotating router bit contacts the dust shroud, the adapter will break and flying debris may cause injury.

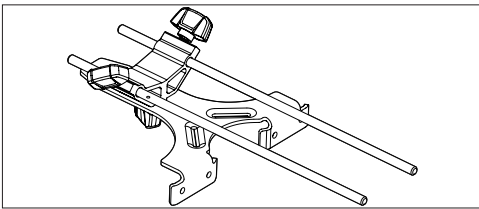
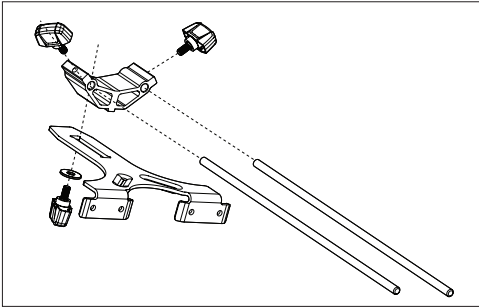
1. Remove the battery pack.
2. Remove the console and thumb screws from the base.
3. Set the dust shroud onto the base.
4. Insert the U-rod into the base holes.
5. Tighten the thumb screws.



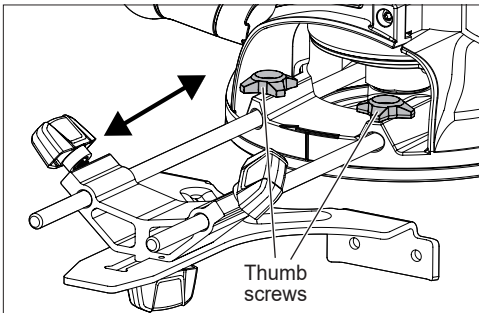
5. Connect a vacuum hose to the port and use with a suitable dust extraction solution.

## Installing the Edge Guide

1. Assemble the edge guide, as shown.



2. Attach the edge guide to the base by sliding the rods into the accessory holes and tightening the thumb screws.



## OPERATION

**WARNING** To reduce the risk of injury, always wear proper eye protection marked to comply with AS/NZS 1337.1.

When working in dusty situations, wear appropriate respiratory protection or use a suitable dust extraction solution.

Remove the battery before changing accessories or making adjustments.

Never make adjustments while the router is running.

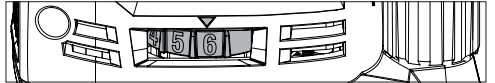
**DO NOT** use the router if the locking lever does not hold the motor securely in the base. Check the locking lever screw and tighten if needed during use.

Never use the router with a router table or router lift. Serious injury or product damage may occur. Always check collet assembly before operation. If collet separates from collet nut during use, Serious injury or product damage may occur.

## Selecting the Speed

**WARNING** To reduce the risk of injury, only use rotary bits rated for the operating speed setting of the tool.

The RPM of tool can be changed by turning the speed dial. Variable speed dial settings range from numbers six (6) through one (1). Higher numbers correspond to higher speeds and lower number correspond to lower speeds.



Use higher speeds for smaller bits and cutters, softwoods, plastics and laminates. Use lower speeds for larger diameter bits and cutters.

Speed Setting	Nominal RPM*
1	12,000
2	14,600
3	17,200
4	19,800
5	22,400
6	25,000

\*RPM may vary based on bit, battery size and battery capacity.

## Adjusting the Depth of Cut

**WARNING** Pressing the depth adjust button will cause the console to drop down, which may cause personal injury or damage to the tool or workpiece. Make sure your hand is firmly on the console when pressing the button.

**DO NOT** adjust the depth of cut while the router is running.

### Fixed Base

1. Remove the battery pack.
2. Open the locking lever completely.
3. Press the depth adjust button and with your other hand raise or lower the console to the desired depth of cut.
4. Release the depth adjust button to set the depth.
5. For fine adjustments, rotate the height adjust dial (marked with 0.4 mm (1/64") increments) to the desired depth of cut.
6. Close the locking lever.

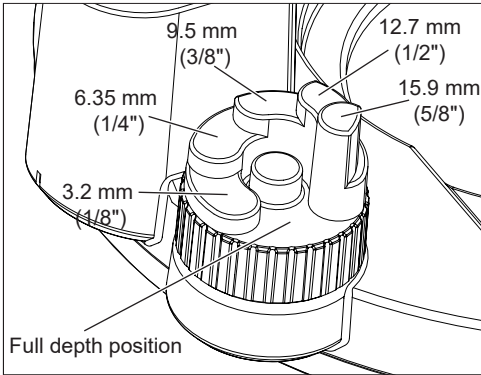
### Accessory Plunge Base

The plunge base depth of cut can be set two ways: for single pass cuts (shallow cuts less than 3.2 mm (1/8")), or for multiple pass cuts.

#### Single Pass Cuts

A shallow cut, such as a mortise cut, can be cut in a single pass.

1. Remove the battery pack.
2. Install the bit and insert the console into the base.
3. Rotate the depth stop turret until the highest setting (15.9 mm (5/8")) is directly below the depth rod.



4. Loosen the depth rod adjustment knob.
5. Unlock and hold the plunge release lever then lower the console until the bit touches the workpiece.
6. Release the plunge release lever.
7. Set the depth of cut:
  - a. Raise the depth rod and slide the piece to be inlaid (such as a hinge) between the top turret and the depth gauge rod. Tighten the depth rod adjustment knob. Remove the reference piece from the turret.
  - b. Slide the depth indicator to zero (0) on the depth scale and then raise the depth gauge rod to the desired depth of cut. Tighten the depth rod adjustment knob.

**NOTE:** Do not exceed 3.2 mm (1/8") cut in a single pass.

8. Make the cut as described in "Making the Cut - Plunge Cutting".

### Multiple Pass Cuts

For cuts more than 3.2 mm (1/8") deep, multiple passes are necessary.

1. Remove the battery pack.
2. Install the bit and insert the console into the base.
3. Rotate the depth turret until the lowest setting (full depth position) is directly below the depth rod.
4. Loosen the depth rod adjustment knob.
5. Unlock and hold the plunge release lever then lower the console until the bit touches the workpiece.
6. Slide the depth indicator to zero (0) on the depth scale.
7. Raise the depth rod to the desired depth of cut.
8. Tighten the depth rod adjustment knob.
9. Use the micro adjust dial for fine adjustments (loosen for a shallower cut, tighten for a deeper cut).
10. Release the plunge release lever and raise the console.
11. Rotate the turret to the highest possible step to prepare for the first cut.
12. Make the cut as described in "Making the Cut - Plunge Cutting".

## Holding the Tool

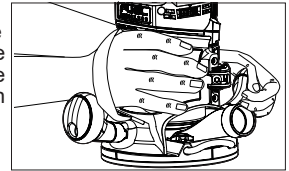
**WARNING** Keep hands and body away from the bit and all moving parts. Sharp bits must be handled with care. Loose clothes, jewellery or long hair can be caught in moving parts.

Always hold the tool firmly in your hand(s) during the start-up. The reaction torque of the motor, as it accelerates to full speed, can cause the tool to twist.

Maintain a firm grip on the power tool and position your body and arm to allow you to resist kickback forces. The operator can control kickback forces, if proper precautions are taken.

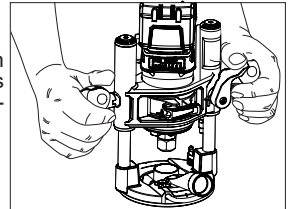
### Fixed Base

Hold the tool using the body grip and handle or both handles. The body grip features an adjustable strap.



### Accessory Plunge Base

Hold tool with both hands on the handles at all times for maximum control.



## Slide Switch Operation

To **start** the tool, grasp the handle(s) firmly, slide the switch upward and push forward to lock the tool into the ON position.

**NOTE:** The LEDs are turned on when the tool is in use.

To **lock-on** the switch, slide the switch to ON and press down on the front of the switch.

To **stop** the tool, press and release the switch. Make sure the tool comes to a complete stop before laying down the tool.

## Making the Cut

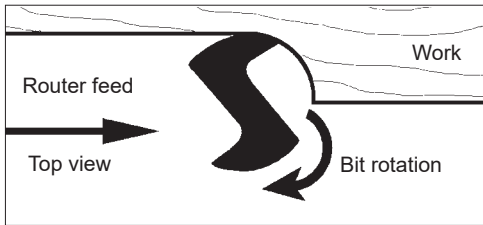
Before cutting, check that the collet nut and all adjustments are tight. Verify that the locking lever is fully closed and secure.

Set the speed and depth of cut for material being worked. Keep the cutting pressure constant but do not use excessive force on the router so the motor speed slows excessively. It may be necessary on exceptionally hard woods, problem materials, or extreme cuts to make more than one pass to get the desired depth of cut.

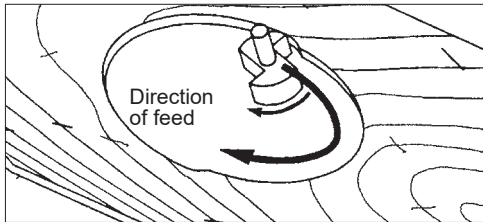
When using a dust collection hose, place the hose out of the path of the router.

Before beginning the cut on the workpiece, make a sample cut on a scrap piece of lumber to check the settings and dimensions. Always be sure the workpiece is secure before routing. When routing edges, the router should be held firmly down and against the workpiece.

Since the cutter rotates clockwise, more efficient cutting will be obtained if the router is moved from left to right as you stand facing the work. The arrows on the base of the tool indicate the direction of bit rotation. When working on the outside of an edge, move router in a counterclockwise direction.



When working on an inside edge, move the router in a clockwise direction.



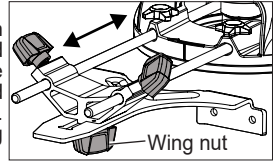
Moving the router in the opposite direction is known as "climb cutting".

**WARNING** To reduce the risk of injury, avoid "climb cutting". Climb cutting increases the potential for loss of control of the tool and damage to the workpiece. If climb cutting can not be avoided, use extreme caution.

## Fixed Base with an Edge Guide

To obtain a straight cut, use the edge guide, or clamp a piece of scrap lumber to use as a guide.

1. To adjust the straight edge guide, loosen the wing nuts and adjust the distance between the bit and the edge guide. Tighten the wing nuts securely.



2. To use the edge guide, move the tool with the edge guide flush with the side of the workpiece.
3. To use a piece of scrap lumber as a guide (when the distance between the side of the workpiece and the cutting position is too wide for the edge guide, or if the side of the workpiece is not straight, securely clamp a straight board to the workpiece and use it as a guide against the router base.

## Plunge Cutting

**WARNING** Always hold the handles firmly with both hands during operation.

**Do not use a plunge base if the console does not rise automatically when the plunge release lever is pressed.**

**Never use the router with a router table or router lift. Serious injury or product damage may occur.**

1. Securely clamp the workpiece.
2. Set the depth of cut.
3. Press the plunge release lever and raise the bit so it does not contact the workpiece.
4. Hold the handles securely and start the tool. Wait for the tool to reach full speed (or the speed set by the speed dial).
5. Press the plunge release lever and slowly lower the bit into the workpiece until the depth rod contacts the turret. Release the plunge release lever.
6. Begin moving the router, keeping the plunge base flat on the workpiece.
7. When finished, press the plunge release lever and raise the bit out of the workpiece.
8. Stop the tool and wait for the bit to stop turning.
9. **For multiple pass cuts**, rotate the turret to the next step and repeat. Make multiple passes, rotating the turret to a lower step each time.



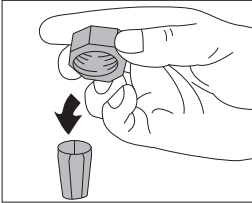
## MAINTENANCE

**WARNING** To reduce the risk of injury, always unplug the charger and remove the battery pack from the charger or tool before performing any maintenance. Never disassemble the battery pack, charger, or tool, except as provided in these instructions. Contact a MILWAUKEE® service facility for all other repairs.

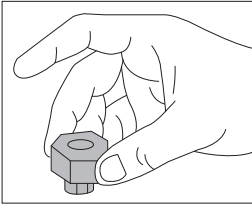
### Collet Assembly

Before making a cut, always check that the collet is securely attached to the collet nut.

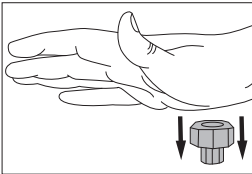
1. To **assemble**, place the narrow end of the collet on an even surface. Take the nut and place it over the collet.



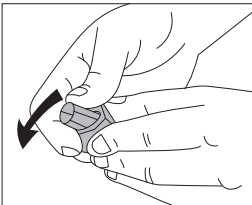
2. Position nut squarely over collet with the smaller opening of the nut facing up.



3. Snap nut and collet together by firmly applying downward pressure into assembly with palm of hand.



4. To remove collet from nut, hold nut firmly with one hand and press the collet to one side with the other hand.



### Maintaining Tool

Keep your tool, battery pack and charger in good repair by adopting a regular maintenance program. Inspect your tool for issues such as undue noise, misalignment or binding of moving parts, breakage of parts, or any other condition that may affect the tool operation. Return the tool, battery pack, and charger to a MILWAUKEE® service facility for repair. If the tool does not start or operate at full power with a fully charged battery pack, clean the contacts on the battery pack. If the tool still does not work properly, return the tool, charger and battery pack, to a MILWAUKEE® service facility for repairs.

### Cleaning

Clean dust and debris from vents. Keep handles clean, dry and free of oil or grease. Use only mild soap and a damp cloth to clean, since certain cleaning agents and solvents are harmful to plastics and other insulated parts. Some of these include petrol, turpentine, lacquer thinner, paint thinner, chlorinated cleaning solvents, ammonia and household detergents containing ammonia. Never use flammable or combustible solvents around tools.

### Repairs

For repairs, return the tool, battery pack and charger to the nearest service centre.

## ACCESSORIES

**WARNING** Use only recommended accessories. Others may be hazardous.

For a complete listing of accessories, go online to [milwaukeeetool.com.au](http://milwaukeeetool.com.au) / [milwaukeeetool.co.nz](http://milwaukeeetool.co.nz) or contact a distributor.





## **WARRANTY - AUSTRALIA and NEW ZEALAND**

Please refer to Australian and New Zealand warranty supplied with tool. This warranty applies only to product sold by authorised dealers in Australia and New Zealand.

## **SERVICE - AUSTRALIA and NEW ZEALAND**

**MILWAUKEE®** prides itself in producing a premium quality product that is Nothing But Heavy Duty™. Your satisfaction with our products is very important to us! If you encounter any problems with the operation of this tool, please contact your authorised **MILWAUKEE®** dealer.

For a list of **MILWAUKEE®** dealers, guarantee or service agents please contact **MILWAUKEE®** Customer Service or visit our website.

(Australia Toll Free Telephone Number 1300 645 928)

(New Zealand Toll Free Telephone Number 0800 645 928)

or visit [milwaukeetool.com.au](http://milwaukeetool.com.au)/[milwaukeetool.co.nz](http://milwaukeetool.co.nz).

### **Milwaukee Electric Tool Corporation**

13135 West Lisbon Road, Brookfield, Wisconsin U.S.A. 53005

#### **Milwaukee Tool (Australia)**

26 - 40 Nina Link, Dandenong South,  
Victoria, 3175, Australia

#### **Milwaukee Tool (New Zealand)**

274 Church Street, Penrose,  
Auckland, 1061, New Zealand

DESIGNED BY MILWAUKEE ELECTRIC TOOL CORP.

PROFESSIONALLY MADE IN CHINA

PRINTED IN CHINA