



IMPORTANT SAFETY INSTRUCTIONS

⚠WARNING Read and understand all instructions. Before use, read this instruction sheet, the tool instructions, and all labels on the tool. Failure to follow the warnings and instructions may result in serious injury. Save all warnings and instructions for future reference.

- Hold the power tool by insulated gripping surfaces when performing an operation where the fastener may contact hidden wiring. Fasteners contacting "live" wire may make exposed metal parts of the power tool "live" and could give the operator an electric shock.
- Use only with the M18 FUEL™ 1/4" Rivet Tool w/ ONE-KEY™ (M18 FPRT-0).
- Use personal protective equipment. Always wear eye protection. Protective equipment such as a dust mask, non-skid safety shoes, hard hat or hearing protection used for appropriate conditions will reduce personal injuries.

ASSEMBLY

⚠WARNING To reduce the risk of injury, always wear proper eye protection marked to comply with AS/NZS 1337.1.

Always remove battery pack before changing or removing accessories. Only use accessories specifically recommended for this tool. Others may be hazardous.

Always hold tool securely and anticipate a sudden reaction.

Assembling the Extension

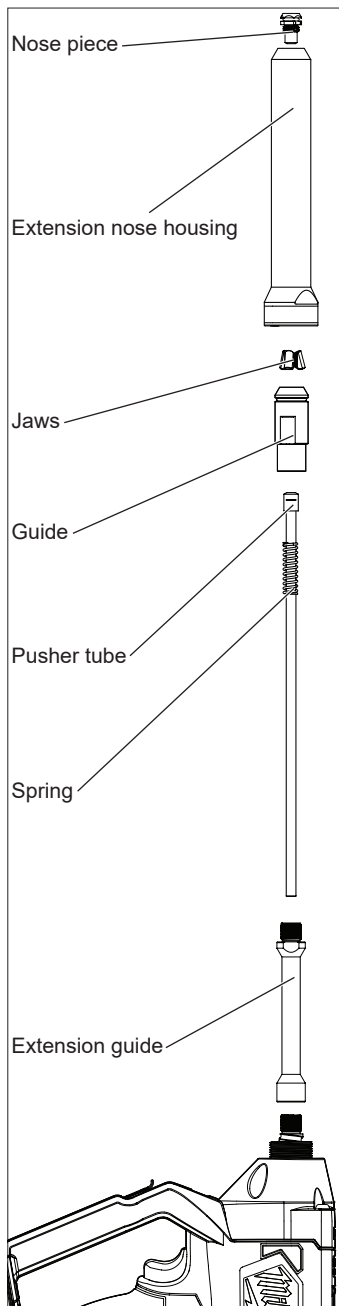
1. Remove battery pack.
2. Remove the standard length nose housing from the tool and the nose piece from the housing.
3. Remove the guide (with jaws), pusher tube, and spring from the tool. Retain all pieces for future use. The guide, jaws, and spring will be used in the extension reassembly.
4. Thread the extension guide onto the tool. Hand tighten securely.
5. Remove any dust or debris from the spring and insert into the extension guide.
6. Insert the extension pusher tube into the extension guide.
7. Remove any dust or debris from the guide and thread onto the extension guide. Ensure the jaws are properly seated in the guide.
8. Select the correct nose piece for the rivet to be installed. Insert the new nose piece into the nose housing extension. Use the tool's onboard wrench to hand-tighten securely.
9. Screw the nose housing extension onto the tool and hand-tighten securely.

Using the Rivet Tool

Use the rivet tool as directed in the tool's operator's manual.

Cleaning/Lubricating

Clean and lubricate as directed in the tool's operator's manual.



WARRANTY - AUSTRALIA and NEW ZEALAND

Please refer to Australian and New Zealand warranty supplied with tool. This warranty applies only to product sold by authorised dealers in Australia and New Zealand.

SERVICE - AUSTRALIA and NEW ZEALAND

MILWAUKEE® prides itself in producing a premium quality product that is Nothing But Heavy Duty™. Your satisfaction with our products is very important to us! If you encounter any problems with the operation of this tool, please contact your authorised **MILWAUKEE®** dealer.

For a list of **MILWAUKEE®** dealers, guarantee or service agents please contact **MILWAUKEE®** Customer Service or visit our website.

(Australia Toll Free Telephone Number 1300 645 928)

(New Zealand Toll Free Telephone Number 0800 645 928)

or visit milwaukeetool.com.au/milwaukeetool.co.nz.

Milwaukee Electric Tool Corporation

13135 West Lisbon Road, Brookfield, Wisconsin U.S.A. 53005

Milwaukee Tool (Australia)

21 Kelletts Road, Rowville, VIC 3178
Melbourne, Australia

Milwaukee Tool (New Zealand)

274 Church Street, Penrose,
Auckland, 1061, New Zealand

DESIGNED BY MILWAUKEE ELECTRIC TOOL CORP.
PROFESSIONALLY MADE IN CHINA
PRINTED IN CHINA