



OPERATOR'S MANUAL



Cat. No.
M18 BLPSHT

M18™ BRUSHLESS TELESCOPING POLE PRUNING SHEARS



To reduce the risk of injury, user must read and understand operator's manual.

GENERAL POWER TOOL SAFETY WARNINGS

⚠WARNING Read all safety warnings, instructions, illustrations and specifications provided with this power tool. Failure to follow all instructions listed below may result in electric shock, fire and/or serious injury. **Save all warnings and instructions for future reference.** The term "power tool" in the warnings refers to your mains-operated (corded) power tool or battery-operated (cordless) power tool.

WORK AREA SAFETY

- **Keep work area clean and well lit.** Cluttered or dark areas invite accidents.
- **Do not operate power tools in explosive atmospheres, such as in the presence of flammable liquids, gases or dust.** Power tools create sparks which may ignite the dust or fumes.
- **Keep children and bystanders away while operating a power tool.** Distractions can cause you to lose control.

ELECTRICAL SAFETY

- **Power tool plugs must match the outlet. Never modify the plug in any way. Do not use any adapter plugs with earthed (grounded) power tools.** Unmodified plugs and matching outlets will reduce risk of electric shock.
- **Avoid body contact with earthed or grounded surfaces, such as pipes, radiators, ranges and refrigerators.** There is an increased risk of electric shock if your body is earthed or grounded.
- **Do not expose power tools to rain or wet conditions.** Water entering a power tool will increase the risk of electric shock.
- **Do not abuse the cord. Never use the cord for carrying, pulling or unplugging the power tool. Keep cord away from heat, oil, sharp edges or moving parts.** Damaged or entangled cords increase the risk of electric shock.
- **When operating a power tool outdoors, use an extension cord suitable for outdoor use.** Use of a cord suitable for outdoor use reduces the risk of electric shock.
- **If operating a power tool in a damp location is unavoidable, use a residual current device (RCD) protected supply.** Use of a RCD reduces the risk of electric shock.

PERSONAL SAFETY

- **Stay alert, watch what you are doing and use common sense when operating a power tool. Do not use a power tool while you are tired or under the influence of drugs, alcohol or medication.** A moment of inattention while operating power tools may result in serious personal injury.
- **Use personal protective equipment. Always wear eye protection.** Protective equipment such as a dust mask, non-skid safety shoes, hard hat or hearing protection used for appropriate conditions will reduce personal injuries.
- **Prevent unintentional starting. Ensure the switch is in the off-position before connecting to power source and/or battery pack, picking up or carrying the tool.** Carrying power tools with your finger on the switch or energising power tools that have the switch on invites accidents.

- **Remove any adjusting key or wrench before turning the power tool on.** A wrench or a key left attached to a rotating part of the power tool may result in personal injury.
- **Do not overreach. Keep proper footing and balance at all times.** This enables better control of the power tool in unexpected situations.
- **Dress properly. Do not wear loose clothing or jewellery. Keep your hair and clothing away from moving parts.** Loose clothes, jewellery or long hair can be caught in moving parts.
- **If devices are provided for the connection of dust extraction and collection facilities, ensure these are connected and properly used.** Use of dust collection can reduce dust-related hazards.
- **Do not let familiarity gained from frequent use of tools allow you to become complacent and ignore tool safety principles.** A careless action can cause severe injury within a fraction of a second.

POWER TOOL USE AND CARE

- **Do not force the power tool. Use the correct power tool for your application.** The correct power tool will do the job better and safer at the rate for which it was designed.
- **Do not use the power tool if the switch does not turn it on and off.** Any power tool that cannot be controlled with the switch is dangerous and must be repaired.
- **Disconnect the plug from the power source and/or remove the battery pack, if detachable, from the power tool before making any adjustments, changing accessories, or storing power tools.** Such preventive safety measures reduce the risk of starting the power tool accidentally.
- **Store idle power tools out of the reach of children and do not allow persons unfamiliar with the power tool or these instructions to operate the power tool.** Power tools are dangerous in the hands of untrained users.
- **Maintain power tools and accessories. Check for misalignment or binding of moving parts, breakage of parts and any other condition that may affect the power tool's operation.** If damaged, have the power tool repaired before use. Many accidents are caused by poorly maintained power tools.
- **Keep cutting tools sharp and clean.** Properly maintained cutting tools with sharp cutting edges are less likely to bind and are easier to control.
- **Use the power tool, accessories and tool bits etc. in accordance with these instructions, taking into account the working conditions and the work to be performed.** Use of the power tool for operations different from those intended could result in a hazardous situation.
- **Keep handles and grasping surfaces dry, clean and free from oil and grease.** Slippery handles and grasping surfaces do not allow for safe handling and control of the tool in unexpected situations.

BATTERY TOOL USE AND CARE

- **Recharge only with the charger specified by the manufacturer.** A charger that is suitable for one type of battery pack may create a risk of fire when used with another battery pack.
- **Use power tools only with specifically designated battery packs.** Use of any other battery packs may create a risk of injury and fire.
- **When battery pack is not in use, keep it away from other metal objects, like paper clips, coins, keys, nails, screws or other small metal objects,**

that can make a connection from one terminal to another. Shorting the battery terminals together may cause burns or a fire.

- **Under abusive conditions, liquid may be ejected from the battery; avoid contact. If contact accidentally occurs, flush with water. If liquid contacts eyes, additionally seek medical help.** Liquid ejected from the battery may cause irritation or burns.
- **Do not use a battery pack or tool that is damaged or modified.** Damaged or modified batteries may exhibit unpredictable behaviour resulting in fire, explosion or risk of injury.
- **Do not expose a battery pack or tool to fire or excessive temperature.** Exposure to fire or temperature above 130°C (265°F) may cause explosion.
- **Follow all charging instructions and do not charge the battery pack or tool outside the temperature range specified in the instructions.** Charging improperly or at temperatures outside the specified range may damage the battery and increase the risk of fire.

SERVICE

- **Have your power tool serviced by a qualified repair person using only identical replacement parts.** This will ensure that the safety of the power tool is maintained.
- **Never service damaged battery packs.** Service of battery packs should only be performed by the manufacturer or authorised service providers.

SPECIFIC SAFETY RULES FOR SHEARS

Pruning shears safety warnings:

⚠ DANGER Do not operate near electrical power lines. The unit has not been designed to provide protection from electric shock in the event of contact with overhead electric lines. Consult local regulations for safe distances from overhead electric power lines and ensure that the operating position is safe before operating the pruning shears.

⚠ DANGER Keep all parts of the body away from the blade. Do not remove cut material or hold material to be cut when blades are moving. Blades continue to move after the switch is turned off. A moment of inattention while operating the pruning shears may result in serious personal injury.

- **Do not use the pruning shears in bad weather conditions, especially when there is a risk of lightning.** This decreases the risk of being struck by lightning.
- **Keep all power cords and cables away from cutting area.** Power cords or cables may be hidden in hedges or bushes and can be accidentally cut by the blade.
- **Wear ear protection.** Adequate protective equipment will reduce the risk of hearing loss.
- **Hold the pruning shears by insulated gripping surfaces only, because the blade may contact hidden wiring.** Blades contacting a "live" wire may make exposed metal parts of the pruning shears "live" and could give the operator an electric shock.
- **When clearing jammed material or servicing the pruning shears, make sure all power switches are off and the battery pack is removed or**

disconnected. Unexpected actuation of the pruning shears while clearing jammed material or servicing may result in serious personal injury.

- **Carry the pruning shears by the handle with the blade closed and taking care not to operate any power switch.** Proper carrying of the pruning shears will decrease the risk of inadvertent starting and resultant personal injury from the blades.
- **When transporting or storing the pruning shears, always use the blade cover.** Proper handling of the pruning shears will decrease the risk of personal injury from the blades.
- **Always use head protection when operating the pruning shears overhead.** Falling debris can result in serious personal injury.
- **Always use two hands when operating the pruning shears.** Hold the pruning shears with both hands to avoid loss of control.
- **Do not wear multiple harnesses simultaneously.**
- **Keep hands and loose clothing away from all cutting edges and moving parts.**
- **To reduce the risk of injury, always wear proper eye protection marked to comply with AS/NZS 1337.1.**

- **To reduce the risk of injury, replace dull, chipped, or damaged blades.**
- **To reduce the risk of explosion, electric shock, and property damage, never cut gas lines, electrical lines, or water lines.**
- **To reduce the risk of electric shock, check work area for hidden pipes and wires before pruning.**
- **To reduce the risk of injury, check hedges and bushes for foreign objects before pruning.**
- **Do not operate in a tree, on a ladder, rooftop, or scaffold unless properly trained.** To avoid death or serious injury, operator must be trained in safe climbing techniques and in the use of all appropriate safety equipment.
- **Cut only materials made from wood, no sheet metal, no plastics, no masonry, and no non-wood building materials.**
- **Never cut any plant material with a diameter larger than 44 mm.** The tool may stall.
- **Do not use any attachments or accessories not recommended by the manufacturer.** The use of attachments or accessories not recommended can result in serious personal injury.
- **⚠ WARNING** To reduce the risk of injury, when working in dusty situations, wear appropriate respiratory protection or use a suitable dust extraction solution.
- **Always wear eye and hearing protection, and protective clothing and footwear, according to the operation being performed. Wear heavy, long pants, long sleeves, boots, and gloves. Contain long hair.** Do not wear loose clothing or jewellery. Do not wear short pants, sandals, or go barefoot.

•Always use common sense and be cautious when using tools. Contain long hair. It is not possible to anticipate every situation that could result in a dangerous outcome. Do not use this tool if you do not understand these operating instructions or you feel the work is beyond your capability; contact MILWAUKEE® Tool or a trained professional for additional information or training.

•Maintain labels and nameplates. These carry important information. If unreadable or missing, contact a MILWAUKEE® service facility for a replacement.

AWARNING Some dust created by power sanding, sawing, grinding, drilling, and other construction activities contains chemicals known to cause cancer, birth defects or other reproductive harm. Some examples of these chemicals are:

- lead from lead-based paint
- crystalline silica from bricks and cement and other masonry products, and
- arsenic and chromium from chemically-treated lumber.

Your risk from these exposures varies, depending on how often you do this type of work. To reduce your exposure to these chemicals: work in a well ventilated area, and work with approved safety equipment, such as those dust masks that are specially designed to filter out microscopic particles.

READ AND SAVE ALL INSTRUCTIONS FOR FUTURE USE

ADDITIONAL BATTERY SAFETY RULES

AWARNING To reduce the risk of fire, personal injury, and product damage due to a short circuit, never immerse your tool, battery pack or charger in fluid or allow a fluid to flow inside them. Corrosive or conductive fluids, such as seawater, certain industrial chemicals, and bleach or bleach-containing products, etc., can cause a short circuit.

AWARNING Do not charge non-rechargeable batteries.

SPECIFICATIONS


Cat. No.	M18 BLPSHT
Volts.....	18 V DC
Battery Type	M18™
Charger Type.....	M18™
Collapsed Pole Length	2130 mm
Maximum Extended Pole Length.....	3050 mm
Maximum Cutting Capacity.....	44 mm
Replacement Blade Cat. No.	48442770
Recommended Ambient Operating Temperature.....	-17°C to 51°C

SYMBOLGY


 Volts


 Direct Current


 Safety Alert Symbol


 Read Operator's Manual

AWARNING Keep hands away from all cutting edges and moving parts. Blades are sharp. Laceration and amputation can occur.

 Keep tool at least 15 m away from electric power lines.

 Keep bystanders at least 15 m away during use.

 Always wear eye protection and use proper personal protective equipment.

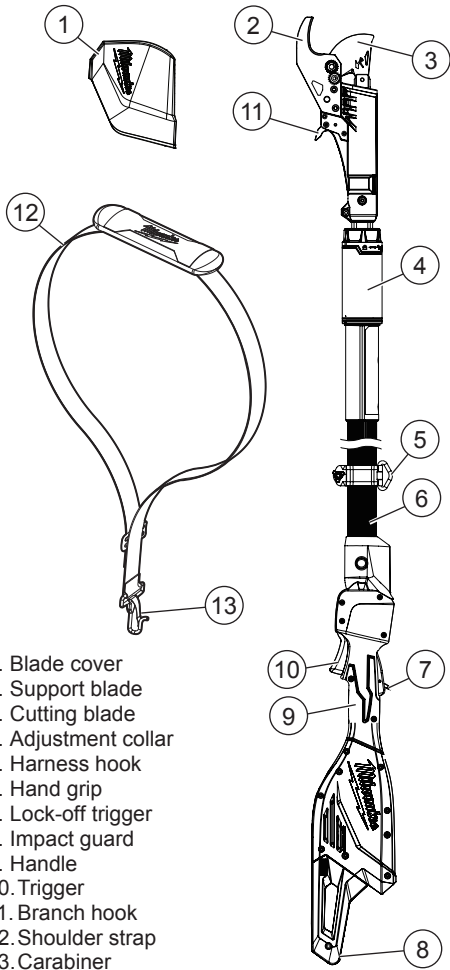
 Do not expose to rain or use in damp locations.

 Regulatory Compliance Mark (RCM). This product meets applicable regulatory requirements.

Do not dispose of electric tools together with household waste material. Electric tools and electronic equipment that have reached the end of their life must be collected separately and returned to an environmentally compatible recycling facility.



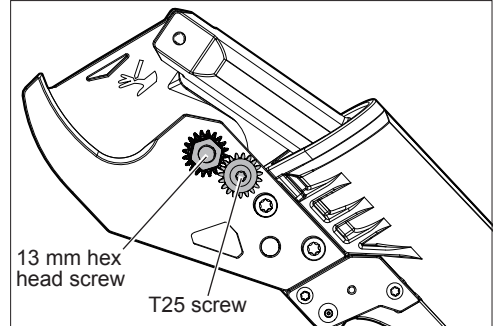
FUNCTIONAL DESCRIPTION



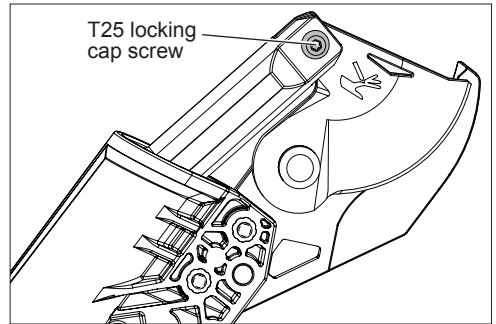
Removing/Installing the Cutting Blade
Replace the blade when it becomes dull or chipped. A blade is dull when the blade edge appears rounded or damaged.

Use only MILWAUKEE® blade Cat. No. 48442770.
⚠WARNING Blade is sharp. Keep hands away from cutting edge. Laceration can occur.

1. Close the blades. The cutting edge of the blade should be covered by the lower jaw.
2. **⚠WARNING** Remove battery to avoid starting the tool.
3. To **remove** blade, use a srench to first loosen the T25 screw, then the 13 mm hex head screw. Remove 13mm hex nut.



4. Remove the T25 locking cap screw. Remove locking screw. Remove bolt and washer that the hex nut was attached to.



5. Pull blade out of slot.
6. To **install** blade, push blade into slot lining up the holes.
7. Replace and tighten, in order, the T25 locking cap screw, the 13 mm hex head screw, bolt and washer, and T25 screw. This will secure the blade in place. For best results, after installation of a new locking cap screw allow 24 hours for the threadlocker to cure before using the tool.

ASSEMBLY

⚠WARNING Recharge only with the charger specified for the battery. For specific charging instructions, read the operator's manual supplied with your charger and battery.

Inserting/Removing the Battery

To **insert** the battery, slide the pack into the body of the tool. Make sure it latches securely into place.

⚠WARNING Only use accessories specifically recommended for this tool. Others may be hazardous.

To **remove** the battery, push in the release buttons and pull the battery pack away from the tool.

⚠WARNING Always remove the battery pack any time the tool is not in use.

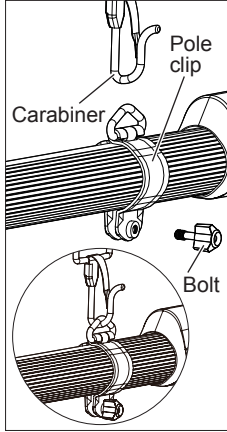
Attaching the Shoulder Strap

(Available as a spare part. Cat. No. 204350021)

Use the shoulder strap to reduce user fatigue and help in maintaining control of the tool during use.

To **install** the strap:

1. **⚠WARNING** Remove battery to avoid starting the tool.
2. Fit the pole clip around the hand grip and rear handle in a location comfortable during use.
3. Insert the bolt through the pole clip and strap bevel. Thread the nut onto the bolt and tighten securely.
4. Clip the strap carabiner to the bevel.



To **wear** the strap:

1. Put your right arm and head through the strap.
2. Adjust the strap clips to change the strap length to fit comfortably.
3. Slide the neck pad to the appropriate position.

To **unclip** the strap:

1. Hold the tool by the hand grip with your left hand.
2. Grip the carabiner with your right hand and unclip by pushing in the gate and it sliding off the bevel.

Transporting Tool

⚠WARNING Carry the tool by the hand grip to avoid accidental starting. Proper handling of the tool will prevent injury.

Before transporting, always:

1. **⚠WARNING** Remove battery to avoid starting the tool.
2. Place the blade cover over the blades.

OPERATION

⚠DANGER Never cut near power lines, electric cords, or other electric sources. Keep tool at least 15 m away from electric power lines. If blades jam on any electrical cord or line, **DO NOT TOUCH THE BLADES! THEY CAN BECOME ELECTRICALLY LIVE AND VERY DANGEROUS.** Continue to hold the tool by the insulated rear handle or lay it down and away from you in a safe manner. Disconnect the electrical service to the damaged line or cord before attempting to free the blades from the line or cord. Contact with the blades or other conductive parts of the tool or live electric cords or lines will result in death by electrocution, electric shock, or serious personal injury.

⚠WARNING To reduce the risk of injury, always wear proper eye protection marked to comply with AS/NZS 1337.1.

- Always wear eye protection with side shield, as well as head and hearing protection. Failure to do so could result in objects being thrown into your eyes and other possible serious injuries.
- Do not overreach. Do not cut with right hand holding tool above shoulder height. Make sure your footing is firm. Keep feet apart. Divide your weight evenly on both feet.

- Do not allow familiarity with this product to make you careless. Remember that a careless fraction of a second is sufficient to inflict serious injury.

- Use a firm grip with your left hand on the hand grip and your right hand on the rear handle so that your body is to the left of the cutting blade.

- Never use a cross-handed grip (left hand on the rear handles and right hand on the hand grip).

- Never operate while in a tree, in any awkward position or on a ladder or other unstable surface. You may lose control of tool causing severe injury.

- When not in use always remove the battery.

- Always remove battery pack before changing or removing accessories specifically recommended for this tool. Others may be hazardous.

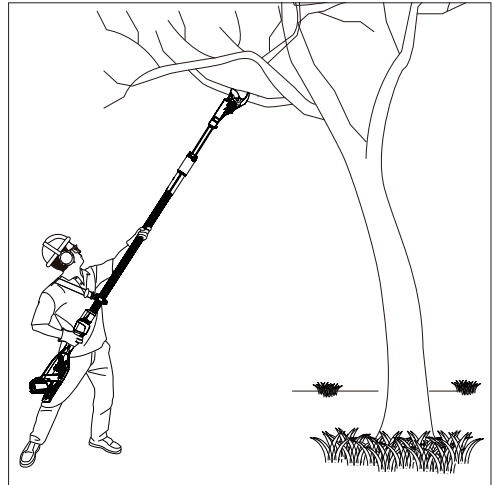
- Do not use any attachments or accessories not recommended by the manufacturer. The use of attachments or accessories not recommended can result in serious personal injury.

- To reduce the risk of explosion, electric shock, and property damage, never cut gas lines, electrical lines, or water lines.

- To reduce the risk of injury, always move blades to the fully closed position before storing and any time the shears are not in use.

- Blades are sharp. Keep hands away from all cutting edges. Laceration and amputation can occur.

Proper Cutting Stance



⚠WARNING Always use the proper cutting stance described in this section. Never kneel when using the tool. Kneeling could result in loss of stability and control of the tool resulting in serious personal injury.

- Weight should be balanced with both feet on solid ground.

- Your body should always be to the left of the tool.

General Operation

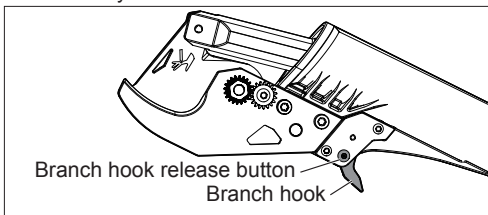
1. Always make sure the locking devices of any moving elements, such as the extended shaft, are in the locked position before use.
2. Always remove the blade cover before use.
3. Insert the battery pack.
4. Grip the tool securely with both hands.
5. Place material in between the cutting blade and support blade.
6. Hold the lock-off trigger and push the trigger to make a cut.
7. To close the blades, press and hold the trigger until the blades have closed, then let go of the lock-off trigger.
8. Place blade cover on tool.

Always close the blades and remove the battery pack any time the tool is not in use.

Using the Branch Hook

To **open** the branch hook, pull the branch hook open and press the branch hook release button to lock the branch hook in place.

To **close** the branch hook, press the branch hook release button and the branch hook will automatically close.



Storage

1. To close the blades and put the tool into sleep mode for storage, press and hold the trigger for three or more seconds, then release the trigger.
2. Remove the battery pack.
3. Clean debris and place blade cover on tool. Make sure the blade cover is properly installed.
4. Store in a dry, cool place.

APPLICATIONS

▲WARNING To reduce the risk of electric shock, check work area for hidden pipes and wires before pruning.

To reduce the risk of injury, check hedges and bushes for foreign objects before pruning.

Pruning

Pruning shears are intended to be used on trees, bushes, and plant branches 44 mm or less in diameter.

Work Area Precautions

- Cut only materials made from wood.
- Do not cut sheet metal, plastics, masonry, and non-wood building materials.
- Never allow children to operate the shears. Allow no person to use these pruning shears who has not read this operator's manual or received adequate instructions for the safe and proper use of these pruning shears.
- Always cut with both feet on a solid surface to prevent being pulled off balance.
- Do not cut from a ladder, this is extremely dangerous. Leave this operation for professionals.

- Do not cross arms or overreach.
- Always cut away from yourself.
- Do not prune near electrical wires or buildings. Leave this operation for professionals.
- Cut only when visibility and light are adequate for you to see clearly.
- Check the work area for hazards such as bees, rodents, snakes, etc., that may live in trees or brush.

MAINTENANCE

▲WARNING To reduce the risk of injury, always unplug the charger and remove the battery pack from the charger or tool before performing any maintenance. Never disassemble the battery pack, charger, or tool, except as provided in these instructions. Contact a MILWAUKEE® service facility for ALL repairs.

Maintaining Tool

Keep your tool, battery pack and charger in good repair by adopting a regular maintenance program. Inspect your tool for issues such as undue noise, misalignment or binding of moving parts, breakage of parts, or any other condition that may affect the tool operation. Return the tool, battery pack, and charger to a MILWAUKEE® service facility for repair. After six months to one year, depending on use, return the tool, battery pack and charger to a MILWAUKEE® service facility for inspection. If the tool does not start or operate at full power with a fully charged battery pack, clean the contacts on the battery pack. If the tool still does not work properly, return the tool, charger and battery pack, to a MILWAUKEE® service facility for repairs.

Cleaning

Clean dust and debris from vents. Keep handles clean, dry and free of oil or grease. Use only mild soap and a damp cloth to clean, since certain cleaning agents and solvents are harmful to plastics and other insulated parts. Some of these include petrol, turpentine, lacquer thinner, paint thinner, chlorinated cleaning solvents, ammonia and household detergents containing ammonia. Never use flammable or combustible solvents around tools.

Repairs

For repairs, return the tool, battery pack and charger to the nearest authorised service centre.

ACCESSORIES

▲WARNING Use only recommended accessories. Others may be hazardous.

For a complete listing of accessories, go online to milwaukeetool.com.au / milwaukeetool.co.nz or contact a distributor.

WARRANTY - AUSTRALIA and NEW ZEALAND

Please refer to Australian and New Zealand warranty supplied with tool. This warranty applies only to product sold by authorised dealers in Australia and New Zealand.

SERVICE - AUSTRALIA and NEW ZEALAND

MILWAUKEE® prides itself in producing a premium quality product that is Nothing But Heavy Duty™. Your satisfaction with our products is very important to us! If you encounter any problems with the operation of this tool, please contact your authorised **MILWAUKEE®** dealer.

For a list of **MILWAUKEE®** dealers, guarantee or service agents please contact **MILWAUKEE®** Customer Service or visit our website.

(Australia Toll Free Telephone Number 1300 645 928)

(New Zealand Toll Free Telephone Number 0800 645 928)

or visit milwaukeetool.com.au/milwaukeetool.co.nz.

Milwaukee Electric Tool Corporation

13135 West Lisbon Road, Brookfield, Wisconsin U.S.A. 53005

Milwaukee Tool (Australia)

26 - 40 Nina Link, Dandenong South,
Victoria, 3175, Australia

Milwaukee Tool (New Zealand)

274 Church Street, Penrose,
Auckland, 1061, New Zealand

DESIGNED BY MILWAUKEE ELECTRIC TOOL CORP.

PROFESSIONALLY MADE IN CHINA

PRINTED IN CHINA