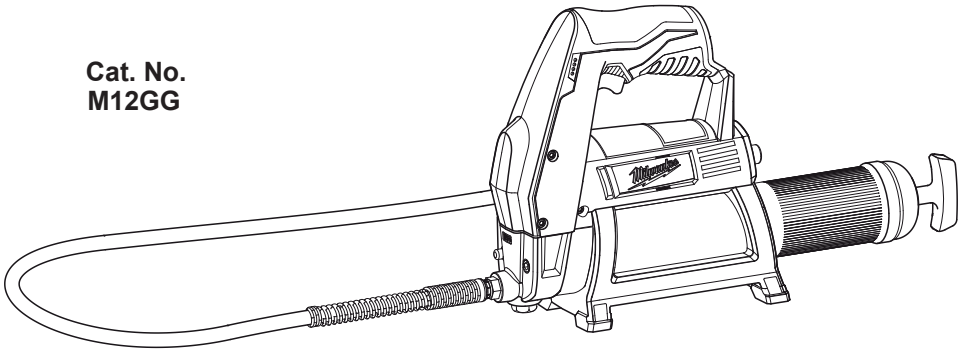




OPERATOR'S MANUAL

Cat. No.
M12GG



M12™ CORDLESS GREASE GUN 400ML

TO REDUCE THE RISK OF INJURY, USER MUST READ AND UNDERSTAND OPERATOR'S MANUAL.

GENERAL POWER TOOL SAFETY WARNINGS



WARNING READ ALL SAFETY WARNINGS AND ALL INSTRUCTIONS.

Failure to follow the warnings and instructions may result in electric shock, fire and/or serious injury. **Save all warnings and instructions for future reference.** The term "power tool" in the warnings refers to your mains-operated (corded) power tool or battery-operated (cordless) power tool.

WORK AREA SAFETY

- **Keep work area clean and well lit.** Cluttered or dark areas invite accidents.
- **Do not operate power tools in explosive atmospheres, such as in the presence of flammable liquids, gases or dust.** Power tools create sparks which may ignite the dust or fumes.
- **Keep children and bystanders away while operating a power tool.** Distractions can cause you to lose control.

ELECTRICAL SAFETY

- **Power tool plugs must match the outlet. Never modify the plug in any way. Do not use any adapter plugs with earthed (grounded) power tools.** Unmodified plugs and matching outlets will reduce risk of electric shock.
- **Avoid body contact with earthed or grounded surfaces such as pipes, radiators, ranges and refrigerators.** There is an increased risk of electric shock if your body is earthed or grounded.
- **Do not expose power tools to rain or wet conditions.** Water entering a power tool will increase the risk of electric shock.
- **Do not abuse the cord. Never use the cord for carrying, pulling or unplugging the power tool. Keep cord away from heat, oil, sharp edges or moving parts.** Damaged or entangled cords increase the risk of electric shock.
- **When operating a power tool outdoors, use an extension cord suitable for outdoor use.** Use of a cord suitable for outdoor use reduces the risk of electric shock.
- **If operating a power tool in a damp location is unavoidable, use a residual current device (RCD) protected supply.** Use of an RCD reduces the risk of electric shock.

PERSONAL SAFETY

- **Stay alert, watch what you are doing and use common sense when operating a power tool. Do not use a power tool while you are tired or under the influence of drugs, alcohol or medication.** A moment of inattention while operating power tools may result in serious personal injury.
- **Use personal protective equipment. Always wear eye protection.** Protective equipment such as dust mask, non-skid safety shoes, hard hat, or hearing protection used for appropriate conditions will reduce personal injuries.
- **Prevent unintentional starting. Ensure the switch is in the off-position before connecting to power source and/or battery pack, picking up or carrying the tool.** Carrying power tools with your finger on the switch or energising power tools that have the switch on invites accidents.
- **Remove any adjusting key or wrench before turning the power tool on.** A wrench or a key left

attached to a rotating part of the power tool may result in personal injury.

- **Do not overreach. Keep proper footing and balance at all times.** This enables better control of the power tool in unexpected situations.
- **Dress properly. Do not wear loose clothing or jewellery. Keep your hair, clothing and gloves away from moving parts.** Loose clothes, jewellery or long hair can be caught in moving parts.
- **If devices are provided for the connection of dust extraction and collection facilities, ensure these are connected and properly used.** Use of dust collection can reduce dust-related hazards.

POWER TOOL USE AND CARE

- **Do not force the power tool. Use the correct power tool for your application.** The correct power tool will do the job better and safer at the rate for which it was designed.
- **Do not use the power tool if the switch does not turn it on and off.** Any power tool that cannot be controlled with the switch is dangerous and must be repaired.
- **Disconnect the plug from the power source and/or the battery pack from the power tool before making any adjustments, changing accessories, or storing power tools.** Such preventive safety measures reduce the risk of starting the power tool accidentally.
- **Store idle power tools out of the reach of children and do not allow persons unfamiliar with the power tool or these instructions to operate the power tool.** Power tools are dangerous in the hands of untrained users.
- **Maintain power tools. Check for misalignment or binding of moving parts, breakage of parts and any other condition that may affect the power tool's operation. If damaged, have the power tool repaired before use.** Many accidents are caused by poorly maintained power tools.
- **Keep cutting tools sharp and clean.** Properly maintained cutting tools with sharp cutting edges are less likely to bind and are easier to control.
- **Use the power tool, accessories and tool bits etc., in accordance with these instructions, taking into account the working conditions and the work to be performed.** Use of the power tool for operations different from those intended could result in a hazardous situation.

BATTERY TOOL USE AND CARE

- **Recharge only with the charger specified by the manufacturer.** A charger that is suitable for one type of battery pack may create a risk of fire when used with another battery pack.
- **Use power tools only with specifically designated battery packs.** Use of any other battery packs may create a risk of injury and fire.

- When battery pack is not in use, keep it away from other metal objects like paper clips, coins, keys, nails, screws, or other small metal objects that can make a connection from one terminal to another. Shorting the battery terminals together may cause burns or a fire.
- Under abusive conditions, liquid may be ejected from the battery; avoid contact. If contact accidentally occurs, flush with water. If liquid contacts eyes, additionally seek medical help. Liquid ejected from the battery may cause irritation or burns.

SERVICE

- Have your power tool serviced by a qualified repair person using only identical replacement parts. This will ensure that the safety of the power tool is maintained.

SPECIFIC SAFETY RULES

- High pressure can cause some tool parts or hose assembly to rupture, posing a risk of injection injury and/or amputation. Inspect tool and hose assembly for damage or wear before each use. Do not use if damaged or worn.
- Do not operate without proper safety apparel, including eye protection marked to comply with standards (Australian standard – AS/NZS 1337; European standard – CE EN166; American standard – ANSI Z87.1), and gloves.

- Hold Hose Assembly by spring strain relief to avoid kinking the hose.
- Grease and lubricants may be flammable. Do not expose to flame or heat source. Follow all warnings and instructions from grease and lubricant manufacturer.
- Maintain labels and nameplates. These carry important information. If unreadable or missing, contact a MILWAUKEE® service facility for a replacement.
- WARNING: Some dust created by power sanding, sawing, grinding, drilling, and other construction activities contains chemicals known to cause cancer, birth defects or other reproductive harm. Some examples of these chemicals are:
 - lead from lead-based paint
 - crystalline silica from bricks and cement and other masonry products, and
 - arsenic and chromium from chemically-treated lumber.
 Your risk from these exposures varies, depending on how often you do this type of work. To reduce your exposure to these chemicals: work in a well ventilated area, and work with approved safety equipment, such as those dust masks that are specially designed to filter out microscopic particles.

SPECIFICATIONS

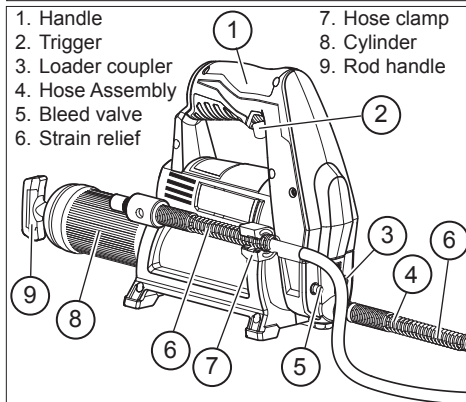
Cat. No.	Volts DC	Max. Operating Pressure	Flow Rate *	Cylinder Capacity	Hose Rating
M12 GG	12	8150 psi 562 bar	74 g/min (2.6 oz./min) at 1000 psi	454 g (16 oz) Bulk 400 ml (14.5 oz) Cartridge	10,000 psi 690 bar

* Using MILWAUKEE® XC battery pack.

SYMBOLOLOGY

	Direct Current
psi	Pounds per Square Inch

FUNCTIONAL DESCRIPTION



ASSEMBLY

WARNING Recharge only with the charger specified for the battery. For specific charging instructions, read the operator's manual supplied with your charger and battery.

Inserting/Removing the Battery

To **remove** the battery, push in the release buttons and pull the battery pack away from the tool.
To **insert** the battery, slide the pack into the body of the tool. Make sure it latches securely into place.

OPERATION

⚠ WARNING Always remove battery pack before changing or removing accessories. Only use accessories specifically recommended for this tool. Others may be hazardous.

⚠ WARNING To reduce the risk of injury, wear safety goggles or glasses with side shields.

Fuel Gauge

To determine the amount of charge left in the battery, pull the trigger. The Fuel Gauge will light up for 2-3 seconds.

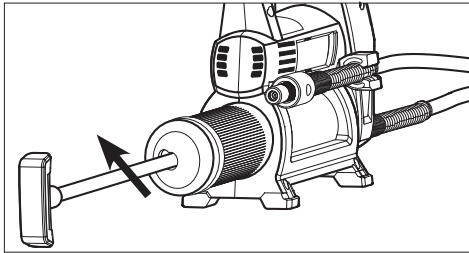
To signal the end of charge, 1 light on the fuel gauge will flash for 2-3 seconds.

Installing a Fitting/Coupler

Screw the appropriate coupler to the end of the hose assembly. Use only accessories rated for at least 10,000 psi (690 bar).

Grease Cartridge Loading

1. Remove the battery pack.
2. Pull back the rod, and push it sideways into the retaining slot. Ensure the rod is securely seated in the slot or it may spring back.



3. Unscrew and remove the cylinder.
4. Remove the cap from the cartridge.
5. Insert the cartridge, open end first, into the cylinder.
6. Remove the seal from the cartridge.
7. Screw the cylinder into the grease gun.
8. Release the rod from the retaining slot and press it completely into the cylinder.
9. Prime the grease gun according to "Priming the Grease Gun"

Bulk Grease Loading

Bulk grease can be loaded 2 ways, using the cylinder for suction loading, or using a pump to load grease through a coupler.

Suction Loading

1. Remove the battery pack.
2. Unscrew and remove the cylinder.
3. Insert the open end of the cylinder below the surface of the bulk grease.
4. Pull back the rod, and push it sideways into the retaining slot.
5. Remove the cylinder from the bulk grease.

6. Wipe excess grease from the outside of the cylinder and screw it into the grease gun.
7. Release the rod from the retaining slot and press it completely into the cylinder.
8. Prime the grease gun according to "Priming the Grease Gun"

⚠ WARNING To reduce the risk of injury, use only low pressure loader fittings. Excessive pressure can be caused by high pressure loader fittings.

Pump Loading

1. Remove the battery pack.
2. Pull back the rod and turn the rod handle to lock into the plunger. Release the rod/plunger. Do NOT push the rod into the retaining slot.
3. Insert the loader fitting into the grease gun loader coupler.

CAUTION To avoid damage to the grease gun and pump, the loader fitting **MUST** be compatible with the coupler and rated for at least 10,000 psi (690 bar).

4. Operate the loader pump until the rod has been pushed out of the cylinder approximately 200 mm (8").
5. Rotate the rod handle to release the plunger. Press the rod completely into the cylinder.
6. Prime the grease gun according to "Priming the Grease Gun"

Priming the Grease Gun


1. Insert battery pack.
2. Hold the hose assembly by the spring strain relief and point away from your body.
3. Pull the trigger for 3 seconds, release, and repeat until grease begins to flow from the fitting.
4. If after several attempts grease does not appear, manually prime the grease gun
 - a. Pull back the rod and turn the rod handle to lock into the plunger.
 - b. Press in the bleed valve while manually pressing in the rod.
 - c. Once grease begins to flow from the fitting, rotate the rod handle to release the plunger. Press the rod completely into the cylinder.

NOTE: This tool has been tested to factory standards, which results in a small amount of grease being left in the pump body, hose and coupler assembly. It is recommended that you purge this tool with the brand of grease you will be using before actual use.

Troubleshooting

Unable to pull back rod	Press the bleeder to release pressure
Unable to push rod forward	Rotate rod 90° to disengage it from plunger
No grease when trigger is pulled	Cylinder is empty, add grease
	Air pockets in the cylinder, prime the grease gun

MAINTENANCE

 **WARNING** To reduce the risk of injury, always unplug the charger and remove the battery pack from the charger or tool before performing any maintenance. Never disassemble the tool, battery pack or charger. Contact a **MILWAUKEE®** service facility for ALL repairs.


Maintaining Tool

Keep your tool, battery pack and charger in good repair by adopting a regular maintenance program. After six months to one year, depending on use, return the tool, battery pack and charger to a **MILWAUKEE®** service facility for:

Lubrication

- Mechanical inspection and cleaning (gears, spindles, bearings, housing, etc.)
- Electrical inspection (battery pack, charger, motor)
- Testing to assure proper mechanical and electrical operation

If the tool does not start or operate at full power with a fully charged battery pack, clean the contacts on the battery pack. If the tool still does not work properly, return the tool, charger and battery pack, to a **MILWAUKEE®** service facility for repairs.

 **WARNING** To reduce the risk of personal injury and damage, never immerse your tool, battery pack or charger in liquid or allow a liquid to flow inside them.


Cleaning

Clean dust and debris from charger and tool vents. Keep tool handles clean, dry and free of oil or grease. Use only mild soap and a damp cloth to clean the tool, battery pack and charger since certain cleaning agents and solvents are harmful to plastics and other insulated parts. Some of these include gasoline, turpentine, lacquer thinner, paint thinner, chlorinated cleaning solvents, ammonia and household detergents containing ammonia. Never use flammable or combustible solvents around tools.

Repairs

For repairs, return the tool, battery pack and charger to the nearest service center, please contact **MILWAUKEE®** Customer Service or visit our website. (Australia Toll Free Telephone Number 1300 645 928) (New Zealand Toll Free Telephone Number 0800 279 624) or visit www.milwaukeetools.com.au / www.milwaukeetools.co.nz

ACCESSORIES

 **WARNING** Always remove battery pack before changing or removing accessories. Only use accessories specifically recommended for this tool. Others may be hazardous.

For a complete listing of accessories, refer to your **MILWAUKEE®** electric tool catalogue or go online to www.milwaukeetools.com.au / www.milwaukeetools.co.nz
To obtain a catalogue, contact your local distributor or service center.

51 GHF5 @5 '5 B8 'B9K 'N95 @ B8 'K 5 FF5 BHM

Please refer to the Techtronic Industries Pty. Ltd. Warranty Terms and Conditions for **MILWAUKEE®** products and accessories which is supplied with the tool or kit. This warranty applies only to product purchased from an authorised **MILWAUKEE®** dealer in Australia or New Zealand.

51 GHF5 @5 '5 B8 'B9K 'N95 @ B8 'G9FJ-79 '

MILWAUKEE® prides itself in producing a premium quality product that is Nothing But Heavy Duty®. Your satisfaction with our products is very important to us! If you encounter any problems with the operation of this tool, please contact the store where the product was originally purchased or one of our authorised **MILWAUKEE®** service centres.

For a list of authorised **MILWAUKEE®** dealers or service centres please contact **MILWAUKEE®** Customer Service on:
Australia: 1300 MILWAUKEE (1300 645 928)
www.milwaukeetools.com.au
New Zealand: 0800 279 624
www.milwaukeetools.co.nz

Milwaukee Electric Tool Corporation

13135 West Lisbon Road, Brookfield, Wisconsin U.S.A. 53005

Milwaukee Electric Tool Corporation (Australia)

Techtronic Industries (Australia) Pty. Ltd.
Doncaster, Victoria, Australia, 3108

Milwaukee Electric Tool Corporation (New Zealand)

Techtronic Industries (New Zealand) Pty. Ltd.
Mangere, Auckland, New Zealand, 2022

Professionally made in China for Milwaukee Electric Tool Corporation