



RECIPROCATING SCISSOR BLADES

Cat. No.
49162799

IMPORTANT SAFETY INSTRUCTIONS

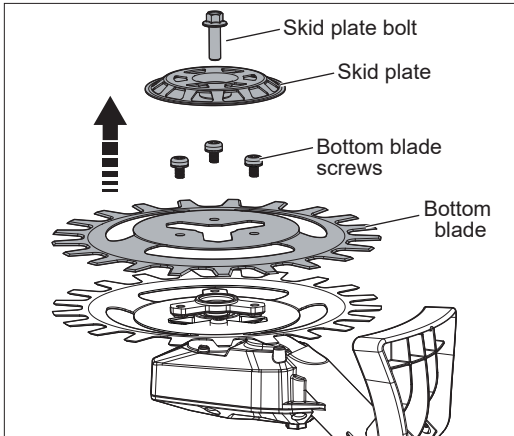
⚠ WARNING To reduce the risk of electric shock, fire and/or serious injury, read all safety warnings, instructions, illustrations, and specifications provided with this product, as well as those provided with the power tool, battery pack, and charger. Save all warnings and instructions for future reference. The term "power tool" in the warnings refers to your mains-operated (corded) power tool or battery-operated (cordless) power tool.

- **Blades are sharp.** Wear non-slip heavy duty gloves to improve your grip and to protect your hands.

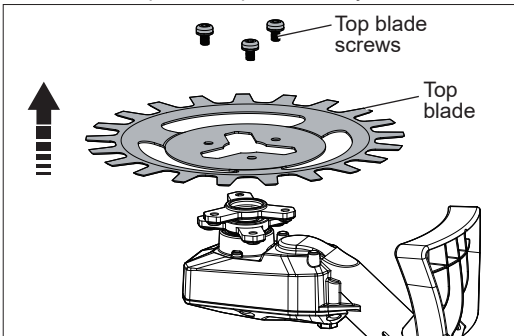
Removing/Installing the Blades

To **remove** the blades:

1. **⚠ WARNING** Remove battery to avoid starting the tool.
2. Position the tool so that you are facing the underside of the blade area.
3. Remove the skid plate bolt using a T30 wrench and pull the skid plate away from the tool.
4. Remove the three bottom blade screws using a T30 wrench and pull the bottom blade away from the tool.

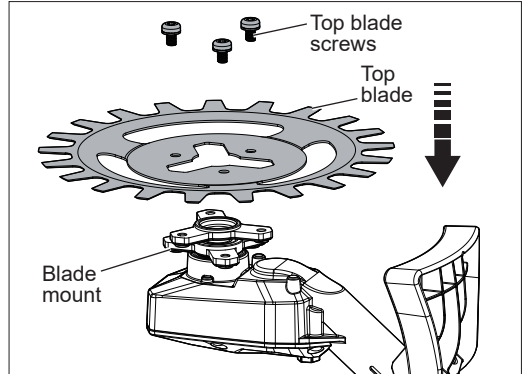


5. Remove the three top blade screws using a T30 wrench and pull the top blade away from the tool.

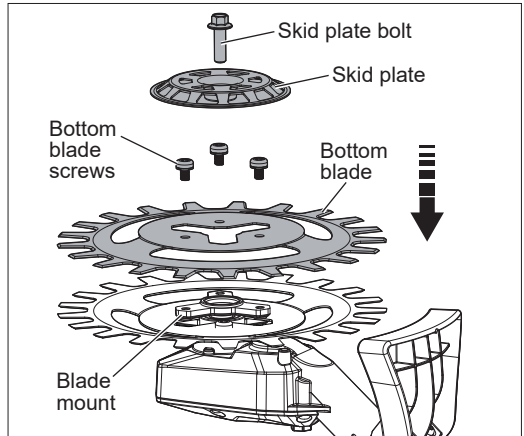


To **install** the blades:

1. **⚠ WARNING** Remove battery to avoid starting the tool.
2. Position the tool so that you are facing the underside of the blade area.
3. Place the top blade onto the blade mount. Install the three top blade screws using a T30 wrench to secure (tighten to about 6-7 Nm) the top blade to the blade mount.



4. Place the bottom blade onto the blade mount. Install the three bottom blade screws using a T30 wrench to secure (tighten to about 6-7 Nm) the bottom blade to the blade mount.
5. Place the skid plate on top of the centre of the bottom blade. Install the skid plate bolt using a T30 wrench to secure (tighten to about 18.6-20.5 Nm) the skid plate to the tool.



WARRANTY - AUSTRALIA and NEW ZEALAND

Please refer to Australian and New Zealand warranty supplied with tool. This warranty applies only to product sold by authorised dealers in Australia and New Zealand.

SERVICE - AUSTRALIA and NEW ZEALAND

MILWAUKEE® prides itself in producing a premium quality product that is Nothing But Heavy Duty™. Your satisfaction with our products is very important to us! If you encounter any problems with the operation of this tool, please contact your authorised **MILWAUKEE®** dealer.

For a list of **MILWAUKEE®** dealers, guarantee or service agents please contact **MILWAUKEE®** Customer Service or visit our website.

(Australia Toll Free Telephone Number 1300 645 928)

(New Zealand Toll Free Telephone Number 0800 645 928)

or visit milwaukeetool.com.au/milwaukeetool.co.nz.

Milwaukee Electric Tool Corporation

13135 West Lisbon Road, Brookfield, Wisconsin U.S.A. 53005

Milwaukee Tool (Australia)

26 - 40 Nina Link, Dandenong South,
Victoria, 3175, Australia

Milwaukee Tool (New Zealand)

274 Church Street, Penrose,
Auckland, 1061, New Zealand

DESIGNED BY MILWAUKEE ELECTRIC TOOL CORP.

PROFESSIONALLY MADE IN CHINA

PRINTED IN CHINA