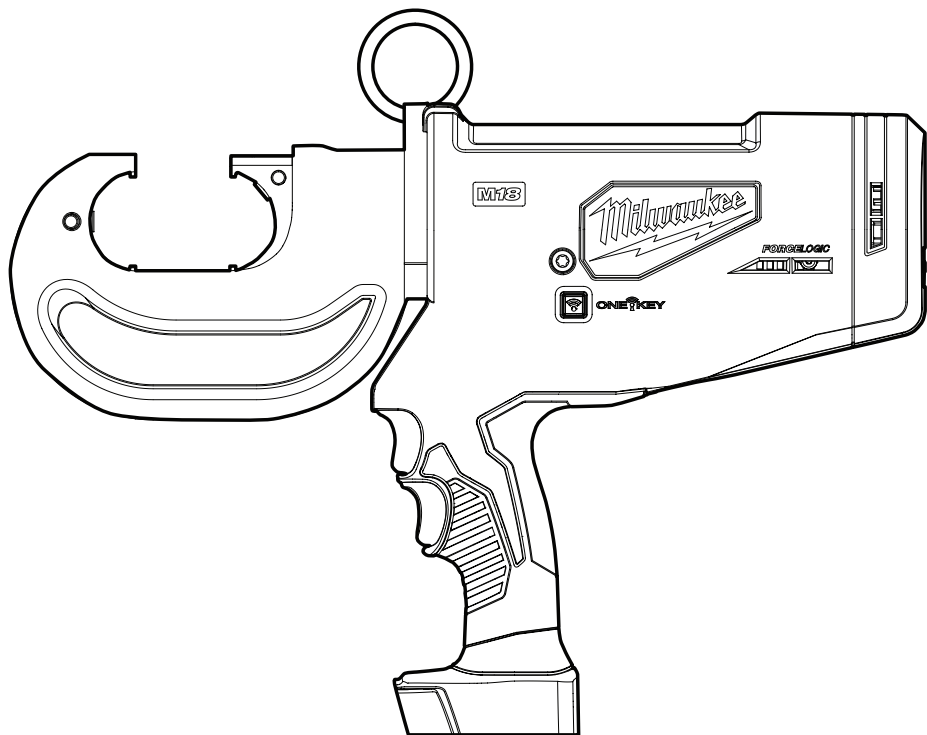




# OPERATOR'S MANUAL



Cat. No.  
**M18 HCCT109/42**

**M18™ FORCELOGIC™ 400mm<sup>2</sup> UTILITY CRIMPER**

 **WARNING**

To reduce the risk of injury, user must read and understand operator's manual.



## GENERAL POWER TOOL SAFETY WARNINGS

**⚠WARNING** Read all safety warnings, instructions, illustrations and specifications provided with this power tool. Failure to follow all instructions listed below may result in electric shock, fire and/or serious injury. **Save all warnings and instructions for future reference.** The term "power tool" in the warnings refers to your mains-operated (corded) power tool or battery-operated (cordless) power tool.

### WORK AREA SAFETY

- **Keep work area clean and well lit.** Cluttered or dark areas invite accidents.
- **Do not operate power tools in explosive atmospheres, such as in the presence of flammable liquids, gases or dust.** Power tools create sparks which may ignite the dust or fumes.
- **Keep children and bystanders away while operating a power tool.** Distractions can cause you to lose control.

### ELECTRICAL SAFETY

- **Power tool plugs must match the outlet. Never modify the plug in any way. Do not use any adapter plugs with earthed (grounded) power tools.** Unmodified plugs and matching outlets will reduce risk of electric shock.
- **Avoid body contact with earthed or grounded surfaces, such as pipes, radiators, ranges and refrigerators.** There is an increased risk of electric shock if your body is earthed or grounded.
- **Do not expose power tools to rain or wet conditions.** Water entering a power tool will increase the risk of electric shock.
- **Do not abuse the cord. Never use the cord for carrying, pulling or unplugging the power tool. Keep cord away from heat, oil, sharp edges or moving parts.** Damaged or entangled cords increase the risk of electric shock.
- **When operating a power tool outdoors, use an extension cord suitable for outdoor use.** Use of a cord suitable for outdoor use reduces the risk of electric shock.
- **If operating a power tool in a damp location is unavoidable, use a residual current device (RCD) protected supply.** Use of an RCD reduces the risk of electric shock.

### PERSONAL SAFETY

- **Stay alert, watch what you are doing and use common sense when operating a power tool. Do not use a power tool while you are tired or under the influence of drugs, alcohol or medication.** A moment of inattention while operating power tools may result in serious personal injury.
- **Use personal protective equipment. Always wear eye protection.** Protective equipment such as a dust mask, non-skid safety shoes, hard hat or hearing protection used for appropriate conditions will reduce personal injuries.
- **Prevent unintentional starting. Ensure the switch is in the off-position before connecting to power source and/or battery pack, picking up or carrying the tool.** Carrying power tools with your finger on the switch or energising power tools that have the switch on invites accidents.

- **Remove any adjusting key or wrench before turning the power tool on.** A wrench or a key left attached to a rotating part of the power tool may result in personal injury.
- **Do not overreach. Keep proper footing and balance at all times.** This enables better control of the power tool in unexpected situations.
- **Dress properly. Do not wear loose clothing or jewelry. Keep your hair and clothing away from moving parts.** Loose clothes, jewelry or long hair can be caught in moving parts.
- **If devices are provided for the connection of dust extraction and collection facilities, ensure these are connected and properly used.** Use of dust collection can reduce dust-related hazards.
- **Do not let familiarity gained from frequent use of tools allow you to become complacent and ignore tool safety principles.** A careless action can cause severe injury within a fraction of a second.

### POWER TOOL USE AND CARE

- **Do not force the power tool. Use the correct power tool for your application.** The correct power tool will do the job better and safer at the rate for which it was designed.
  - **Do not use the power tool if the switch does not turn it on and off.** Any power tool that cannot be controlled with the switch is dangerous and must be repaired.
  - **Disconnect the plug from the power source and/ or remove the battery pack, if detachable, from the power tool before making any adjustments, changing accessories, or storing power tools.** Such preventive safety measures reduce the risk of starting the power tool accidentally.
  - **Store idle power tools out of the reach of children and do not allow persons unfamiliar with the power tool or these instructions to operate the power tool.** Power tools are dangerous in the hands of untrained users.
  - **Maintain power tools and accessories. Check for misalignment or binding of moving parts, breakage of parts and any other condition that may affect the power tool's operation. If damaged, have the power tool repaired before use.** Many accidents are caused by poorly maintained power tools.
  - **Keep cutting tools sharp and clean.** Properly maintained cutting tools with sharp cutting edges are less likely to bind and are easier to control.
  - **Use the power tool, accessories and tool bits etc. in accordance with these instructions, taking into account the working conditions and the work to be performed.** Use of the power tool for operations different from those intended could result in a hazardous situation.
  - **Keep handles and grasping surfaces dry, clean and free from oil and grease.** Slippery handles and grasping surfaces do not allow for safe handling and control of the tool in unexpected situations.
- ### BATTERY TOOL USE AND CARE
- **Recharge only with the charger specified by the manufacturer.** A charger that is suitable for one type of battery pack may create a risk of fire when used with another battery pack.
  - **Use power tools only with specifically designated battery packs.** Use of any other battery packs may create a risk of injury and fire.

•When battery pack is not in use, keep it away from other metal objects, like paper clips, coins, keys, nails, screws or other small metal objects, that can make a connection from one terminal to another. Shorting the battery terminals together may cause burns or a fire.

•Under abusive conditions, liquid may be ejected from the battery; avoid contact. If contact accidentally occurs, flush with water. If liquid contacts eyes, additionally seek medical help. Liquid ejected from the battery may cause irritation or burns.

•Do not use a battery pack or tool that is damaged or modified. Damaged or modified batteries may exhibit unpredictable behavior resulting in fire, explosion or risk of injury.

•Do not expose a battery pack or tool to fire or excessive temperature. Exposure to fire or temperature above 130°C (265°F) may cause explosion.

•Follow all charging instructions and do not charge the battery pack or tool outside the temperature range specified in the instructions. Charging improperly or at temperatures outside the specified range may damage the battery and increase the risk of fire.

•crystalline silica from bricks and cement and other masonry products, and

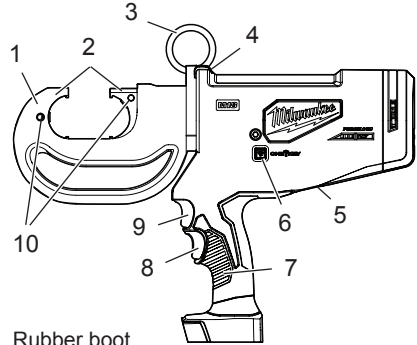
•arsenic and chromium from chemically-treated lumber.

Your risk from these exposures varies, depending on how often you do this type of work. To reduce your exposure to these chemicals: work in a well ventilated area, and work with approved safety equipment, such as those dust masks that are specially designed to filter out microscopic particles.

### SPECIFICATIONS

Cat. No. ....	M18 HCCT109/42
Volts .....	18V DC
Battery Type .....	M18™
Charger Type .....	M18™
Recommended Ambient	-18°C to 51°C
Operating Temperature .....	(0°F to 125°F)
Force .....	109kN

### FUNCTIONAL DESCRIPTION



- |                            |                      |
|----------------------------|----------------------|
| 1. Rubber boot             | 6. ONE KEY indicator |
| 2. Crimping jaws           | 7. Handle            |
| 3. Lift ring               | 8. Reverse trigger   |
| 4. LEDs/Crimping indicator | 9. Trigger           |
| 5. Internal battery        | 10. Die release pins |

### SERVICE

•Have your power tool serviced by a qualified repair person using only identical replacement parts. This will ensure that the safety of the power tool is maintained.

•Never service damaged battery packs. Service of battery packs should only be performed by the manufacturer or authorised service providers.

### SPECIFIC SAFETY RULES FOR CRIMPER

•Use tool only as directed. Only trained personnel should operate tool.

•**WARNING** To reduce the risk of explosion, electric shock and property damage, do not use on live electrical lines. Tool is NOT insulated. Contact with a live circuit could result in severe injury or death. Turn off power before making a crimp.

•Use tool only with "U" dies and connectors for which they are rated. Jaws, dies, and connectors must be used in an APPROVED COMBINATION to achieve a successful operation. Improper combinations can result in a faulty crimp. Electric shock, fire, explosion, and property damage could occur.

•Keep hands away from crimping jaws while tool is in use. Fingers could be crushed.

•To reduce the risk of injury, wear safety goggles or glasses with side shields when operating or servicing the tool.

•Inspect and discard workpieces with cracks or wear before use. Materials may crack or shatter.

•Follow connector manufacturers' installation instructions. Other uses may cause damage to the tool, accessories, and workpiece.

•Maintain labels and nameplates. These carry important information. If unreadable or missing, contact a MILWAUKEE® service facility for a replacement.

•**WARNING** Some dust created by power sanding, sawing, grinding, drilling, and other construction activities contains chemicals known to cause cancer, birth defects or other reproductive harm. Some examples of these chemicals are:

•lead from lead-based paint

### SYMBOLGY



Volts



Direct Current



Regulatory Compliance mark (RCM). This product meets applicable regulatory requirements.



**WARNING** To reduce the risk of explosion, electric shock and property damage, do not use on live electrical lines. Tool is NOT insulated. Contact with a live circuit could result in severe injury or death. Turn off power before making a crimp.



**WARNING** Keep hands away from crimping jaws while tool is in use. Fingers could be crushed.



To reduce the risk of injury, wear safety goggles or glasses with side shields when operating or servicing the tool.



Read operator's manual.

## Connector Capacity Matrix

		Connector Type	Capacity Range	
Industrial	Copper	Copper Splices	400mm <sup>2</sup>	
		Copper Lugs	400mm <sup>2</sup>	
		Copper "C" Taps	240mm <sup>2</sup>	
	Aluminum	Aluminum Splices	400mm <sup>2</sup>	
		Aluminum Lugs	400mm <sup>2</sup>	
		Aluminum Pin Adapters	400mm <sup>2</sup>	
		Aluminum "H" Taps	240mm <sup>2</sup>	
Grounding		Ground Grid Connectors	240mm <sup>2</sup>	
Overhead	Copper	Copper "E" Taps	240mm <sup>2</sup>	
		Copper Tension Splice	240mm <sup>2</sup>	
		Copper Lugs	240mm <sup>2</sup>	
		Copper "H" Taps	120mm <sup>2</sup>	
	Aluminum	Aluminum Stirrups	240mm <sup>2</sup>	
		Aluminum "H" Taps	240mm <sup>2</sup>	
			5/8" Service Entrance Connectors	50mm <sup>2</sup>
			840 Service Entrance Connectors	120mm <sup>2</sup>

### ASSEMBLY

**⚠WARNING** Recharge only with the charger specified for the battery. For specific charging instructions, read the operator's manual supplied with your charger and battery.

#### Inserting/Removing the Battery

To **remove** the battery, push in the release buttons and pull the battery pack away from the tool.

To **insert** the battery, slide the pack into the body of the tool. Make sure it latches securely into place.

**⚠WARNING** Always remove battery pack before changing or removing accessories. Only use accessories specifically recommended for this tool. Others may be hazardous.

**⚠WARNING** An incomplete or faulty crimp could cause a fire. Use tool only with "U" dies and connectors for which they are rated. Jaws, dies, and connectors must be used in an approved combination to achieve a successful operation. Improper combinations can result in a faulty crimp. Electric shock, fire, explosion, and property damage could occur.

#### Changing the Dies

Inspect dies and connectors before use. Only use properly matched dies and connectors for the crimping jaws. Refer to Specifications for die/connector compatibility.

1. Remove the battery pack.
2. Snap the appropriate dies into each side of the crimping jaws.
3. To remove, press the release button for each side of the crimping jaws. Pull dies out from crimping jaws.

#### ONE-KEY™

To learn more about the ONE-KEY functionality for this tool, please reference the Quick Start guide included with this product or go to [milwaukeeetools.com.au/One-key/](http://milwaukeeetools.com.au/One-key/) [milwaukeeetools.co.nz/One-key/](http://milwaukeeetools.co.nz/One-key/)

To download the ONE-KEY app, visit the App Store or Google Play from your smart device.

### OPERATION

**⚠WARNING** To reduce the risk of explosion, electric shock and property damage, do not use on live electrical lines. Tool is NOT insulated. Contact with a live circuit could result in severe injury or death. Turn off power before making a crimp.

Keep hands away from crimping jaws while tool is in use. Fingers could be crushed.

Always remove battery pack before changing or removing accessories. Only use accessories specifically recommended for this tool. Others may be hazardous.

To reduce the risk of injury, wear safety goggles or glasses with side shields.

#### Crimping

Before crimping:

- Inspect the jaws and dies for cracks or other damage. Do not use damaged jaws or dies. Contact a MILWAUKEE® service facility.
- Ensure dies are properly installed.
- Jaws, dies, connectors, and cables must be used in an APPROVED COMBINATION. Improper combinations can result in a faulty crimp.
- Inspect and discard workpieces with cracks or wear before use. Materials may crack or shatter.
- Follow connector manufacturers' installation instructions. Other uses may cause damage to the tool, accessories, and workpiece.

1. Install the dies.
2. Insert battery pack.
3. Rotate the jaws to the desired angle. Hold tool securely. Press and hold the trigger.
4. When the cycle is complete the tool will switch off and the indicator will light. Release the trigger. Press and hold the reverse trigger to manually return the crimping jaws.

**NOTE:** After the cycle reaches a certain point, the crimp may automatically finish, even if the trigger is released.

**WARNING** This device contains a lithium button/coin cell battery. A new or used battery can cause severe internal burns and lead to death in as little as 2 hours if swallowed or enters the body. Always secure the battery cover. If it does not close securely, stop using the device, remove the batteries, and keep it away from children. If you think batteries may have been swallowed or entered the body, seek immediate medical attention.



LED Indicator	Definition
Solid Green	Tool completed the operation and reached full crimping pressure.
Solid Red	Tool completed the operation but did NOT reach full crimping pressure.
Flashing Red	Tool did NOT complete the operation.
Flashing Red/Green (after Solid Green or Solid Red)	Tool has reached its service interval (20,000 crimps). Red/Green flashing will begin after the solid Red or Green indicator for the operation is displayed. MILWAUKEE® recommends that the tool be inspected and preventative maintenance completed. Return tool to a MILWAUKEE® service facility.

- Continue crimping according to the connector manufacturer's instructions. See the "Lug and Splices" charts for more information.
  - For **splices**, begin crimping in the center, working outward.
  - For **lugs**, begin crimping near the pad, working outward.
- An LED will light the workpiece when the trigger is pulled.
- The die identifier is pressed into the connector during the crimp.

## MAINTENANCE

**WARNING** To reduce the risk of injury, always unplug the charger and remove the battery pack from the charger or tool before performing any maintenance. Never disassemble the tool, battery pack or charger. Contact a MILWAUKEE® service facility for ALL repairs.

### Maintaining Tool

Keep your tool, battery pack and charger in good repair by adopting a regular maintenance program. After six months to one year, depending on use, return the tool, battery pack and charger to a MILWAUKEE® service facility for:

- Lubrication
- Mechanical inspection and cleaning (gears, spindles, bearings, housing, etc.)
- Electrical inspection (battery pack, charger, motor)
- Testing to assure proper mechanical and electrical operation

If the tool does not start or operate at full power with a fully charged battery pack, clean the contacts on the battery pack. If the tool still does not work properly, return the tool, charger and battery pack, to a MILWAUKEE® service facility for repairs.

### Internal Battery

An internal battery is used to facilitate full ONE-KEY™ functionality.

To replace the battery:

- Remove the battery pack.
- Remove the screw holding the battery door.
- Pull out the battery from the battery board.
- Insert the new battery (3V CR2032), with the positive side away from the board.
- Replace the battery door and screws.

**WARNING** To reduce the risk of personal injury and damage, never immerse your tool, battery pack or charger in liquid or allow a liquid to flow inside them.

### Cleaning

Clean dust and debris from vents. Keep handles clean, dry and free of oil or grease. Use only mild soap and a damp cloth to clean, since certain cleaning agents and solvents are harmful to plastics and other insulated parts. Some of these include gasoline, turpentine, lacquer thinner, paint thinner, chlorinated cleaning solvents, ammonia and household detergents containing ammonia. Never use flammable or combustible solvents around tools.

### Repairs

For repairs, return the tool, battery pack and charger to the nearest service center.





## ACCESSORIES

**⚠️WARNING** Use only recommended accessories. Others may be hazardous.

For a complete listing of accessories, go online to  
[www.milwaukeetools.com.au/](http://www.milwaukeetools.com.au/)  
[www.milwaukeetools.co.nz](http://www.milwaukeetools.co.nz) or contact a distributor.

## WARRANTY - AUSTRALIA and NEW ZEALAND

Please refer to Australian and New Zealand warranty supplied with tool. This warranty applies only to product sold in Australia and New Zealand.

## SERVICE - AUSTRALIA and NEW ZEALAND

MILWAUKEE® prides itself in producing a premium quality product that is Nothing But Heavy Duty®. Your satisfaction with our products is very important to us! If you encounter any problems with the operation of this tool, please contact your authorised MILWAUKEE® dealer.

For a list of MILWAUKEE® dealers, guarantee or service agents please contact MILWAUKEE® Customer Service or visit our website.  
(Australia Toll Free Telephone Number 1300 645 928)  
(New Zealand Toll Free Telephone Number 0800 279 624)  
or visit [www.milwaukeetools.com.au](http://www.milwaukeetools.com.au) / [www.milwaukeetools.co.nz](http://www.milwaukeetools.co.nz).

### Milwaukee Electric Tool Corporation

13135 West Lisbon Road, Brookfield, Wisconsin U.S.A. 53005

#### Milwaukee Tool (Australia)

21 Kelletts Road, Rowville, VIC 3178  
Melbourne, Australia

#### Milwaukee Tool (New Zealand)

2 Landing Drive, Mangere  
Auckland, 2022, New Zealand

Designed by Milwaukee Electric Tool Corp.  
Professionally Made in China for Milwaukee Tool (Australia) / Milwaukee Tool (New Zealand)  
Printed in China