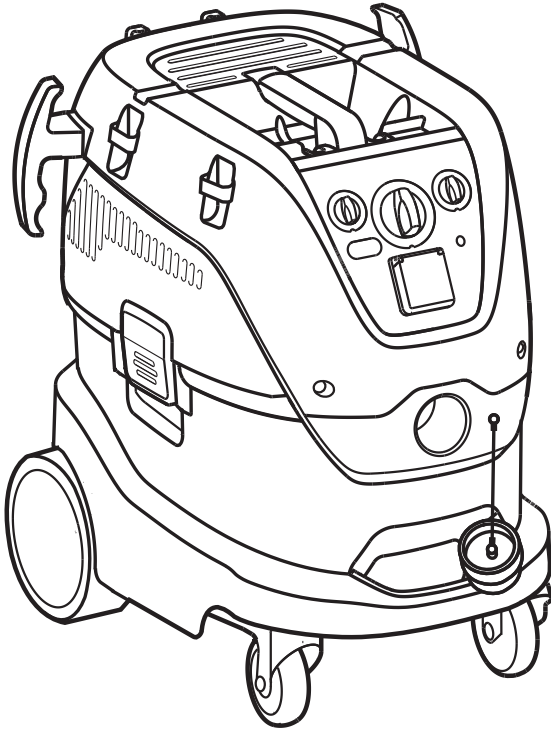


Milwaukee[®]

Nothing but **HEAVY DUTY**[®].



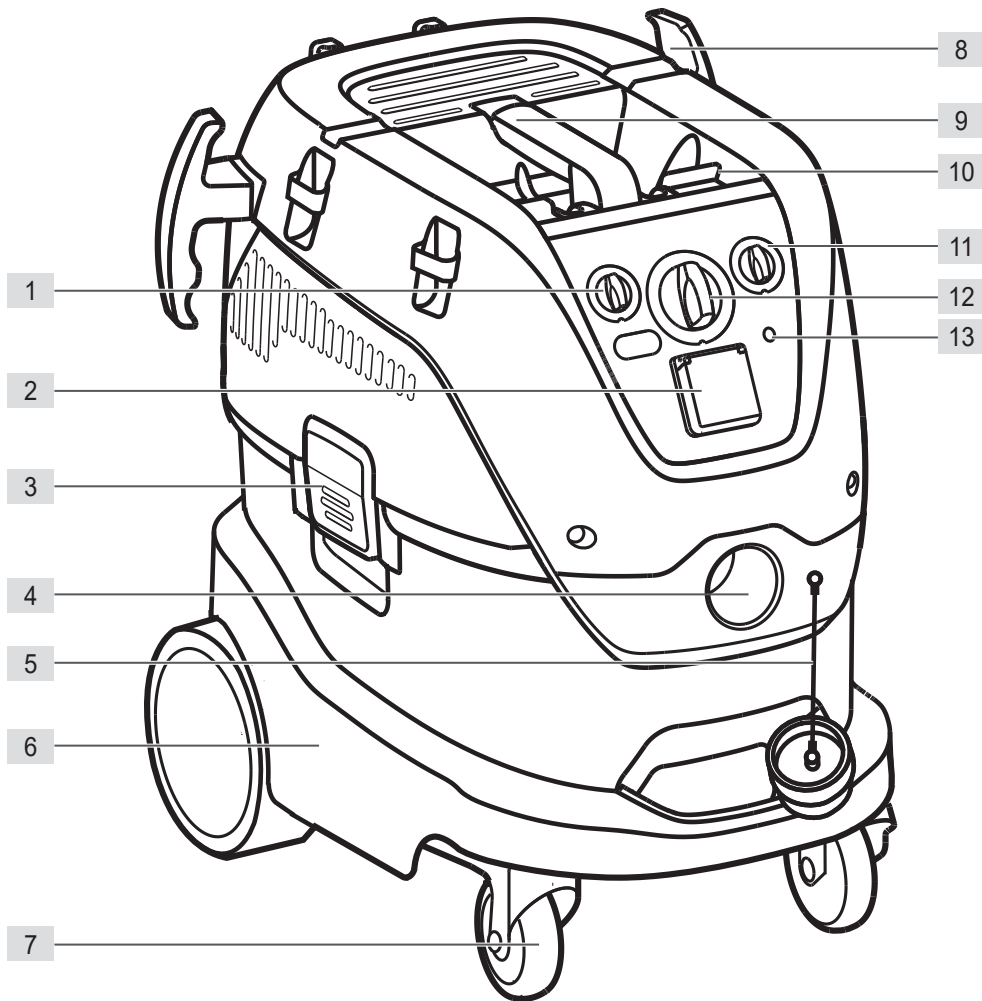
AS-30 MAC

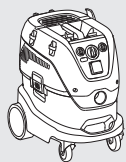


Original instructions

1. Hose diameter setting
2. Socket Outlet
3. Latch
4. Hose fitting
5. Inlet cap
6. Container
7. Castor
8. Hose hook

9. Handle
10. Accessory positions
11. Speed control
12. Switch
13. Overload device

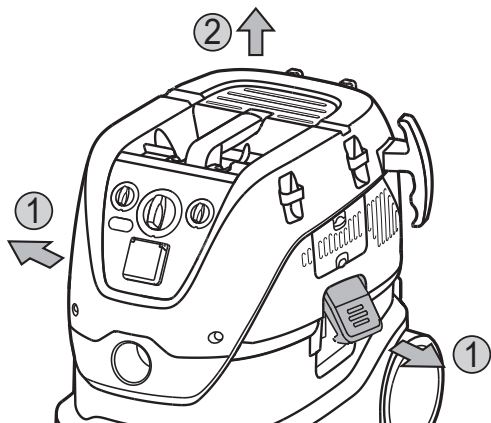




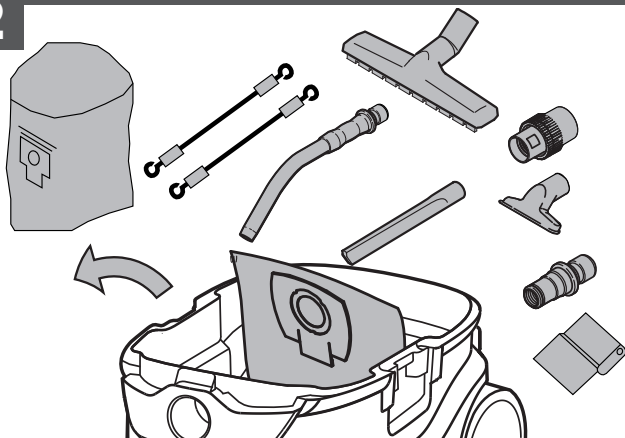
Unpack accessories



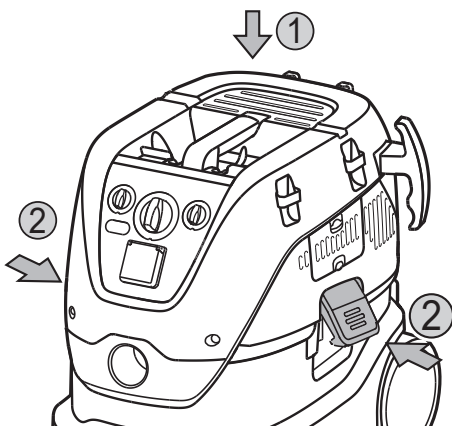
1

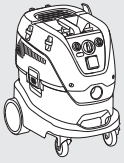


2



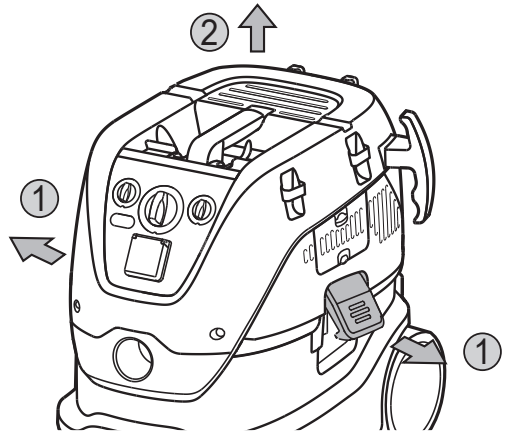
3



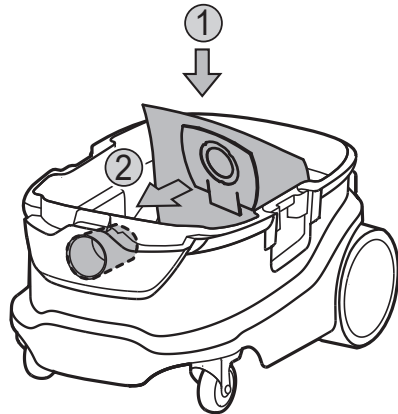


Filter bag installation

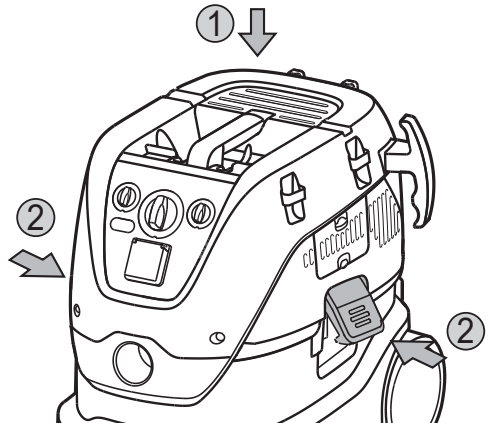
1

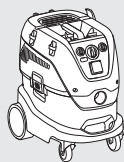


2



3

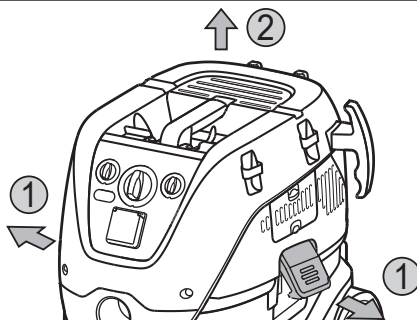




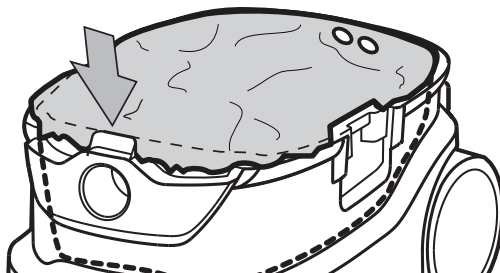
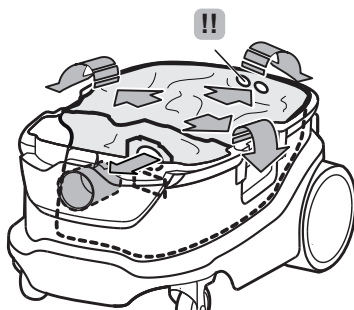
Disposal bag installation



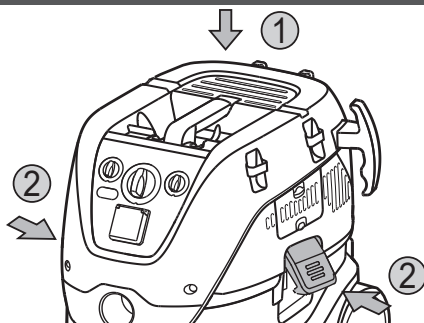
1

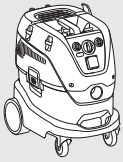


2



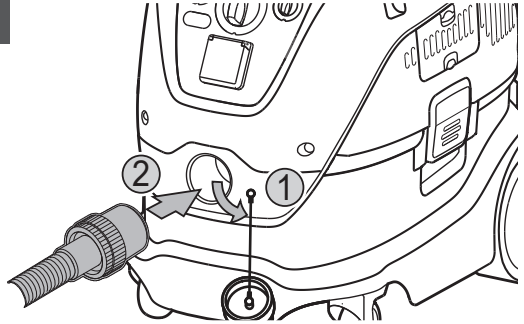
3



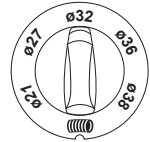
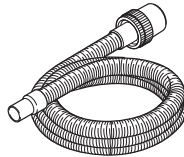


Hose insert & operations

1

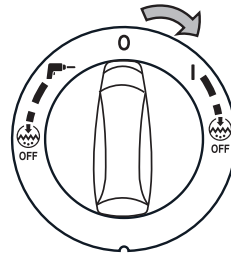


2

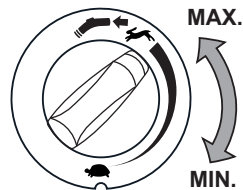


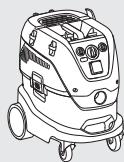
ø21	ø21
ø27	ø27
ø32	ø32
ø36	ø36
ø38	ø38

3



4

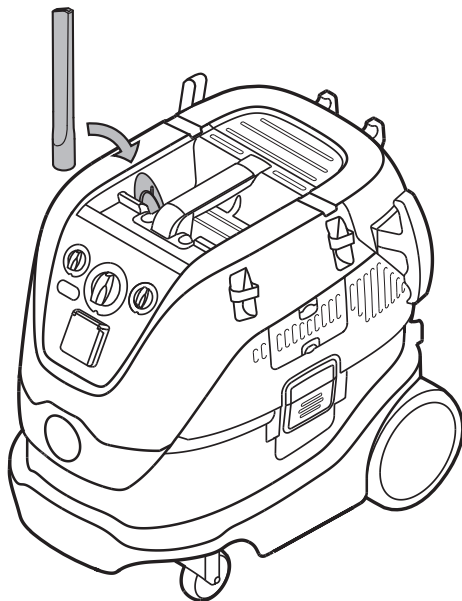




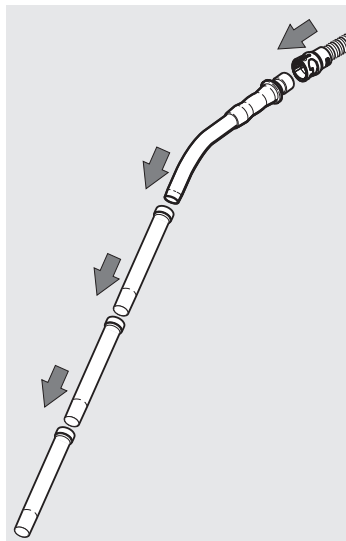
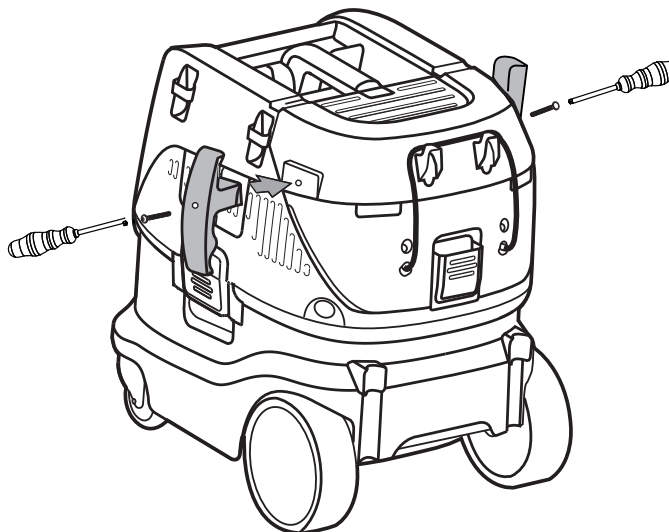
Accessories placement

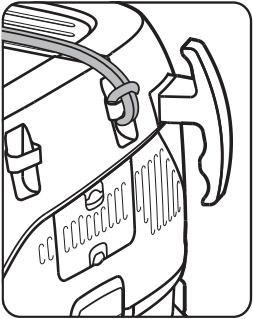
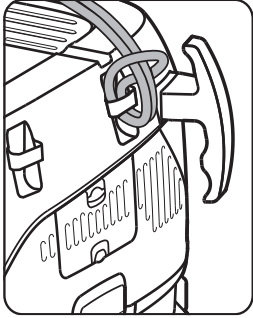


1

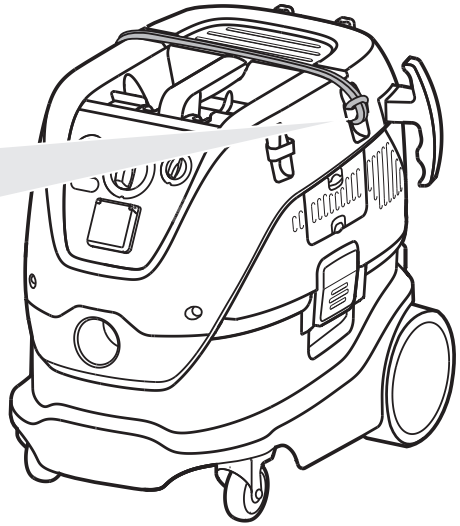


2

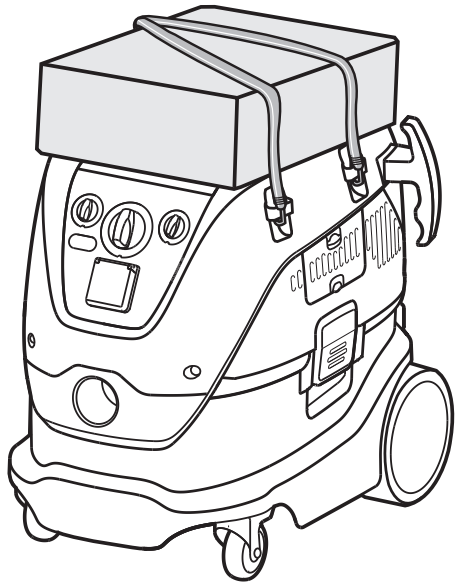


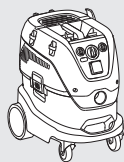


3



4

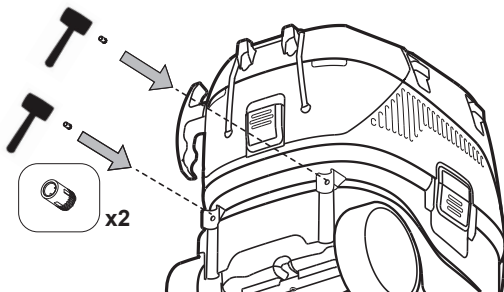




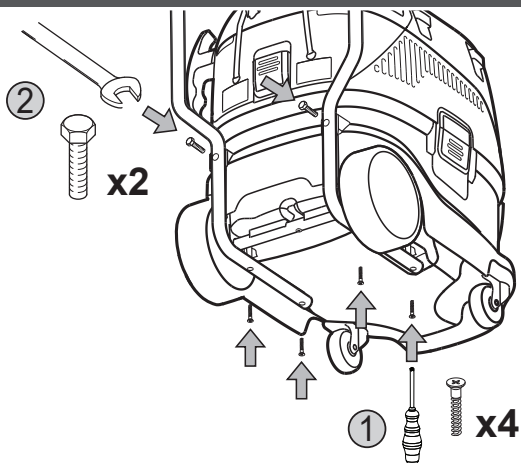
Trolley handle installation
only applicable for AS-42 MAC



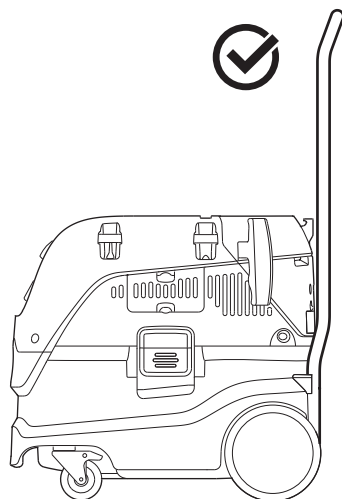
1



2



3

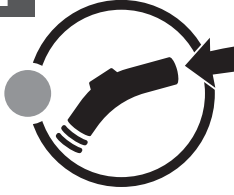




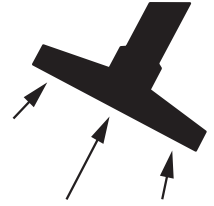
Flow rate and filter warning



1



=

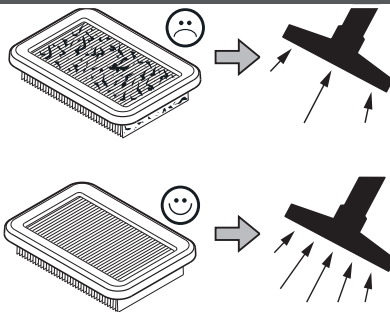


< 20 m/s

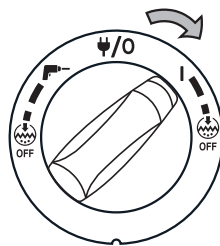




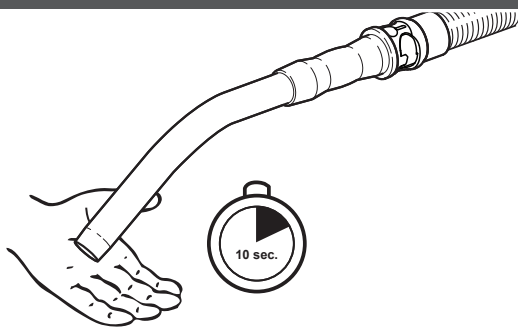
Auto-Clear filter cleaning system



1



2

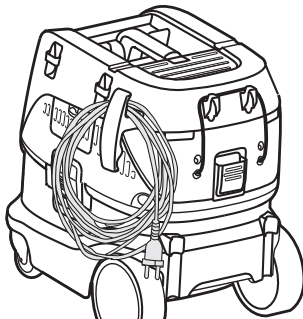


Auto-Clear

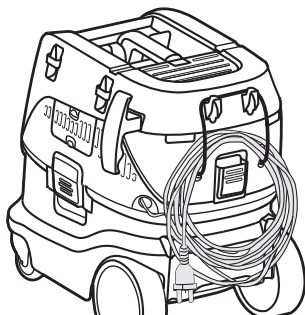


Cable and hose storage

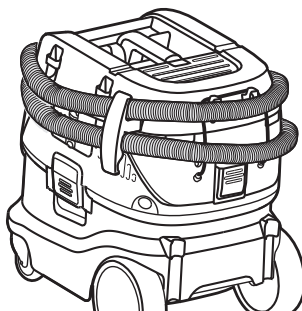
1



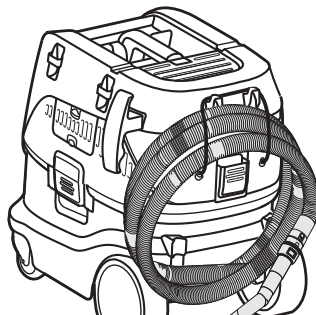
2



3



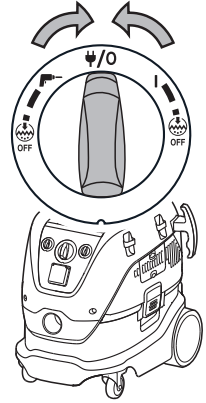
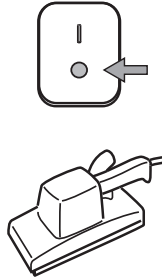
4



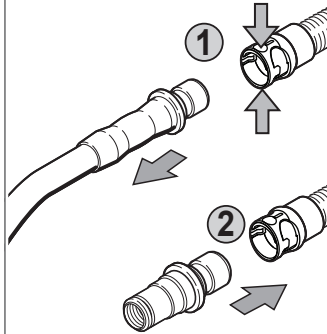


Power tool adaption

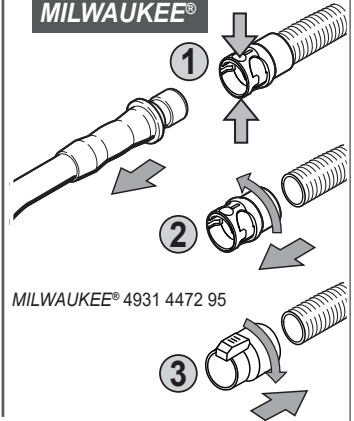
1



2 Standard

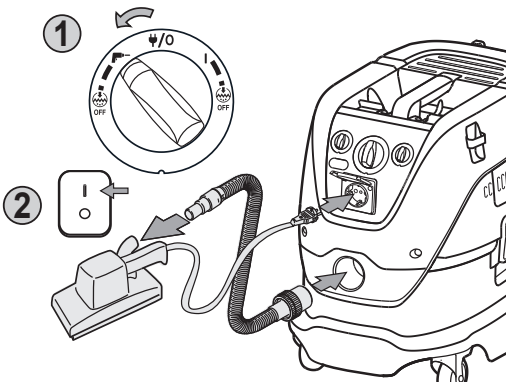


MILWAUKEE®

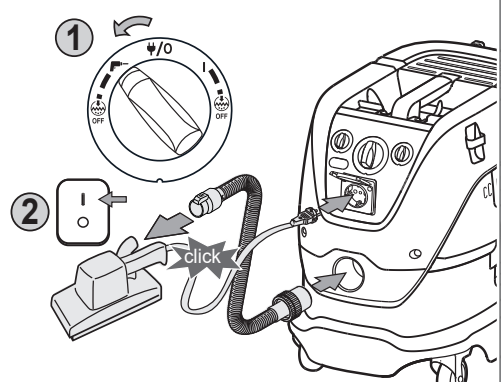


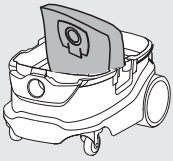
3

Standard



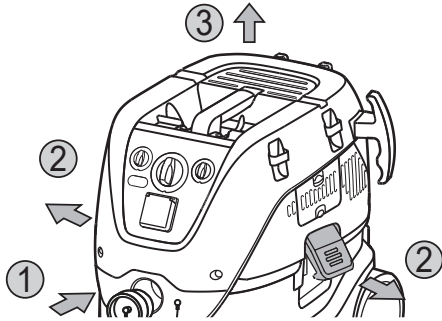
MILWAUKEE®



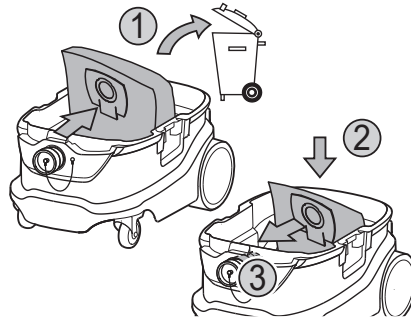


Filter bag replacement

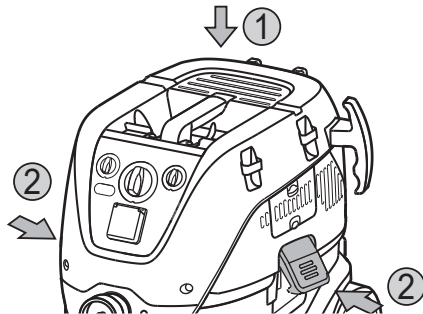
1

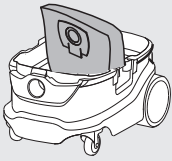


2



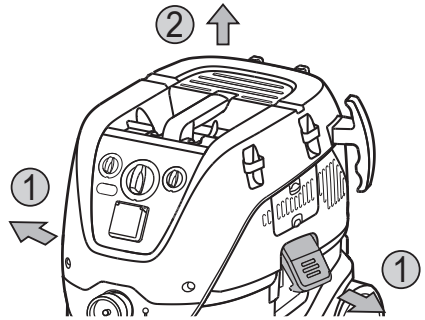
3



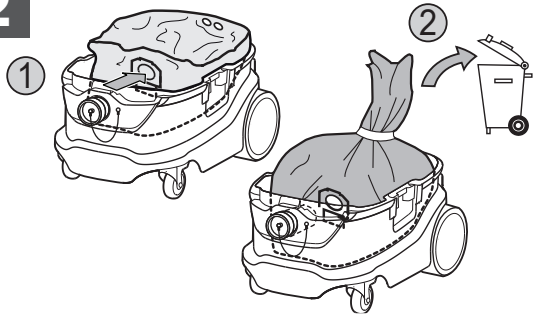


Disposal bag replacement

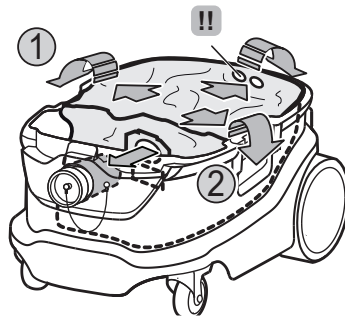
1



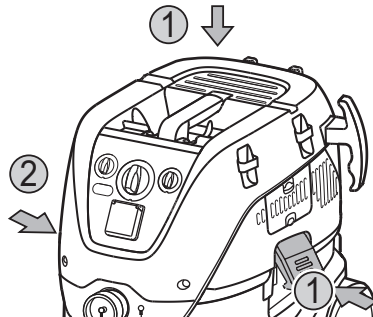
2

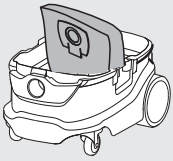


3



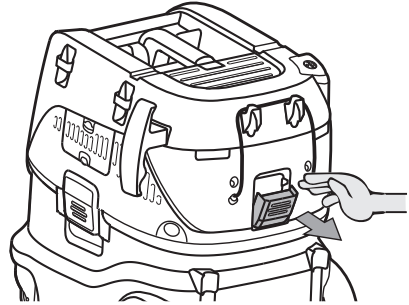
4



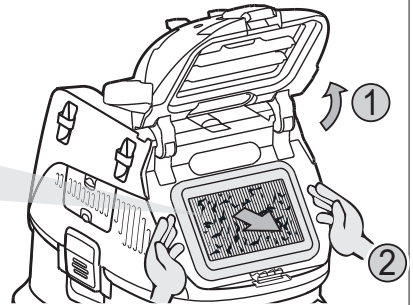


Filter replacement

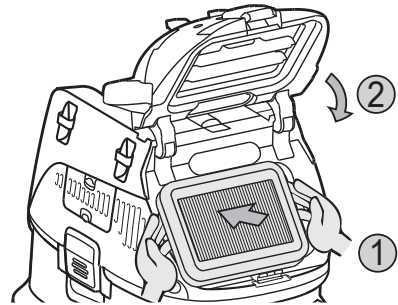
1



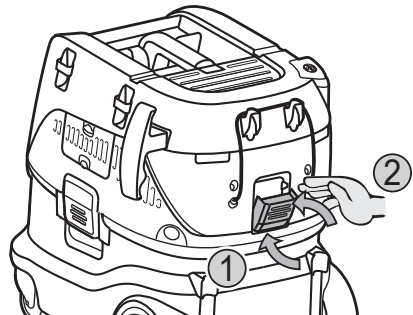
2

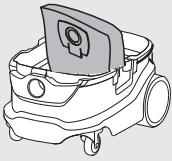


3



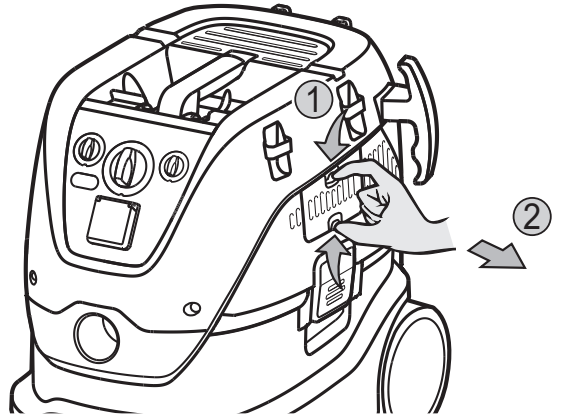
4



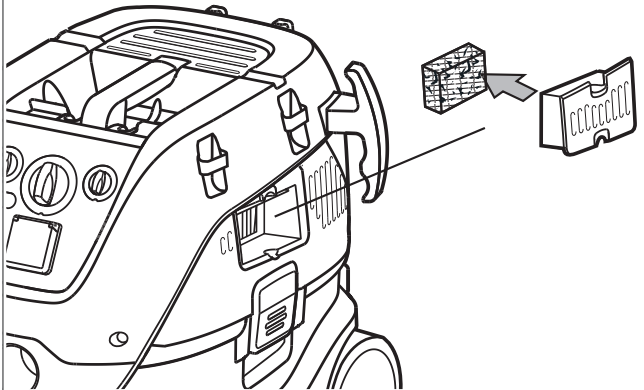


Motor cooling air diffuser cleaning

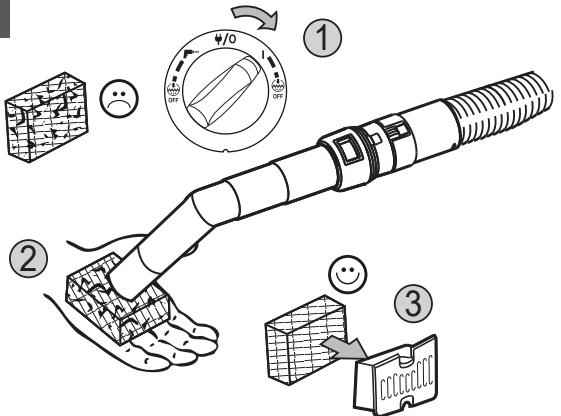
1



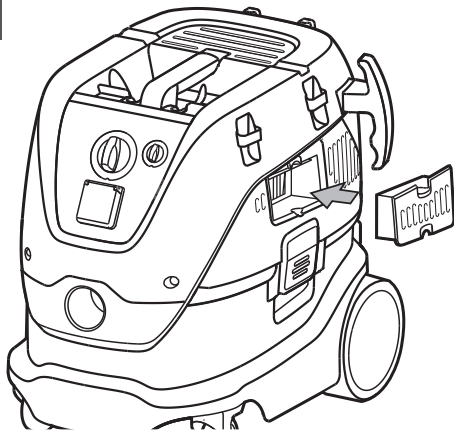
2

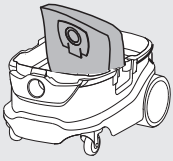


3



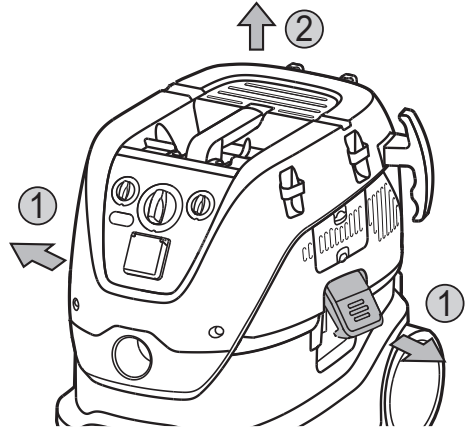
4



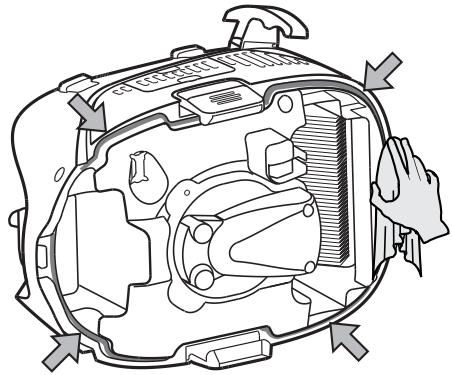


Gaskets and floater cleaning

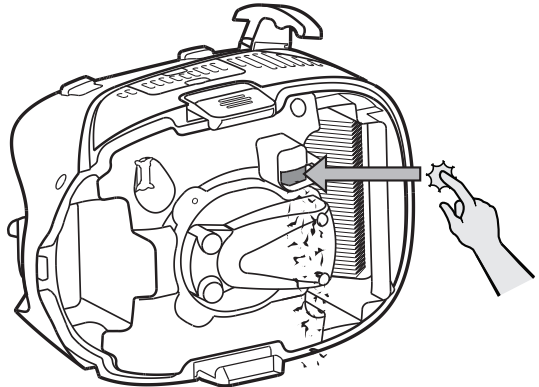
1



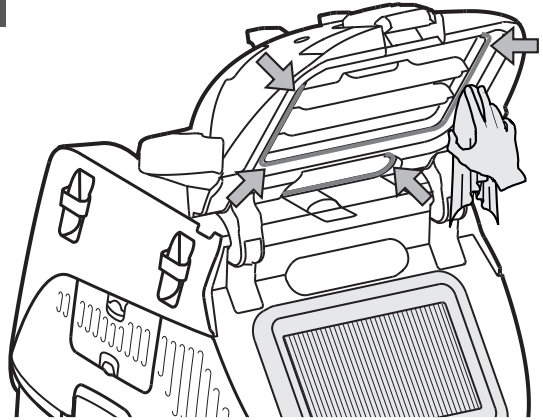
2



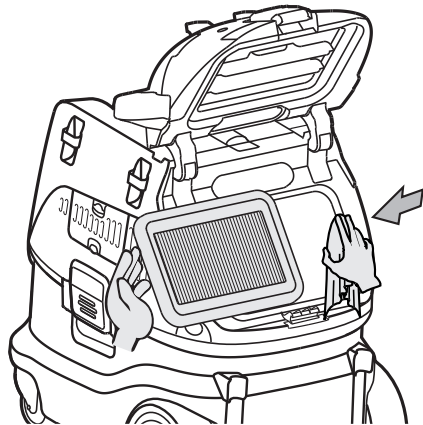
3



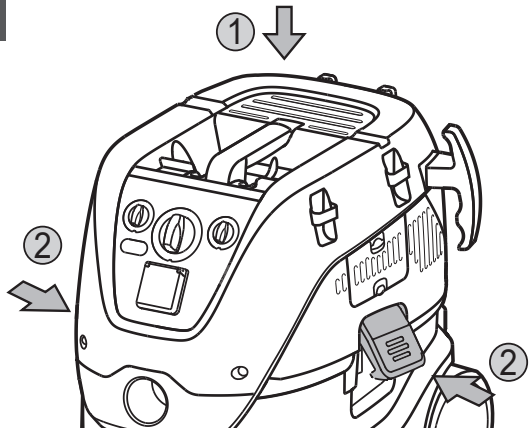
4



5



6



Volts	230-240V
Mains frequency	50 Hz
Overload	5 A
Safety class	I
Type of protection	IP X4
Total connected load	2400 W
Power _{IEC}	1200W
Rate of air flow	270 m ³ /h
Vacuum	250 hPa
Sound pressure level L _p IEC 60335-2-69	67 dB(A)
Uncertainty K=	2 dB(A)
Vibration emission value ahv IEC 60335-2-69	< 2.5 m/s ²
Tank volume	30 l
Maximum power off-take	1200 W
Suction hose diameter	ø 36 mm
Weight according EPTA-Procedure 01/2014	14,5 kg
Power supply cord	H05RR-F3G1,5



WARNING! Read all safety warnings and all instructions. Failure to follow the warnings and instructions may result in electric shock, fire and/or serious injury. Save all warnings and instructions for future reference.

SAFETY INSTRUCTIONS

Instructions for use

The appliance must:

- only be used by persons, who have been instructed in its correct usage and explicitly commissioned with the task of operating it under supervision.
- This appliance is not intended for use by persons (including children) with reduced physical, sensory or mental capabilities, or lack of experience and knowledge.
- Children shall be supervised to make sure that they do not play with the appliance.
- Do not use any unsafe work techniques.
- Never use the appliance without a filter.
- Switch off the appliance and disconnect the mains plug in the following situations:
 - Prior to cleaning and servicing
 - Prior to replacing components
 - Prior to changing over the appliance
 - If foam develops or liquid emerges

Besides the operating instructions and the binding accident prevention regulations valid in the country of use, observe recognised regulations for safety and proper use.

Before starting work, the operating staff must be informed on and trained within:

- use of the machine
- risks associated with the material to be picked up
- safe disposal of the picked up material

READ AND FOLLOW ALL SAFETY INSTRUCTIONS.

Any other use is considered as improper use. The manufacturer accepts no liability for any damage resulting from such use. The risk for such use is borne solely by the user. Proper use also includes proper operation, servicing and repairs as specified by the manufacturer.

The air flow in Safety Vacuum systems has to be strictly controlled to achieve a minimum flow rate of $V_{\min} = 20$ m/s in the suction hose.

The safety label on the machine warns:

This appliance contains dust hazardous to health. Emptying and maintenance operations, including removal of the dust collecting means, must only be carried out by authorised personnel wearing suitable personal protection. Operate only after the full filtration system has been fitted and checked.

For dust extractors, ensure adequate air change rate H, when the exhaust air is returned to the room. Observe national regulations before use.

$$H = Q/V \text{ (1/h)}$$

Where

Q = flow rate of the air exchanger of the room (m³/h)

V = room air volume

For Dust Class M machines (with type designation -2M) following applies:

The appliance is suitable for picking up dry, nonflammable dust, non flammable liquids, sawdust and hazardous dusts with OEL⁽¹⁾ values > 0.1 mg/m³



Dust Class M (IEC 60335-2-69). The dusts which belong to this class are: dusts with OEL values⁽¹⁾ ≥ 0.1 mg/m³ as well as saw dust.

The machine is tested in its entirety by vacuums for this dust class. The maximum degree of permeability is 0.1% and the disposal must be low dust.

Electrical connection

- It is recommended that the machine should be connected via a residual current circuit breaker.
- Arrange the electrical parts (sockets, plugs and couplings) and lay down the extension lead so that the protection class is maintained.
- Connectors and couplings of power supply cords and extension leads must be watertight.

Important warnings



WARNING!
To reduce the risk of fire, electric shock, or injury, please read and follow all safety instructions and caution markings before use. This machine is designed to be safe when used for cleaning functions as specified. Should damage occur to electrical or mechanical parts, the machine and / or accessory should be repaired by a competent service center or the manufacturer before use in order to avoid further damage to the machine or physical injury to the user.

Do not leave the machine when it is plugged in. Unplug from the socket when not in use and before maintenance.

Do not use with damaged cord or plug. To unplug grasp the plug, not the cord. Do not handle plug or machine with wet hands. Turn off all controls before unplugging.

Do not pull or carry by cord, use cord as a handle, close a door on cord, or pull cord around sharp edges or corners. Do not run machine over cord. Keep cord away from heated surfaces.

Keep hair, loose clothing, fingers and all parts of the body away from openings and moving parts. Do not put any objects into openings or use with opening blocked. Keep openings free of dust, lint, hair, and anything else that could reduce the flow of air.

Do not use in outside areas at low temperature.

Outdoor use of the appliance must be limited to occasional use.

Do not use to pick up flammable or combustible liquids such as gasoline, or use in areas where they may be present.

Do not pick up anything that is burning or smoking, such as cigarettes, matches or hot ashes.

Use extra care when cleaning on stairs.

Do not use unless filters are fitted.

If the machine is not working properly or has been dropped, damaged, left outdoors, or dropped into water, return it to a service center or dealer.

If foam or liquid escapes from the machine, switch off immediately.

The machine may not be used as a water pump. The machine is intended for vacuuming air and water mixtures.

Connect the machine to a properly earthed mains supply. The socket outlet and the extension cable must have an operative protective conductor.

Provide for good ventilation at the working place.

Do not use the machine as a ladder or step ladder. The machine can tip over and become damaged. Danger of injury.

Only use the socket outlet on the machine for purposes specified in the instructions.

Additional battery safety warnings

WARNING!

To reduce the risk of fire, personal injury, and product damage due to a short circuit, never immerse your tool, battery pack or charger in fluid or allow a fluid to flow inside them. Corrosive or conductive fluids, such as seawater, certain industrial chemicals, and bleach or bleach-containing products, etc., can cause a short circuit.

Hazardous dust

WARNING!

Hazardous materials. Vacuuming up hazardous materials can lead to serious or even fatal injuries.

The following materials must not be picked up by the machine:

hot materials (burning cigarettes, hot ash, etc.)

flammable, explosive, aggressive liquids (e.g. petrol, solvents, acids, alkalis, etc.)

flammable, explosive dust (e.g. magnesium or aluminium dust, etc.)

Spare parts and accessories

CAUTION!

Spare parts and accessories.

The use of non-genuine spare parts, brushes and accessories can impair the safety and/or function of the appliance.

Only use original spare parts and accessories from **MILWAUKEE®**. Spare parts that can affect health and safety of the operator and/or function of the appliance, are specified below:

Description	Order No.
Flat filter PTFE, 1 pcs.	4932 4596 87
Fleece filter bag, 5 pcs.	4932 459689
Disposal bag, 5 pcs.	4932 4596 90
Motor cooling air filter PET, 1 pcs.	4932 4596 88

In explosive or inflammable atmosphere

CAUTION!

This machine is not suitable for use in explosive or inflammable atmospheres or where such atmospheres are likely to be produced by the presence of volatile liquid or inflammable gas or vapour.

SPECIFIED CONDITIONS OF USE

This mobile dust extractor is designed, developed and rigorously tested to function efficiently and safely when properly maintained and used in accordance with the following instructions.

This machine is intended for commercial use, for example in hotels, schools, hospitals, factories, shops, offices and rental businesses.

This machine is also suitable for industrial use, such as e.g. plants, construction sites and workshops.

Accidents due to misuse can only be prevented by those using the machine.

The appliance is suitable for picking up dry, non-flammable dust and liquids.

Do not use this product in any other way as stated for normal use.

CONTROL / OPERATION

CAUTION!

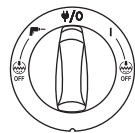
Damage due to unsuitable mains voltage.

The appliance can be damaged as a result of being connected to an unsuitable mains voltage.

- Ensure that the voltage shown on the rating plate corresponds to the voltage of the local mains power supply.

Starting and operating of the machine

Check that the electrical switch is switched off (in position 0). Check that suitable filters are installed in the machine. Then connect the suction hose into the suction inlet at the machine by pushing the hose forward until it fits firmly in place at the inlet. Then connect the tubes with the hose handle, twist the tubes in order to ensure that they are properly fitted. Attach suitable nozzle to the tube. Choose nozzle depending on what type of material that is to be picked-up. If used for dust extraction in connection with dust producing tool then connect end of suction hose with appropriate adapter. Connect the plug into a proper electrical outlet. Put the electrical switch into position I in order to start the motor.



- Turn /O Turn off machine
- Turn I Turn on machine with automatic filter cleaning function
- Turn I+ OFF Turn on machine without automatic filter cleaning function
- Turn Activates outlet with machine auto on/off function with automatic filter cleaning function
- Turn + OFF Activates outlet with machine auto on/off function without automatic filter cleaning function

Auto-Clear

The "IC" machine is equipped with an automatic filter cleaning system, Auto-Clear. A frequent cleaning cycle will automatically run during operation to ensure that suction performance is always at its best.

If suction performance decreases or in extensive dust applications a manually filter cleaning operation is recommended:

- Switch off the machine
- Close the nozzles or suction hose opening with the palm of your hand.
- Turn the switch to position "I" and let the machine operate at full speed for approx. 10 seconds with the suction hose opening closed.

If suction power is still reduced take out the filter and clean mechanically or replace filter.

For certain applications, like wet pick up, it is recommended to turn off the automatic filter cleaning system. For details see chapter Starting and operating of the machine.

The hose diameter and the setting for suction hose diameter must be the same.

ø21	ø21
ø27	ø27
ø32	ø32
ø36	ø36
ø38	ø38

Flow rate warning



CAUTION!

Check that all the filters are present and properly fitted.

The machine is equipped with a system to monitor air velocity and Dust Class H filter condition¹⁾. Before picking up dust with occupational exposure limit values, check the volume flow monitor.

When the motor is running, hold the suction hose shut to reduce the volume flow. The LED indicator on front panel will light after approx. 1 second. The acoustic warning sounds after some additional seconds.

Set the diameter setting to the actual hose size.



When LED indicator lights, air velocity is below 20 m/s.

- check if container or filter bag is full.
- check if air flow is reduced in suction hose, tube/nozzle, filter.

Antistatic connection



CAUTION

The machine is equipped with an antistatic system to discharge any static electricity that may develop during dust pick-up.

The antistatic system is placed in front part of the motor top and creates an earth ground connection to the inlet fitting of the container. For proper function the use of an electrical conductive or antistatic suction hose is recommended. When inserting the optional disposal bag make sure the antistatic connection is maintained.

Cooling air filter

To protect the electronics and motor, the machine is equipped with a cooling air diffusor. Clean the cooling air diffusor regularly.

For areas with a high concentration of fine dust in the surrounding air it is recommended to equip the machine with an optional cooling air filter cartridge to prevent dust from settling inside the air channels and motor. Contact your local sales representative.



CAUTION!

If cooling air filter is clogged by dust the overload protection switch in the motor can be activated. In such case switch off the machine, clean cooling air filter and allow machine to cool for approx. 5 minutes.

Auto-On/Off socket outlet for power tools



CAUTION!

Appliance socket.

The appliance socket is designed for electrical auxiliary equipment; see technical data for reference.

- Prior to plugging in an appliance, always switch off the machine and the appliance that is to be connected.
- Read the operating instructions to the appliance to be connected and observe the safety notes contained in these.

An appliance socket with earthing contact is integrated in the machine. An external power tool can be connected there. The socket features permanent power on, when the electrical switch is in position /O, i.e. the machine can be used as an extension cord.

In position the machine can be switched on and off by the power tool connected. Dirt is picked up from the source of dust immediately. To comply with regulations, only approved dust producing tools should be connected.

The maximum power consumption of the connected electrical appliance is stated in section "Specifications".

If the maximum power rating for the socket is exceeded, an internal overload device will switch off the socket.

Before turning the switch to position ensure that the tool connected to the appliance socket is switched off.

Wet pick-up

A CAUTION!

The machine is equipped with a water level limit system which shuts off the machine when the maximum liquid level is reached.

When this occurs, switch off the machine. Disconnect the machine from the socket and empty the container. Never pick up liquids without the water level limit system and filter in place.

Picking up liquids.

- Do not pick up flammable liquids
- Before liquids are picked up, always remove the filter bag/wastebag and check that the water level limit works properly.
- If foam appears, stop work immediately and empty the tank.
- Clean the water level limiting device regularly and check for signs of damage.

Before emptying the container, unplug the machine. Disconnect the hose from the inlet by pulling out the hose. Release the latches by pulling them outwards so that the motor top is released. Lift up the motor top from container. Always empty and clean the container and water level limit system after picking-up liquids.

Empty by tilting the container backwards or sideways and pour the liquids into a floor drain or similar.

Replace back the motor top to the container. Secure the motor top with the latches.

Large movements can, by mistake, trigger the water level limiting device. Should this happen; turn off the machine and wait for 3 seconds to reset the device. Continue to operate the machine afterwards.

Wet filters and inside the liquid container must be dried before storage

Dry pick-up

A CAUTION!

Picking up environmentally hazardous materials.

Materials picked up can present a hazard to the environment.

- Dispose of the dirt in accordance with legal regulations.

Before use, operators shall be provided with information, instruction and training for the use of the machine and the substances for which it is to be used, including the safe method of removal and disposal of the material collected.

Remove the electrical plug from the socket before emptying after dry pick-up. Remove the suction hose from the machine and close the inlet cap, to avoid harmful dust spreading. Release the latch by pulling them outwards so that the motor top is released. Lift up the motor top from container.

Main Filter: check the filter. To clean the filter you can either brush or wash it. Wait until the filter is dry before re-starting dust pick-up.

Dustbag: Replace dust bag if necessary. Remove the old bag. The new bag is fitted. Make sure that the cardboard collar of the bag is located and secured on the locating rings of the rubber vacuum inlet. Safety filter bag: Replace dust bag if full. Wear mask and protective clothing when removing the old bag. Carefully remove the dust bag connection from the inlet fitting. Close the dust bag collar with the slide. Dispose of the dirt in accordance with legal regulations.

After emptying: close motor top to the container and secure the motor top with the latches. Never pick up dry material without filter fitted in the machine. The suction efficiency of the machine depends on the

size and quality of the filter and dust bag. Therefore - use only Original filter and dust bags.

Before being taken out of the hazardous zone, the device must be decontaminated using a dust extraction method, wiped clean, or sealed. All parts of the device must be regarded as contaminated if they are removed from the hazardous zone and suitable measures must be taken to prevent dust from spreading.

OVERLOAD PROTECTION FOR SOCKET OUTLET

An external power tool can be connected to the socket outlet. The socket has an overload device to protect the machine against power overload. If the power consumption gets too high the overload device activates and cuts off the power to the socket outlet.

The connected power tool must be switched off before resetting the overload device. The overload device needs around 1 minute to cool down before it can be reset, pressing the button marked "13" on page 3.

AFTER USING THE MACHINE

After use

Remove the plug from the socket when machine is not in use. Wind up the cord starting from the machine. The power cord can be wound up around the motor top or at the container or placed in the included hook, or fastening means. Some variants have special storage places for accessories.

Transport

- Before transporting the machine, close all the latches.
- Do not tilt the machine if there are liquids in the dirt tank.
- Do not use a crane hook to lift the machine.
- Do not lift the machine by the trolley handle

Storage

A CAUTION!

Store the appliance in a dry place, protected from rain and frost. The machine shall be stored indoors only.

Accessory and tool storage

For convenient transport and storage of accessories or tools, integrated rails are found on side of machine which allows fastening with straps or other means. A flexible strap and hooks are included on back of machine for attachment of suction hose or mains cable. For instruction see quick reference guide.

An optional adapter plate with attachment system can be installed on top of machine for fastening of 2-point or 4-point storage cases.

Remove the electrical plug from the socket before installing the adapter plate.

A CAUTION!

Do not lift machine in adapter plate without having storage case safely installed. Note the weight and balance of the appliance in case of storage. Maximum weight of storage cases is 30 kg.

MAINTENANCE

Regular servicing and inspection

Regular servicing and inspection of your machine must be carried out by suitably qualified personnel in accordance with relevant legislation and regulations. In particular, electrical tests for earth continuity,

insulation resistance, and condition of the flexible cord should be checked frequently.

In the event of any defect, the machine **MUST** be withdrawn from service, completely checked and repaired by an authorized service technician.

At least once a year, a **MILWAUKEE**® technician or an instructed person must perform a technical inspection including filters, air tightness and control mechanisms.

For user servicing, the machine shall be dismantled, cleaned and serviced, as far as is reasonably practicable, without causing risk to the maintenance staff and others. Suitable precautions include decontamination before dismantling, provision for local filtered exhaust ventilation where the machine is dismantled, cleaning of the maintenance area and suitable personal protection.

When carrying out service or repair operations, all contaminated items which cannot be satisfactorily cleaned are to be disposed of; such items shall be disposed of in impervious bags in accordance with any current regulation for the disposal of such waste.

Maintenance

Remove the plug from the socket before performing maintenance. Before using the machine make sure that the frequency and voltage shown on the rating plate correspond with the mains voltage.

The machine is designed for continuous heavy work. Depending on the number of running hours – the dust filter should be renewed. Keep the machine clean with a dry cloth, and a small amount of spray polish.

During maintenance and cleaning, handle the machine in such a manner that there is no danger for maintenance staff or other persons.

In the maintenance area

- Use filtered compulsory ventilation
- Wear protective clothing
- Clean the maintenance area so that no harmful substances get into the surroundings.

CAUTION!

Clean the water level limiting device regularly and examine it for signs of damage.

Use only **MILWAUKEE**® accessories and **MILWAUKEE**® spare parts. Should components need to be replaced which have not been described, please contact one of our **MILWAUKEE**® service agents.

SYMBOLS



CAUTION! WARNING! DANGER!



Always disconnect the plug from the socket before carrying out any work on the machine.



Please read the instructions carefully before starting the machine.



Do not dispose of electric tools together with household waste material. Electric tools and electronic equipment that have reached the end of their life must be collected separately and returned to an environmentally compatible recycling facility. Check with your local authority or retailer for recycling advice and collection point.



Dust Class M (IEC 60335-2-69). The dusts which belong to this class are: dusts with OEL values¹⁾ $\geq 0.1 \text{ mg/m}^3$ as well as saw dust.



Regulatory Compliance Mark (RCM). Product meets applicable regulatory requirements.

WARRANTY - AUSTRALIA and NEW ZEALAND

Please refer to Australian and New Zealand warranty supplied with tool. This warranty applies only to product sold by authorised dealers in Australia and New Zealand.

SERVICE - AUSTRALIA and NEW ZEALAND

MILWAUKEE[®] prides itself in producing a premium quality product that is Nothing But Heavy Duty™. Your satisfaction with our products is very important to us! If you encounter any problems with the operation of this tool, please contact your authorised *MILWAUKEE*[®] dealer.

For a list of *MILWAUKEE*[®] dealers, guarantee or service agents please contact *MILWAUKEE*[®] Customer Service or visit our website.

(Australia Toll Free Telephone Number 1300 645 928)

(New Zealand Toll Free Telephone Number 0800 645 928)

or visit milwaukeetool.com.au/milwaukeetool.co.nz.

Milwaukee Tool (Australia)

21 Kelletts Road, Rowville, VIC 3178
Melbourne, Australia

Milwaukee Tool (New Zealand)

274 Church Street, Penrose,
Auckland, 1061, New Zealand

DESIGNED BY MILWAUKEE ELECTRIC TOOL CORP.
PROFESSIONALLY MADE IN HUNGARY