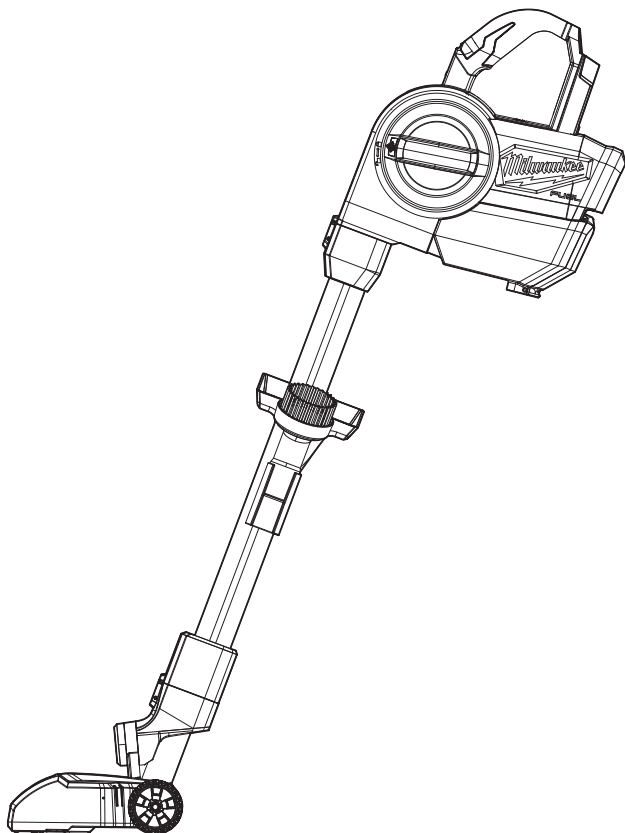




## OPERATOR'S MANUAL



Cat. No.  
**M18 FCVL**

### **M18 FUEL™ COMPACT VACUUM L CLASS**

Original instructions



**! CAUTION**

Read the instruction manual before using the machine.



## IMPORTANT SAFETY INSTRUCTIONS

**⚠WARNING** WHEN USING AN ELECTRICAL VACUUM, BASIC PRECAUTIONS SHOULD ALWAYS BE FOLLOWED, INCLUDING THE FOLLOWING: READ ALL INSTRUCTIONS BEFORE USING VACUUM. BEFORE USING THE VACUUM, READ THIS OPERATOR'S MANUAL, BATTERY PACK AND CHARGER OPERATOR'S MANUALS, AND ALL LABELS ON THE VACUUM, BATTERY PACK, AND CHARGER.

THIS APPLIANCE IS NOT INTENDED FOR USE BY PERSONS (INCLUDING CHILDREN) WITH REDUCED PHYSICAL, SENSORY OR MENTAL CAPABILITIES, OR LACK OF EXPERIENCE AND KNOWLEDGE. CHILDREN SHOULD BE SUPERVISED TO ENSURE THAT THEY DO NOT PLAY WITH THE APPLIANCE.

### WORK AREA SAFETY

• **Keep work area clean and well lit.** Cluttered or dark areas invite accidents.

• **Vacuums have motors and other parts that can produce sparks during normal use.** Do not use within 10 m of areas where explosive materials may be present (such as gasoline pumps and places where liquids like paint thinners, cleaners, solvents, etc. are stored).

**⚠WARNING** Do not use in the presence of explosive dust, liquids or vapours.

• **Do not use where oxygen or anesthetics are used.**

• **Do not allow to be used as a toy.** Close attention is necessary when used by or near children.

• **Use extra care when using on stairs.**

**⚠WARNING** This machine is for dry use only.

**⚠ CAUTION** This machine is for indoor use only.

**⚠ CAUTION** This machine shall be stored indoors only.

### ELECTRICAL SAFETY

• **Do not handle battery pack or vacuum with wet hands.**

### PERSONAL SAFETY

• **STAY ALERT.** Watch what you are doing and use common sense. Do not use vacuum when you are tired, distracted or under the influence of drugs, alcohol or medication causing diminished control.

• **The operation of a vacuum can result in foreign objects being blown into eyes, which can result in eye damage.** Always wear safety goggles or glasses with side shields marked to comply with AS/NZS 1337.1 when operating vacuum.

• **Wear a dust mask or a suitable vacuum solution** when working in dusty situations. Dust particles can harm your lungs.

• **Avoid accidental starting.** Ensure the switch is in the off-position before inserting battery pack. Inserting battery pack in vacuum that has the switch on invites accidents.

• **Do not overreach. Keep proper footing and balance at all times.** This enables better control of the vacuum in unexpected situations.

• **Keep hair, loose clothing, fingers, and all parts of body away from openings and moving parts.**

• **Use only as described in this manual.** Use only manufacturer's recommended attachments.

• **Prevent unintentional starting.** Ensure the switch is in the off-position before connecting to power source and/or battery pack, picking up or carrying the tool. Carrying power tools with your finger on the switch or energising power tools that have the switch on invites accidents.

• It is necessary to provide an adequate air change rate (acr) in the room if exhaust air is returned to the room. Refer to local regulations as applicable.

• If the appliance is to be stored unused for a long period, the batteries should be removed.

• Before use, operators shall be provided with information, instruction and training for the use of the machine and the substances for which it is to be used, including the safe method of removal and disposal of the material collected.

### VACUUM USE AND CARE

• **Do not use without dust canister and/or filter in place.**

• **Do not use to pick up flammable or combustible liquids** such as gasoline or use in areas where they may be present.

• **Do not pick up anything that is burning or smoking** such as cigarettes, matches, or hot ashes.

• **Do not pick up soot, cement, plaster or drywall dust without filter in place.** These are very fine particles that may affect the performance of the motor or be exhausted back into the air.

• **This product is suitable for collection of silica dust** when used in accordance with these instructions. To reduce the risk of health hazards from other vapours or dust, do not vacuum carcinogenic, toxic or hazardous materials such as asbestos, arsenic, barium, beryllium, lead, pesticides or other health endangered materials.

• **Use special care when emptying heavily loaded tanks.**

• **To avoid spontaneous combustion, empty dust box after each use.**

• **Do not leave vacuum unattended when battery pack is installed.** Remove battery pack when not in use and before servicing.

• **Do not put any object into openings.** Do not use with any opening blocked; keep free of dust, lint, hair, and anything else that may reduce air flow.

• **Maintain vacuum. Check for misalignment or binding of moving parts, breakage of parts and any other condition that may affect the vacuum's operation.** If damaged, have the vacuum repaired before use. Many accidents are caused by poorly maintained tools.

• **Maintain labels and nameplates.** These carry important information. If unreadable or missing, contact a MILWAUKEE® service facility for a replacement.

## BATTERY TOOL USE AND CARE

- **Recharge only with the charger specified by the manufacturer.** A charger that is suitable for one type of battery pack may create a risk of fire when used with another battery pack.
- **Use power tools only with specifically designated battery packs.** Use of any other battery packs may create a risk of injury and fire.
- **When battery pack is not in use, keep it away from other metal objects, like paper clips, coins, keys, nails, screws or other small metal objects, that can make a connection from one terminal to another.** Shorting the battery terminals together may cause burns or a fire.
- **Under abusive conditions, liquid may be ejected from the battery; avoid contact. If contact accidentally occurs, flush with water. If liquid contacts eyes, additionally seek medical help.** Liquid ejected from the battery may cause irritation or burns.
- **Do not use a battery pack or tool that is damaged or modified.** Damaged or modified batteries may exhibit unpredictable behaviour resulting in fire, explosion or risk of injury.
- **Do not expose a battery pack or tool to fire or excessive temperature.** Exposure to fire or temperature above 130°C (265°F) may cause explosion.
- Exhausted batteries are to be removed from the appliance and safely disposed of.
- **Follow all charging instructions and do not charge the battery pack or tool outside the temperature range specified in the instructions.** Charging improperly or at temperatures outside the specified range may damage the battery and increase the risk of fire.

## SERVICE

- **Have your power tool serviced by a qualified repair person using only identical replacement parts.** This will ensure that the safety of the product is maintained.
- For user servicing, the machine shall be dismantled, cleaned and serviced, as far as reasonably practicable, without causing risk to the maintenance staff and others. Suitable precautions include decontamination before dismantling, provision for local filtered exhaust ventilation where the machine is dismantled, cleaning of the maintenance area and suitable personal protection.
- The manufacturer or an instructed person shall perform a technical inspection at least annually, consisting of, for example, inspection of filters for damage, air tightness of the machine and proper function of the control mechanism.
- When carrying out service or repair operations, all contaminated items which cannot be satisfactorily cleaned are to be disposed of; such items shall be disposed of in impervious bags in accordance with any local current regulations for the disposal of such waste.

## SPECIFIC SAFETY RULES FOR COMPACT VACUUM

- **Never use vacuum without dust canister and filter in place.**
- **Wear ear protectors.** Exposure to noise can cause hearing loss.
- The product is intended for commercial use, for example in hotels, schools, hospitals, factories, shops, offices and rental businesses.

**WARNING** To reduce the risk of injury, when working in dusty situations, wear appropriate respiratory protection or use a suitable dust extraction solution.

• **Always use common sense and be cautious when using tools.** It is not possible to anticipate every situation that could result in a dangerous outcome. Do not use this tool if you do not understand these operating instructions or you feel the work is beyond your capability; contact MILWAUKEE® Tool or a trained professional for additional information or training.

**WARNING** Some dust created by power sanding, sawing, grinding, drilling, and other construction activities contains chemicals known to cause cancer, birth defects or other reproductive harm. Some examples of these chemicals are:

- lead from lead-based paint
- crystalline silica from bricks and cement and other masonry products, and
- arsenic and chromium from chemically-treated lumber.

Your risk from these exposures varies, depending on how often you do this type of work. To reduce your exposure to these chemicals: work in a well ventilated area, and work with approved safety equipment, such as those dust masks that are specially designed to filter out microscopic particles.

**READ AND SAVE ALL INSTRUCTIONS FOR FUTURE USE FOR HOUSEHOLD OR COMMERCIAL USE.**

## ADDITIONAL BATTERY SAFETY RULES

**WARNING** To reduce the risk of fire, personal injury, and product damage due to a short circuit, never immerse your tool, battery pack or charger in fluid or allow a fluid to flow inside them. Corrosive or conductive fluids, such as seawater, certain industrial chemicals, and bleach or bleach-containing products, etc., can cause a short circuit.

## SYMBOLLOGY



Volts



Wattage



Direct Current



Read operator's manual



Filter Cover



Cyclone Chamber



Class III appliance



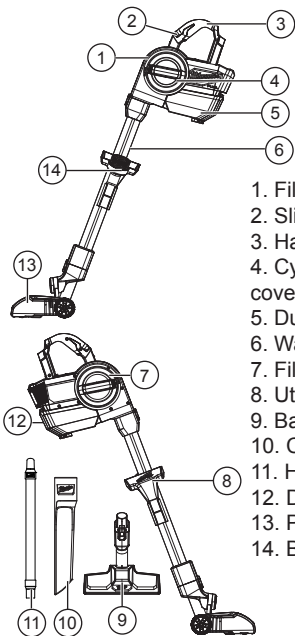
Dust class

Do not dispose of electric tools together with household waste material. Electric tools and electronic equipment that have reached the end of their life must be collected separately and returned to an environmentally compatible recycling facility.



Regulatory Compliance Mark (RCM). This product meets applicable regulatory requirements.

## FUNCTIONAL DESCRIPTION



1. Filter indicator light
2. Slide switch
3. Handle
4. Cyclone chamber cover
5. Dust canister
6. Wand
7. Filter cover
8. Utility tool
9. Bare floor tool
10. Crevice tool
11. Hose
12. Dust canister lid
13. Powered floor tool
14. Brush tool

## SPECIFICATIONS

Cat. No. ....	M18 FCVL
Volts.....	18V DC
Battery Type.....	M18™
Charger Type.....	M18™
Max Air Flow.....	764 L/min (45.84 m³/h, 27 CFM)
Max Suction.....	184mbar (184hPa, 74 inH2O)
Capacity.....	0.95 L
Recommended Ambient Operating Temperature.....	-17°C to 51°C
Weight (with Powered Floor Tool) .....	3.2 kg
Dust class.....	L
Sound pressure level L <sub>pA</sub> .....	68 dB (A)
Uncertainty K.....	2 dB (A)
Sound power level L <sub>WA</sub> .....	82.5 dB (A)
Uncertainty K.....	2 dB (A)
Vibration emission level.....	0.4 m/s <sup>2</sup>
Uncertainty K.....	0.5 m/s <sup>2</sup>

## ASSEMBLY

**WARNING** Recharge only with the charger specified for the battery. For specific charging instructions, read the operator's manual supplied with your charger and battery.

### Removing/Inserting the Battery

To remove the battery, push in the release buttons and pull the battery pack away from the tool.

**WARNING** Always remove battery pack before changing or removing accessories.

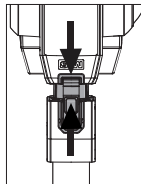
To insert the battery, slide the pack into the body of the tool. Make sure it latches securely into place.

**WARNING** Only use accessories specifically recommended for the product. Others may be hazardous.

### Installing/Removing the Accessories

To install the nozzles, hoses or extensions, push the accessory onto the vacuum inlet. All accessories may be used with or without the extension wand.

To attach the extension wand, press lever down and slide the extension tube onto the vacuum until it clicks.



## OPERATION

**WARNING** To reduce the risk of injury, always wear proper eye protection marked to comply with AS/NZS 1337.1.

When working in dusty situations, wear appropriate respiratory protection or use a suitable dust extraction solution.

To reduce the risk of fire and injury, do not use to pick up flammable or combustible materials. Empty dust canister before use.

### Starting, Stopping, and Controlling Air Flow

To start the vacuum, push the slide switch to desired speed. Level one is low speed. Level two is high speed. To stop the vacuum, push the slide switch to zero.

## Filter Indicator Light

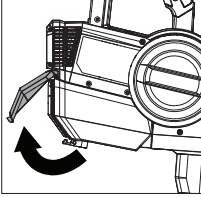
The filter indicator light will remain off during normal tool use. The filter indicator light will turn red when the filter needs changing or the tool is overheating. Stop using tool and replace the filter.

**⚠WARNING** To reduce the risk of injury, always remove the battery pack before removing the dust canister. Do not use tool without dust canister and filter in place.

## Emptying the Dust Canister

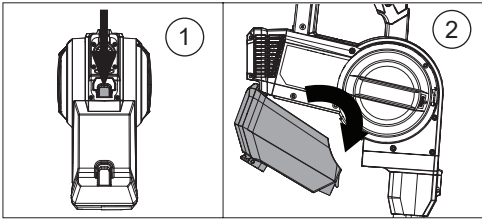
To empty the dust canister:

1. Turn OFF the tool.
2. Remove the battery pack.
3. While holding over the trash, unlatch the dust canister. Empty dust from the canister. Tap the vacuum gently to dislodge any remaining dust.



To remove the dust canister:

1. Press the dust canister unHINGE button.
2. UnHINGE the canister by pulling the canister down and away from the vacuum.



3. Remove the dust canister and empty any remaining debris from the canister.

## MAINTENANCE

**⚠WARNING** To reduce the risk of injury, always unplug the charger and remove the battery pack from the charger or tool before performing any maintenance. Never disassemble the tool, battery pack or charger. Contact a MILWAUKEE® service facility for ALL repairs.

## Maintaining Tool

Keep your tool, battery pack and charger in good repair by adopting a regular maintenance program. Inspect your tool for issues such as undue noise, misalignment or binding of moving parts, breakage of parts, or any other condition that may affect the tool operation. Return the tool, battery pack, and charger to a MILWAUKEE® service facility for repair. After six months to one year, depending on use, return the tool, battery pack and charger to a MILWAUKEE® service facility for inspection.

If the tool does not start or operate at full power with a fully charged battery pack, clean the contacts on the battery pack. If the tool still does not work properly, return the tool, charger and battery pack, to a MILWAUKEE® service facility for repairs.

**⚠WARNING** To reduce the risk of personal injury and damage, never immerse your product, battery pack or charger in liquid or allow a liquid to flow inside them.

## Cleaning

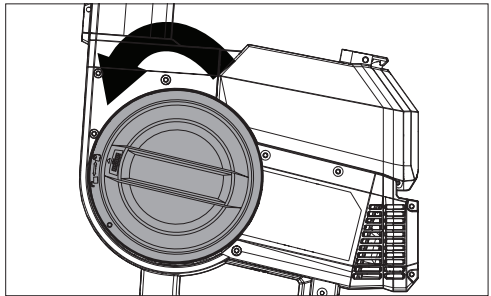
Clean dust and debris from vents. Keep handles clean, dry and free of oil or grease. Use only mild soap and a damp cloth to clean, since certain cleaning agents and solvents are harmful to plastics and other insulated parts. Some of these include gasoline, turpentine, lacquer thinner, paint thinner, chlorinated cleaning solvents, ammonia and household detergents containing ammonia. Never use flammable or combustible solvents around tools.

**⚠CAUTION** Keep filter clean. Efficiency of the vacuum is largely dependent on the filter. A dirty filter will reduce the air flow and overall efficiency of the system. Do not clean with water. Remove from tank and tap clean.

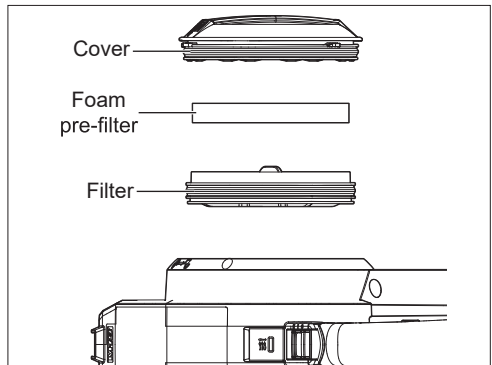
## Removing/Installing the Filter

To install the filter:

1. Remove the battery pack.
2. Twist the filter cover counterclockwise to unlock.



3. To remove, lift the cover away from the product.
4. Remove the foam pre-filter from the chamber.
5. Lift the filter from the chamber.



6. Clean the filter by twisting the filter cover counterclockwise to unlock from the canister. Pull the filter away from the vacuum and tap clean. Water may be used to clean the filter.

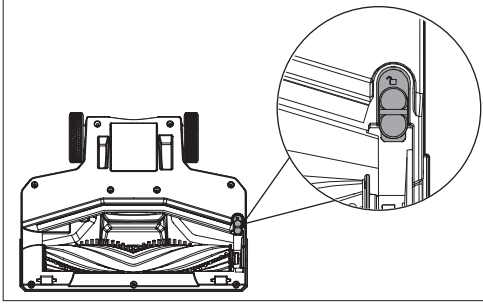
**NOTE:** If cleaning with water, let filter dry 24 hours before using with vacuum. Replace filter if damaged or suction decreases.

7. Install the new filter.
8. Place the foam pre-filter back on top of the filter.
9. Place the cover on the chamber, pressing down.
10. Twist the cover clockwise to lock.

**NOTE:** Do not operate the vacuum without the dust canister and filter in place.

### Cleaning the Brush Tool

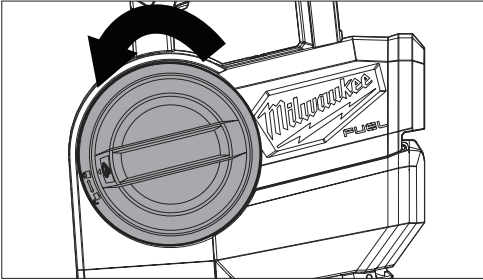
Remove the battery pack. Remove the power floor tool from the vacuum. To clean the brush tool, slide the switch down to the unlock position and lift the brush tool out to remove any excess debris.



### Cleaning the Cyclone Chamber

To clean the cyclone chamber:

1. Remove the battery pack.
2. Twist the chamber cover counterclockwise to unlock.



3. To **remove**, lift the cover away from the tool.
4. Clean chamber if clogged.
5. Place the cover on the chamber, pressing down.
6. Twist the cover clockwise to lock.

### Repairs

For repairs, return the tool, battery pack and charger to the nearest authorised service centre.

## ACCESSORIES

**WARNING** Use only recommended accessories. Others may be hazardous.

For a complete listing of accessories, go online to [milwaukeetool.com.au/](http://milwaukeetool.com.au/) [milwaukeetool.co.nz](http://milwaukeetool.co.nz) or contact a distributor.

## **WARRANTY - AUSTRALIA and NEW ZEALAND**

Please refer to Australian and New Zealand warranty supplied with tool. This warranty applies only to product sold by authorised dealers in Australia and New Zealand.

## **SERVICE - AUSTRALIA and NEW ZEALAND**

MILWAUKEE® prides itself in producing a premium quality product that is Nothing But Heavy Duty™. Your satisfaction with our products is very important to us! If you encounter any problems with the operation of this tool, please contact your authorised MILWAUKEE® dealer.

For a list of MILWAUKEE® dealers, guarantee or service agents please contact MILWAUKEE® Customer Service or visit our website.

(Australia Toll Free Telephone Number 1300 645 928)

(New Zealand Toll Free Telephone Number 0800 645 928)

or visit [milwaukeetool.com.au/milwaukeetool.co.nz](http://milwaukeetool.com.au/milwaukeetool.co.nz).

### **Milwaukee Electric Tool Corporation**

13135 West Lisbon Road, Brookfield, Wisconsin U.S.A. 53005

#### **Milwaukee Tool (Australia)**

21 Kelletts Road, Rowville, VIC 3178

Melbourne, Australia

#### **Milwaukee Tool (New Zealand)**

274 Church Street, Penrose,

Auckland, 1061, New Zealand

DESIGNED BY MILWAUKEE ELECTRIC TOOL CORP.

PROFESSIONALLY MADE IN VIETNAM

PRINTED IN CHINA

All trade marks are owned by Techtronic Cordless GP unless otherwise stated.

© 2020 Milwaukee Electric Tool Corporation.