

**Milwaukee**<sup>®</sup>

Nothing but **HEAVY DUTY**<sup>®</sup>.



## **C18 PCG**

---

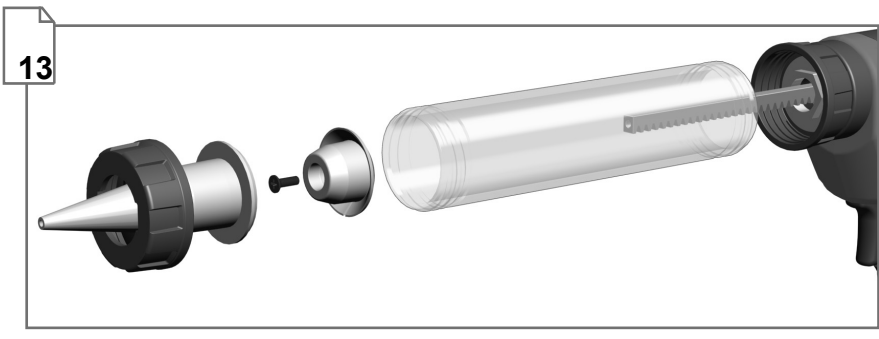
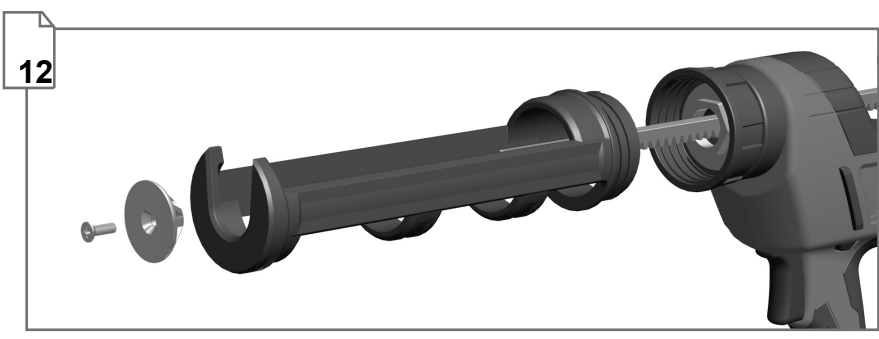
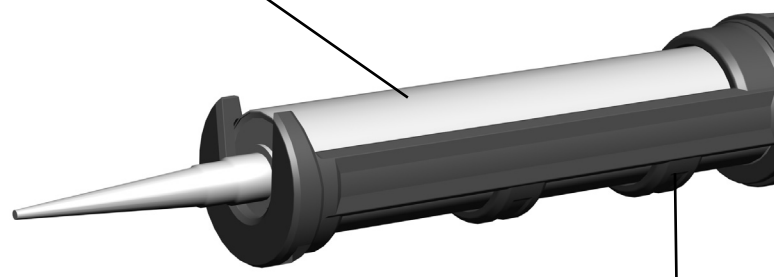
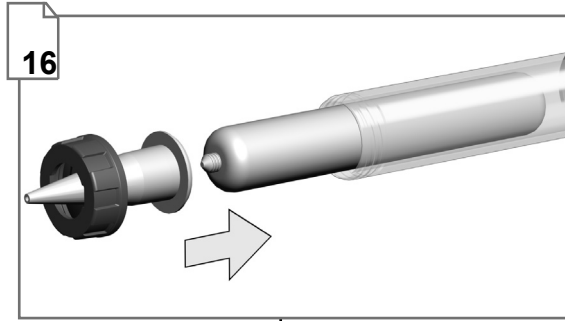
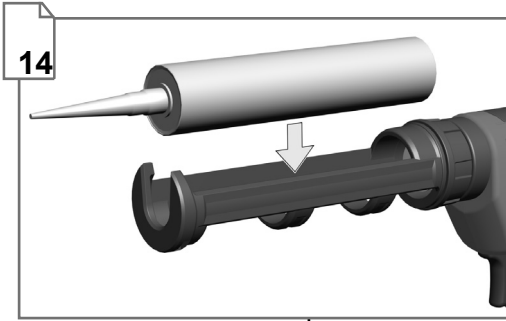
Original instructions

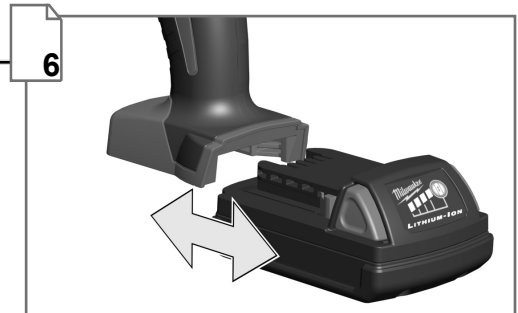
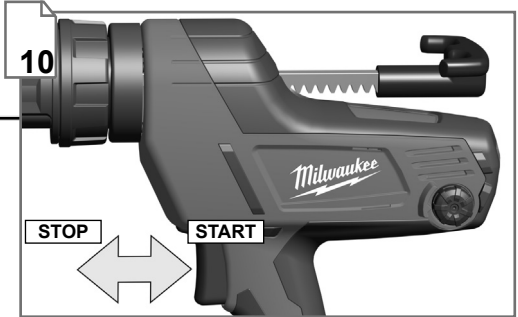
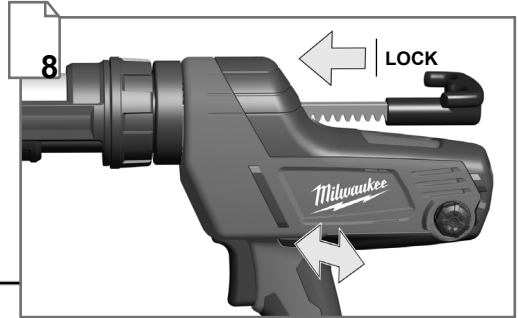


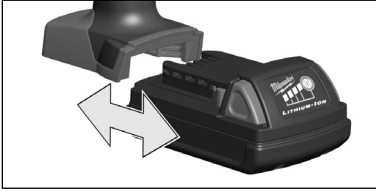
## **Important!**

It is essential that you read the instructions in this manual before assembling, maintaining and operating the product.

Subject to technical modifications.

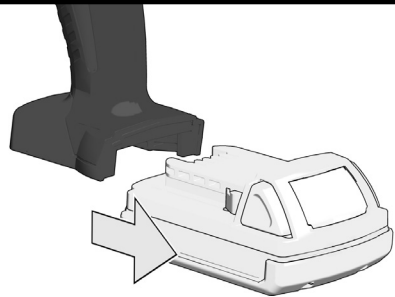






Remove the battery pack before starting any work on the machine.

**1**



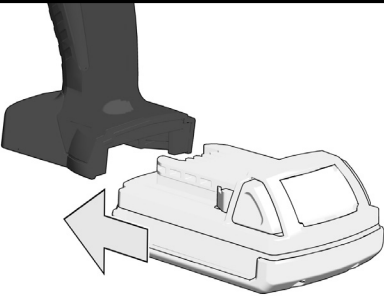
**2**

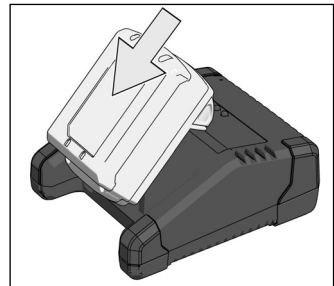
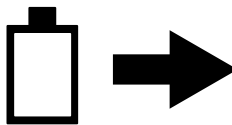
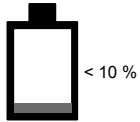
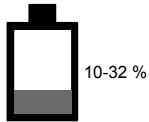
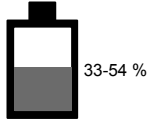
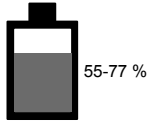
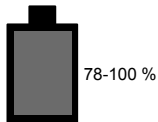
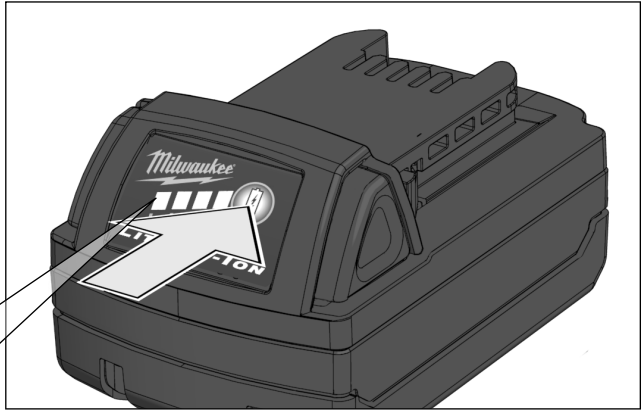


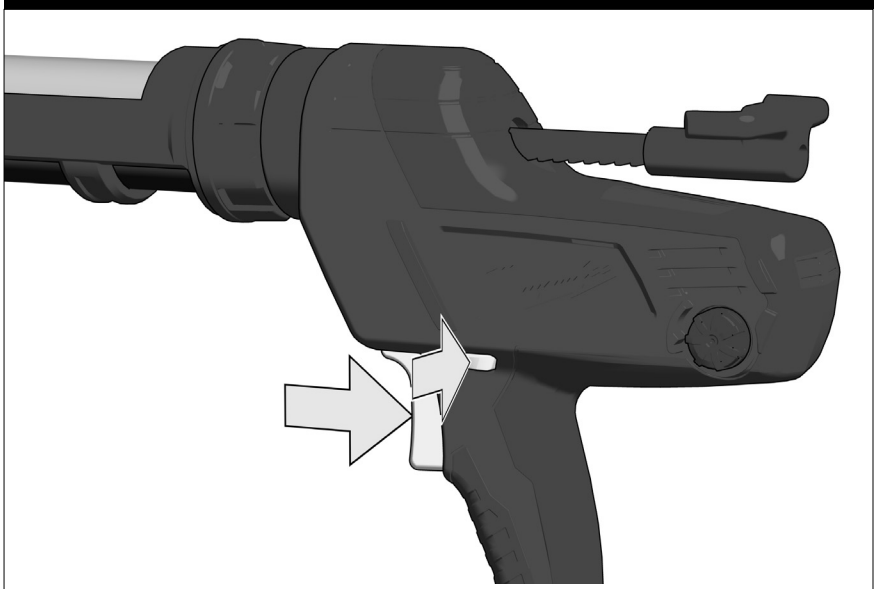
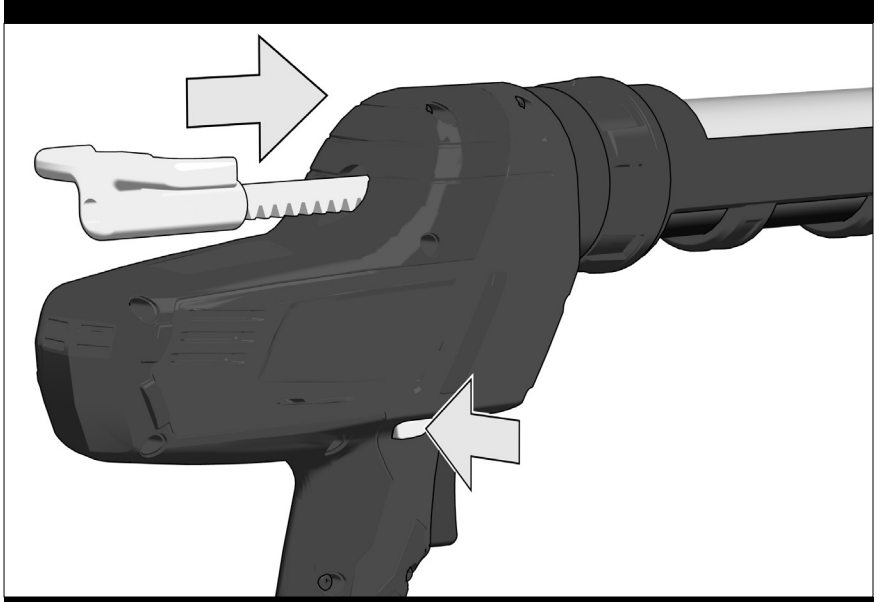
**1**



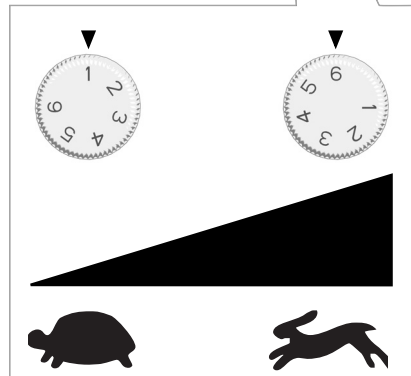
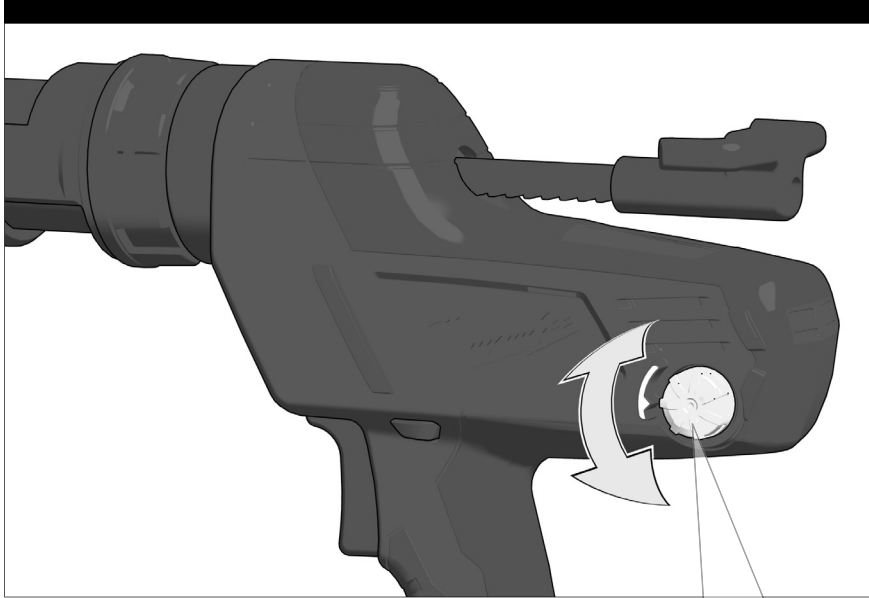
**2**





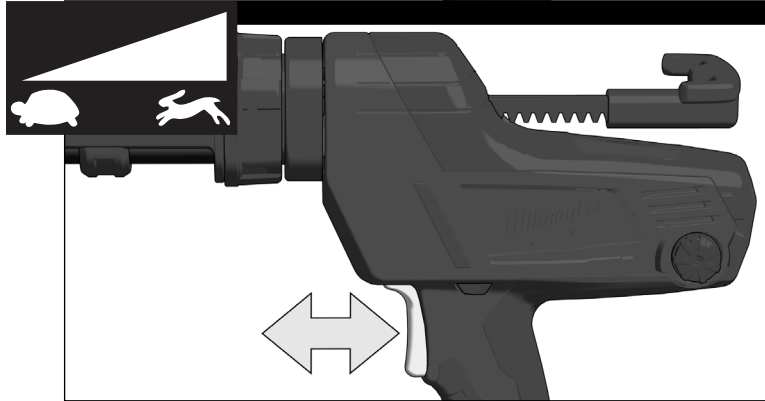
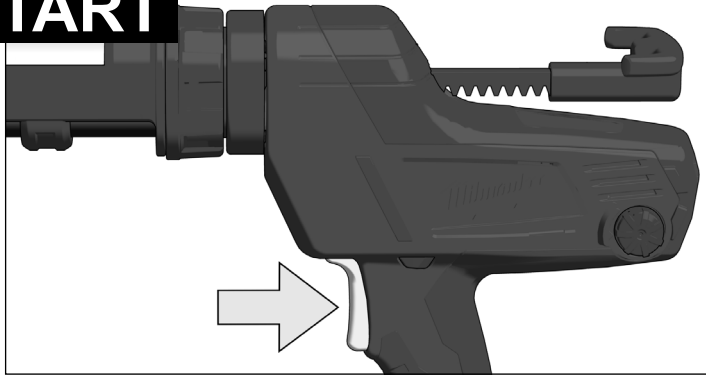




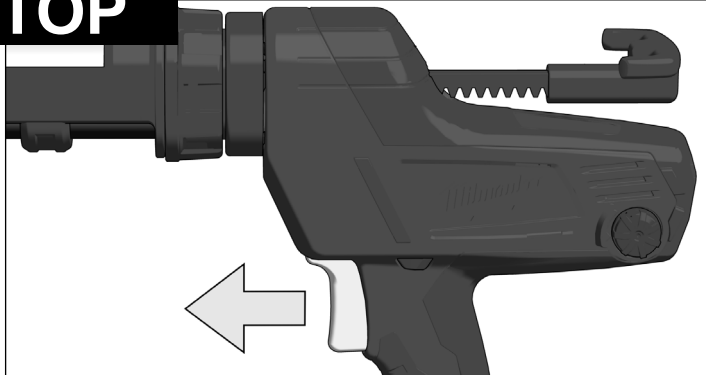




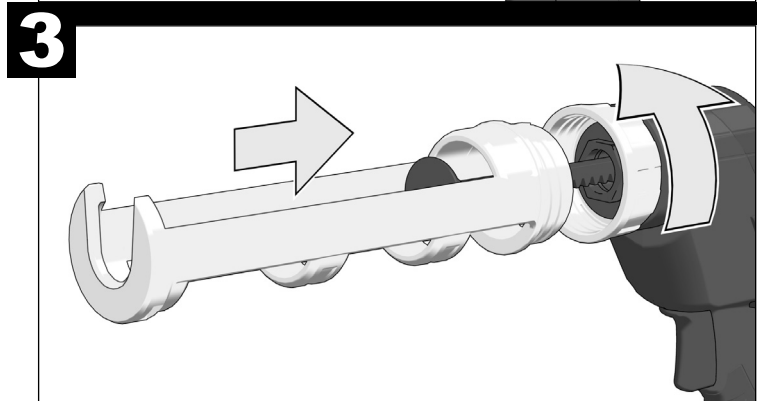
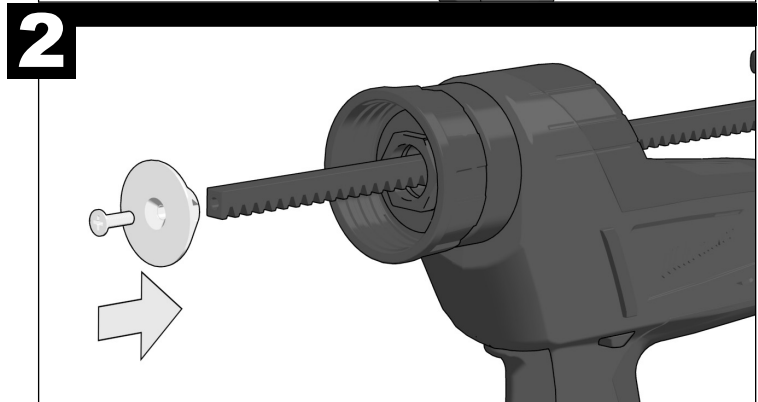
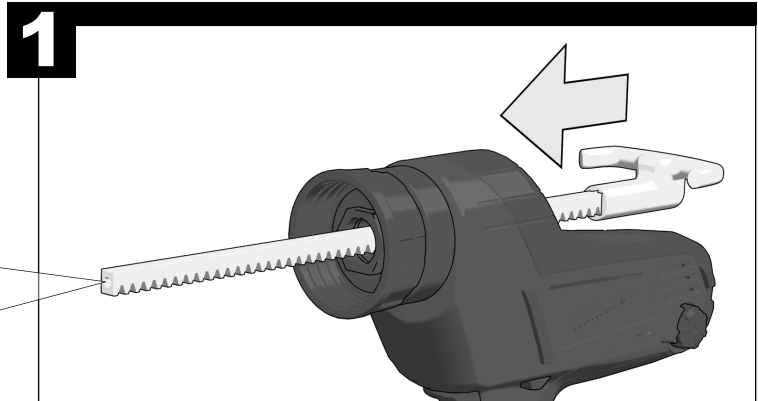
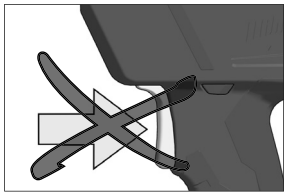
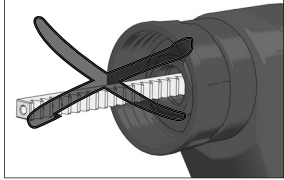
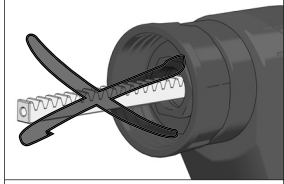
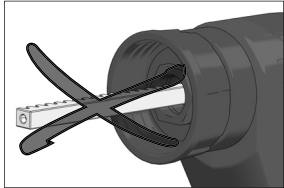
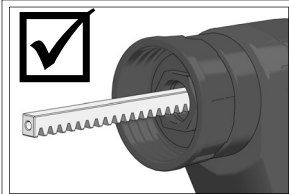
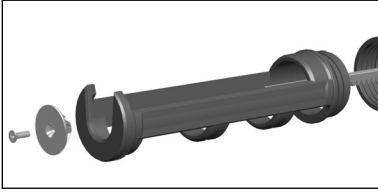
**START**

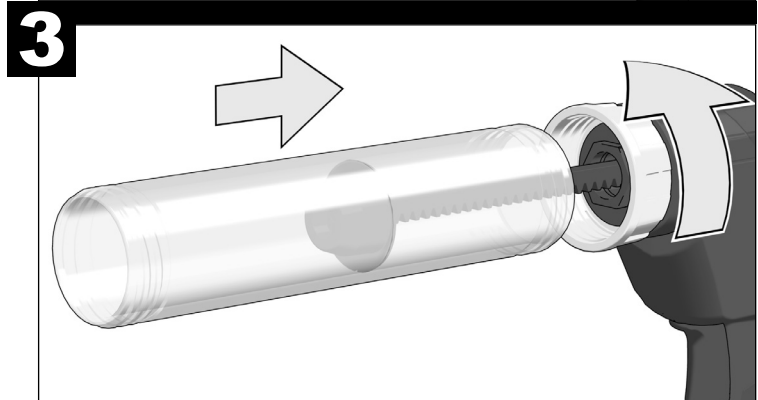
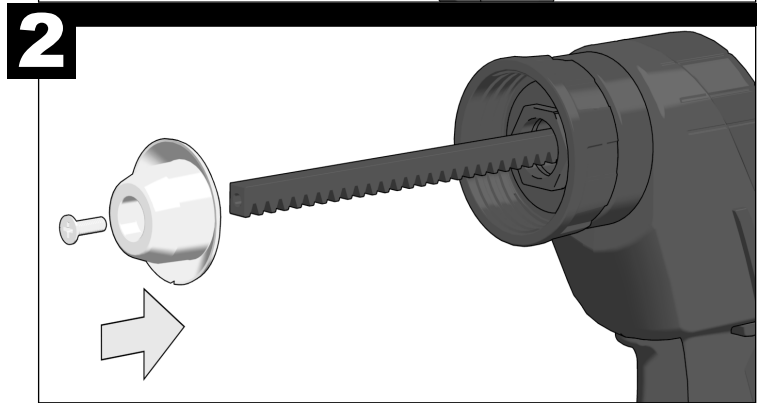
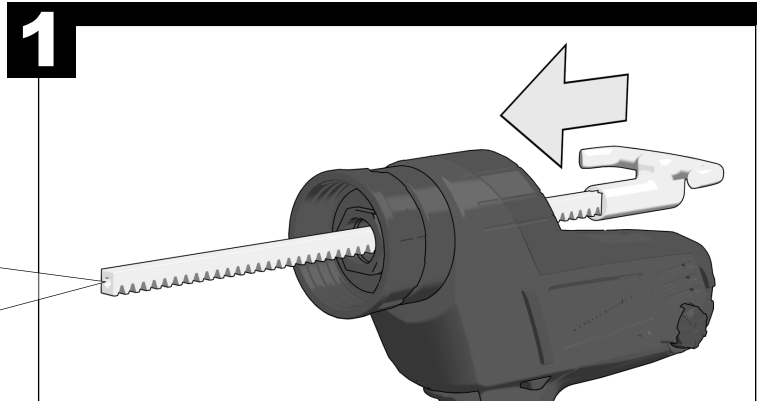
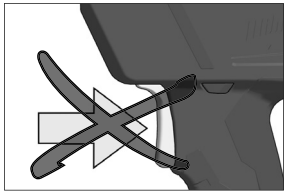
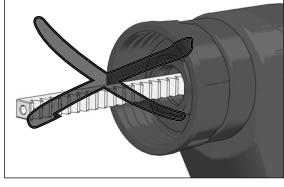
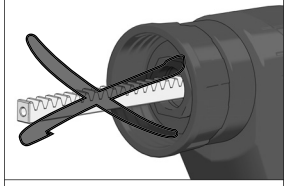
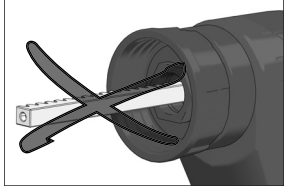
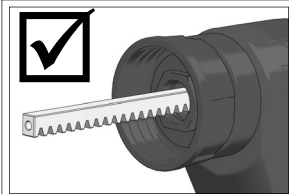
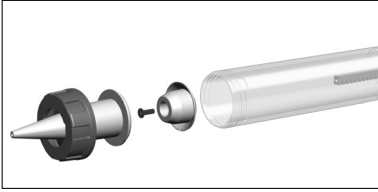


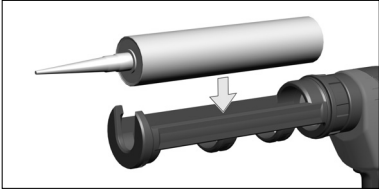
**STOP**



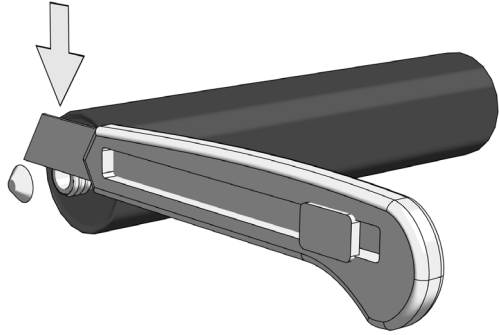
When the trigger is released, the motor will run for a short time in reverse to release the rod. This prevents a drip. When a tube is emptied, the motor will run for a short time to release the rod.



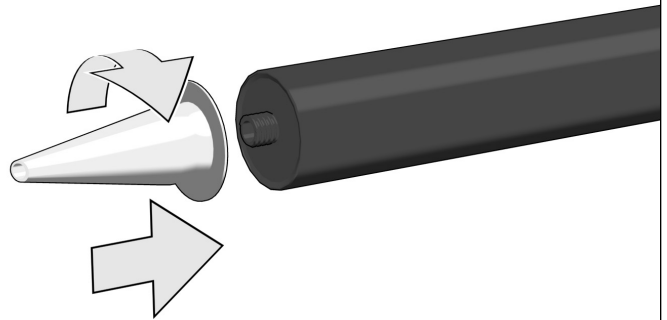




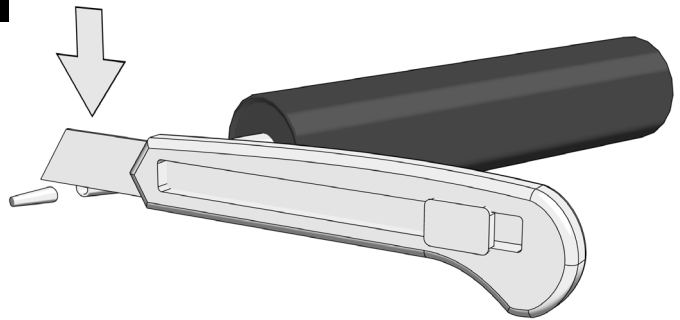
**1**

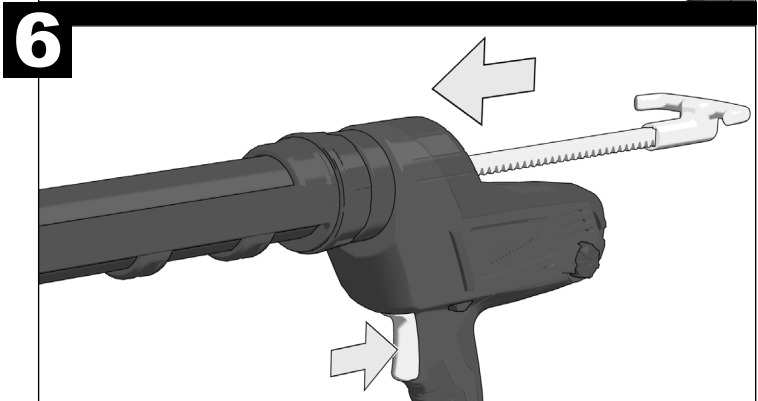
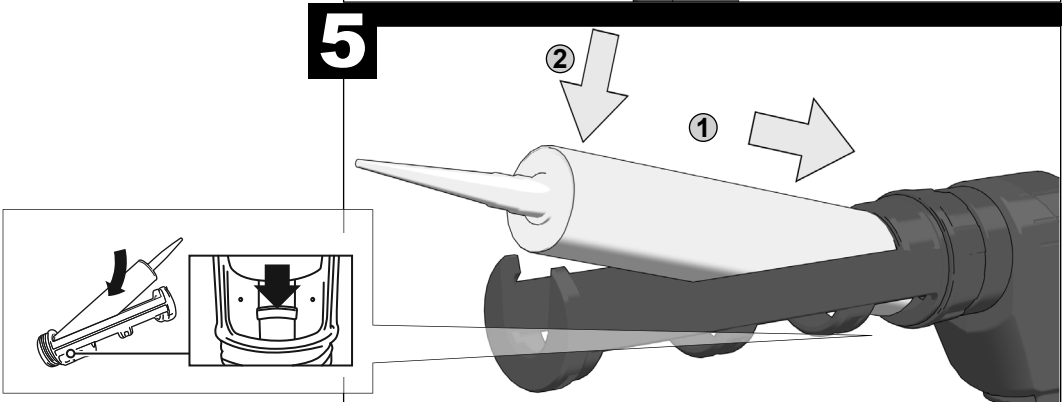
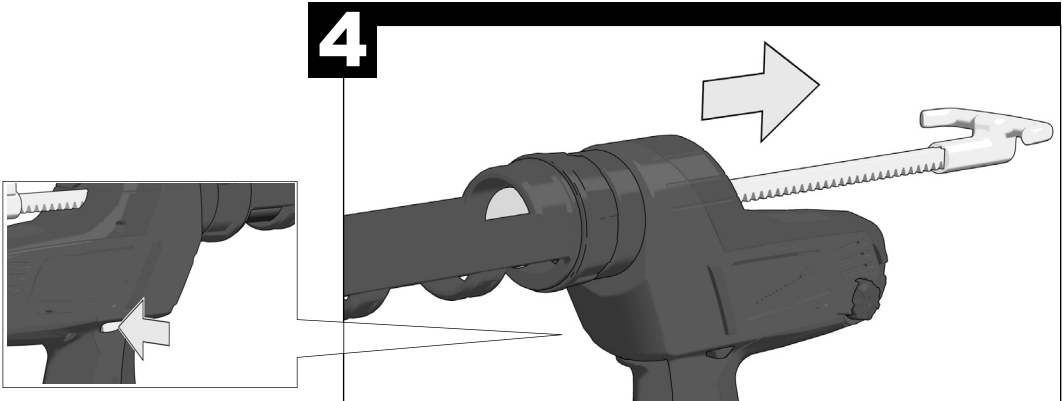


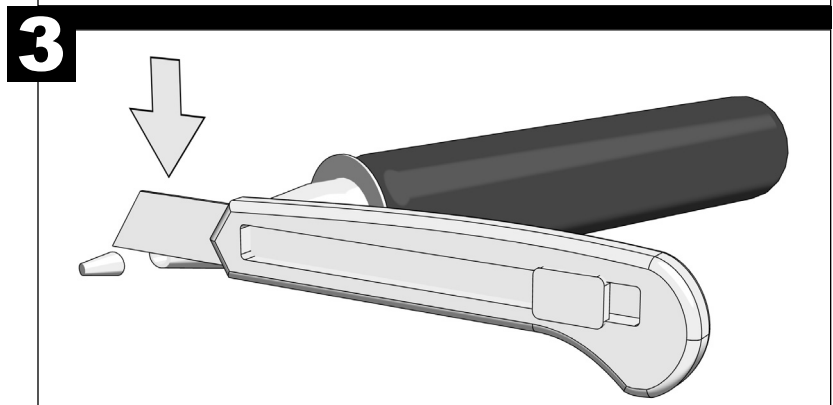
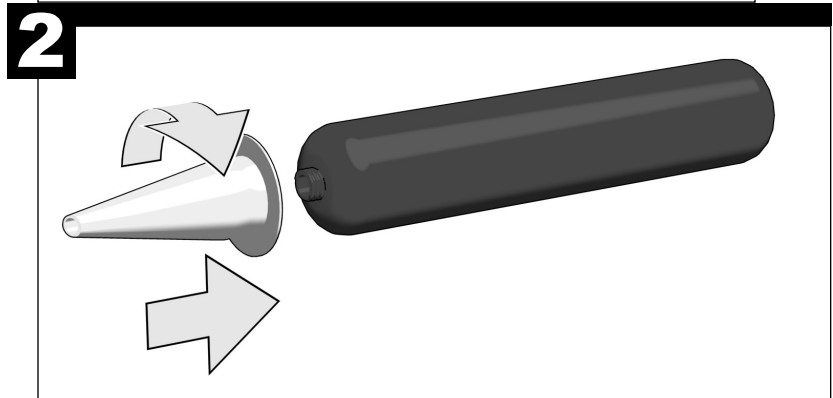
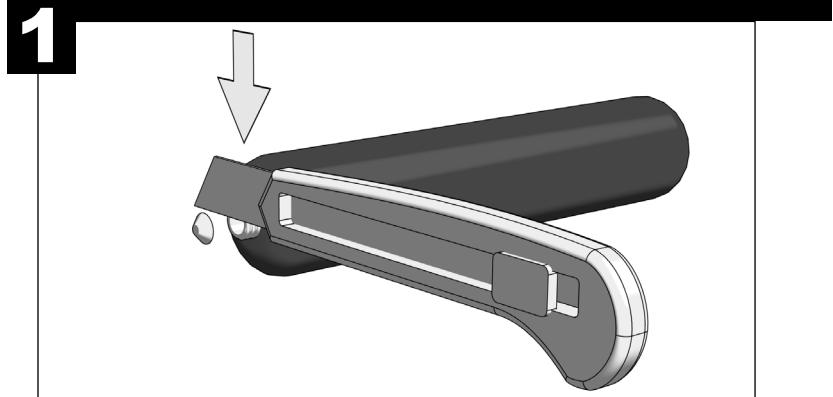
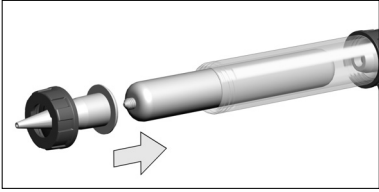
**2**



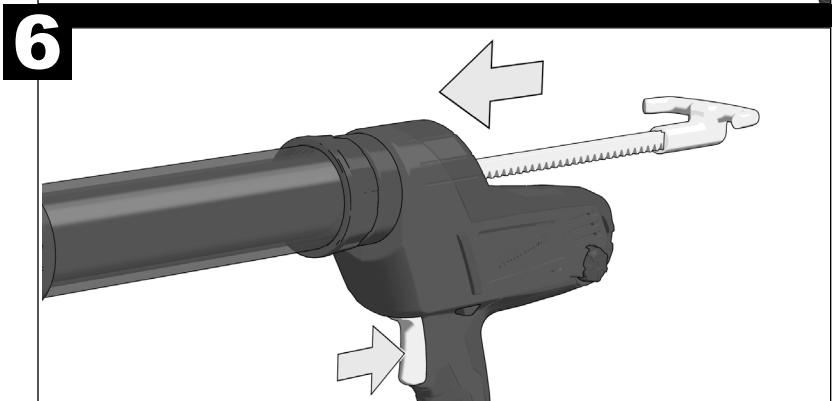
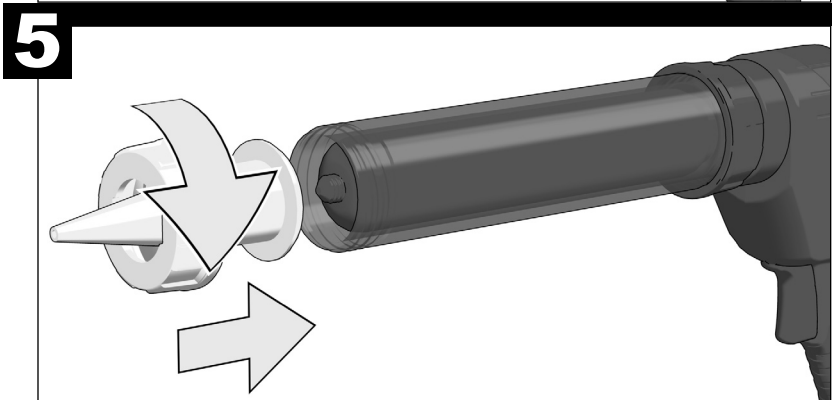
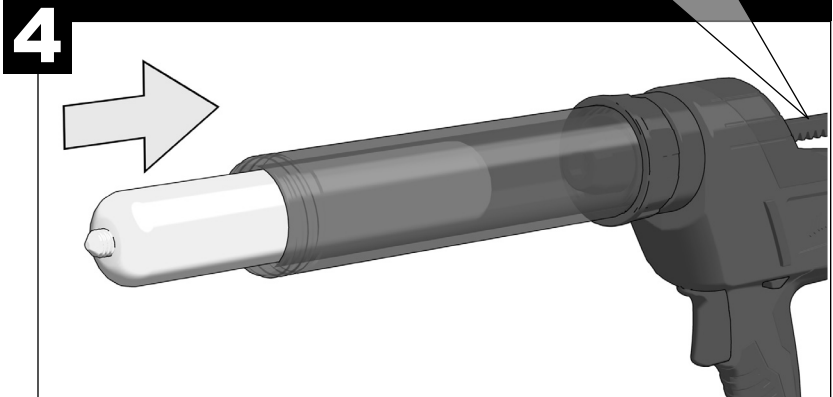
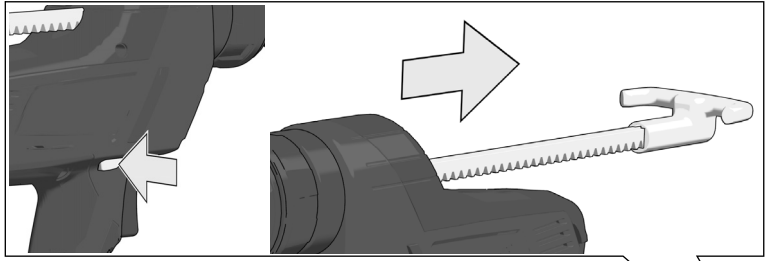
**3**











**TECHNICAL DATA****Caulking Gun****C18 PCG**

Feed force .....	4500 N
Battery voltage.....	18 V
Weight according EPTA-Procedure 01/2003 (1,5 Ah) .....	2,3 kg
Weight according EPTA-Procedure 01/2003 (3,0 Ah) .....	2,5 kg

**Noise/vibration information**

Measured values determined according to EN 60 745.

Typically, the A-weighted noise levels of the tool are:

Sound pressure level (K = 3 dB(A)) .....	68 dB (A)
Sound power level (K = 3 dB(A)).....	79 dB (A)

Total vibration values (vector sum in the three axes)

determined according to EN 60745.

Vibration emission value  $a_h$  .....

Uncertainty K= .....

**WARNING**

The vibration emission level given in this information sheet has been measured in accordance with a standardised test given in EN 60745 and may be used to compare one tool with another. It may be used for a preliminary assessment of exposure.

The declared vibration emission level represents the main applications of the tool. However if the tool is used for different applications, with different accessories or poorly maintained, the vibration emission may differ. This may significantly increase the exposure level over the total working period.

An estimation of the level of exposure to vibration should also take into account the times when the tool is switched off or when it is running but not actually doing the job. This may significantly reduce the exposure level over the total working period.

Identify additional safety measures to protect the operator from the effects of vibration such as: maintain the tool and the accessories, keep the hands warm, organisation of work patterns.

**⚠ WARNING! Read all safety warnings and all instructions, including those given in the accompanying brochure.** Failure to follow the warnings and instructions may result in electric shock, fire and/or serious injury. **Save all warnings and instructions for future reference.**

**SAFETY INSTRUCTIONS**

Read and understand the charger operator's manual packaged with your charger.

Always wear goggles when using the machine.

Remove the battery pack before starting any work on the machine.

Do not dispose of used battery packs in the household refuse or by burning them. Milwaukee Distributors offer to retrieve old batteries to protect our environment.

Do not store the battery pack together with metal objects (short circuit risk).

Use only System C18 chargers for charging System C18 battery packs. Do not use battery packs from other systems.

Never break open battery packs and chargers and store only in dry rooms. Keep dry at all times.

To reduce the risk of injury, electric shock, and damage to the tool, never immerse your tool in liquid or allow a liquid to flow inside the tool.

**SPECIFIED CONDITIONS OF USE**

The caulking gun is intended to apply tube or sausage pack caulks and adhesives to surfaces. In case of doubt, please read the caulk or adhesive manufacturers' instructions.

Do not use this product in any other way as stated for normal use.

**ADDITIONAL BATTERY SAFETY WARNINGS**

**⚠ WARNING!** To reduce the risk of fire, personal injury, and product damage due to a short circuit, never immerse your tool, battery pack or charger in fluid or allow a fluid to flow inside them. Corrosive or conductive fluids, such as seawater, certain industrial chemicals, and bleach or bleach-containing products, etc., can cause a short circuit.

**BATTERIES**

New battery packs reach full loading capacity after 4 - 5 chargings and dischargings. Battery packs which have not been used for some time should be recharged before use.

Temperatures in excess of 50°C (122°F) reduce the performance of the battery pack. Avoid extended exposure to heat or sunshine (risk of overheating).

The contacts of chargers and battery packs must be kept clean.

For an optimum life-time, the battery packs have to be fully charged, after used.

To obtain the longest possible battery life remove the battery pack from the charger once it is fully charged.

For battery pack storage longer than 30 days:  
Store the battery pack where the temperature is below 27°C and away from moisture

Store the battery packs in a 30% - 50% charged condition  
Every six months of storage, charge the pack as normal.

## BATTERY PACK PROTECTION LI-ION BATTERY

The battery pack has overload protection that protects it from being overloaded and helps to ensure long life. Under extreme stress the battery electronics switch off the machine automatically. To restart, switch the machine off and then on again. If the machine does not start up again, the battery pack may have discharged completely. In this case it must be recharged in the battery charger.

## ADVICE FOR OPERATION

### Anti-Drip and Rod Release

The caulk gun features an automatic anti-drip to prevent drips after the trigger is released. When the trigger is released, the motor will run for a short time to release the rod.

When a tube is emptied, the motor will run for a short time to release the rod, then shut off. Release the trigger and change the tube.

### Overload

When an overload occurs, the tool will reach the maximum drive force and continue to hold this maximum force until the user releases the trigger. If material is not dispensing, make sure that:

- Nozzle tip is cut
- Inner seal in the caulk tube is broken
- Hardened material is removed from the nozzle
- Caulk tube is not damaged or frozen
- Rod is free of caulk/adhesive materials

## MAINTENANCE

**CAUTION!** Carriage and rod must remain clean and free of caulk and adhesive materials. Clean off materials according to caulk/adhesive manufacturer's recommendations.

Use only **MILWAUKEE®** accessories and **MILWAUKEE®** spare parts. Should components need to be replaced which have not been described, please contact one of our **MILWAUKEE®** service agents. Please visit [www.milwaukeetools.com.au/](http://www.milwaukeetools.com.au/) [www.milwaukeetools.co.nz](http://www.milwaukeetools.co.nz) or contact our customer service centre:  
(Australia Toll Free Telephone Number 1300 645 928)  
(New Zealand Toll Free Telephone Number 0800 645 928)

## SYMBOLS



Please read the instructions carefully before starting the machine.



Always wear goggles when using the machine.



Remove the battery pack before starting any work on the machine.



Do not dispose electric tools, batteries/rechargeable batteries together with household waste material. Electric tools and batteries that have reached the end of their life must be collected separately and returned to an environmentally compatible recycling facility. Check with your local authority or retailer for recycling advice and collection point.



Regulatory Compliance mark (RCM). This product meets applicable regulatory requirements.

### **WARRANTY - AUSTRALIA and NEW ZEALAND**

Please refer to Australian and New Zealand warranty supplied with tool. This warranty applies only to product sold in Australia and New Zealand.

### **SERVICE - AUSTRALIA and NEW ZEALAND**

*MILWAUKEE*<sup>®</sup> prides itself in producing a premium quality product that is Nothing But Heavy Duty<sup>®</sup>. Your satisfaction with our products is very important to us! If you encounter any problems with the operation of this tool, please contact your authorised *MILWAUKEE*<sup>®</sup> dealer.

For a list of *MILWAUKEE*<sup>®</sup> dealers, guarantee or service agents please contact *MILWAUKEE*<sup>®</sup> Customer Service or visit our website.

(Australia Toll Free Telephone Number 1300 645 928)

(New Zealand Toll Free Telephone Number 0800 645 928)

or visit [www.milwaukeetools.com.au](http://www.milwaukeetools.com.au) / [www.milwaukeetools.co.nz](http://www.milwaukeetools.co.nz).

#### **Milwaukee Electric Tool Corporation**

13135 West Lisbon Road, Brookfield, Wisconsin U.S.A. 53005

#### **Milwaukee Tool (Australia)**

21 Kelletts Road, Rowville, VIC 3178  
Melbourne, Australia

#### **Milwaukee Tool (New Zealand)**

274 Church Street, Penrose,  
Auckland, 1061, New Zealand

Designed by Milwaukee Electric Tool Corp.

Professionally Made in China for Milwaukee Tool (Australia) / Milwaukee Tool (New Zealand)

Printed in China