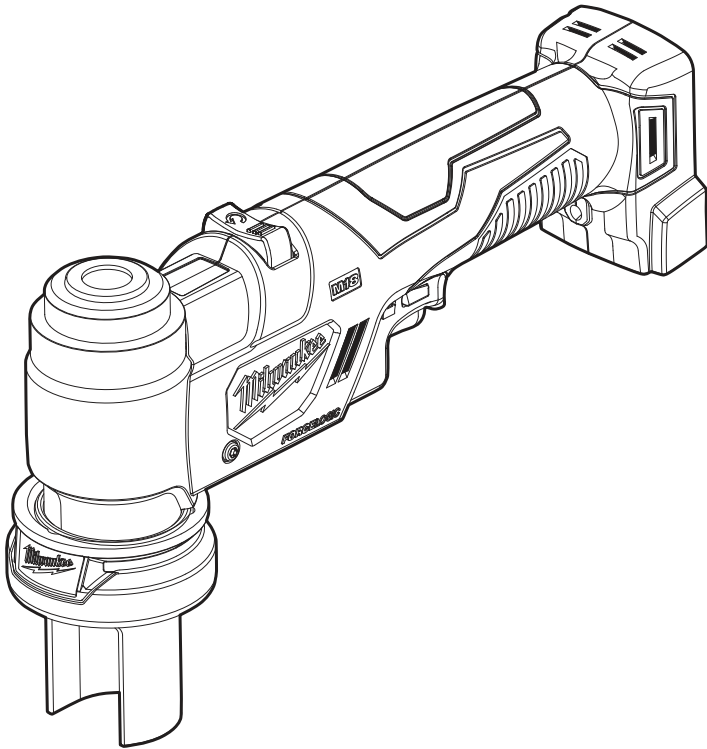




## OPERATOR'S MANUAL



Cat. No.  
**M18 HKP**

**M18™ 6-TON KNOCKOUT TOOL**

 **WARNING**

To reduce the risk of injury, user must read and understand operator's manual.



## GENERAL POWER TOOL SAFETY WARNINGS

**WARNING** Read all safety warnings, instructions, illustrations and specifications provided with this power tool. Failure to follow all instructions listed below may result in electric shock, fire and/or serious injury. **Save all warnings and instructions for future reference.** The term "power tool" in the warnings refers to your mains-operated (corded) power tool or battery-operated (cordless) power tool.

### WORK AREA SAFETY

- **Keep work area clean and well lit.** Cluttered or dark areas invite accidents.
- **Do not operate power tools in explosive atmospheres, such as in the presence of flammable liquids, gases or dust.** Power tools create sparks which may ignite the dust or fumes.
- **Keep children and bystanders away while operating a power tool.** Distractions can cause you to lose control.

### ELECTRICAL SAFETY

- **Power tool plugs must match the outlet. Never modify the plug in any way. Do not use any adapter plugs with earthed (grounded) power tools.** Unmodified plugs and matching outlets will reduce risk of electric shock.
- **Avoid body contact with earthed or grounded surfaces, such as pipes, radiators, ranges and refrigerators.** There is an increased risk of electric shock if your body is earthed or grounded.
- **Do not expose power tools to rain or wet conditions.** Water entering a power tool will increase the risk of electric shock.
- **Do not abuse the cord. Never use the cord for carrying, pulling or unplugging the power tool. Keep cord away from heat, oil, sharp edges or moving parts.** Damaged or entangled cords increase the risk of electric shock.
- **When operating a power tool outdoors, use an extension cord suitable for outdoor use.** Use of a cord suitable for outdoor use reduces the risk of electric shock.
- **If operating a power tool in a damp location is unavoidable, use a ground fault circuit interrupter (GFCI) protected supply.** Use of an GFCI reduces the risk of electric shock.

### PERSONAL SAFETY

- **Stay alert, watch what you are doing and use common sense when operating a power tool. Do not use a power tool while you are tired or under the influence of drugs, alcohol or medication.** A moment of inattention while operating power tools may result in serious personal injury.
- **Use personal protective equipment. Always wear eye protection.** Protective equipment such as a dust mask, non-skid safety shoes, hard hat or hearing protection used for appropriate conditions will reduce personal injuries.
- **Prevent unintentional starting. Ensure the switch is in the off-position before connecting to power source and/or battery pack, picking up or carrying the tool.** Carrying power tools with your finger on the switch or energising power tools that have the switch on invites accidents.
- **Remove any adjusting key or wrench before turning the power tool on.** A wrench or a key left attached to a rotating part of the power tool may result in personal injury.

- **Do not overreach. Keep proper footing and balance at all times.** This enables better control of the power tool in unexpected situations.
- **Dress properly. Do not wear loose clothing or jewelry. Keep your hair and clothing away from moving parts.** Loose clothes, jewelry or long hair can be caught in moving parts.
- **If devices are provided for the connection of dust extraction and collection facilities, ensure these are connected and properly used.** Use of dust collection can reduce dust-related hazards.
- **Do not let familiarity gained from frequent use of tools allow you to become complacent and ignore tool safety principles.** A careless action can cause severe injury within a fraction of a second.

### POWER TOOL USE AND CARE

- **Do not force the power tool. Use the correct power tool for your application.** The correct power tool will do the job better and safer at the rate for which it was designed.
- **Do not use the power tool if the switch does not turn it on and off.** Any power tool that cannot be controlled with the switch is dangerous and must be repaired.
- **Disconnect the plug from the power source and/or remove the battery pack, if detachable, from the power tool before making any adjustments, changing accessories, or storing power tools.** Such preventive safety measures reduce the risk of starting the power tool accidentally.
- **Store idle power tools out of the reach of children and do not allow persons unfamiliar with the power tool or these instructions to operate the power tool.** Power tools are dangerous in the hands of untrained users.
- **Maintain power tools and accessories. Check for misalignment or binding of moving parts, breakage of parts and any other condition that may affect the power tool's operation. If damaged, have the power tool repaired before use.** Many accidents are caused by poorly maintained power tools.
- **Keep cutting tools sharp and clean.** Properly maintained cutting tools with sharp cutting edges are less likely to bind and are easier to control.
- **Use the power tool, accessories and tool bits etc. in accordance with these instructions, taking into account the working conditions and the work to be performed.** Use of the power tool for operations different from those intended could result in a hazardous situation.
- **Keep handles and grasping surfaces dry, clean and free from oil and grease.** Slippery handles and grasping surfaces do not allow for safe handling and control of the tool in unexpected situations.

### BATTERY TOOL USE AND CARE

- **Recharge only with the charger specified by the manufacturer.** A charger that is suitable for one type of battery pack may create a risk of fire when used with another battery pack.
- **Use power tools only with specifically designated battery packs.** Use of any other battery packs may create a risk of injury and fire.
- **When battery pack is not in use, keep it away from other metal objects, like paper clips, coins, keys, nails, screws or other small metal objects, that can make a connection from one terminal to another.** Shorting the battery terminals together may cause burns or a fire.

- Under abusive conditions, liquid may be ejected from the battery; avoid contact. If contact accidentally occurs, flush with water. If liquid contacts eyes, additionally seek medical help. Liquid ejected from the battery may cause irritation or burns.
- Do not use a battery pack or tool that is damaged or modified. Damaged or modified batteries may exhibit unpredictable behavior resulting in fire, explosion or risk of injury.
- Do not expose a battery pack or tool to fire or excessive temperature. Exposure to fire or temperature above 130°C (265°F) may cause explosion.
- Follow all charging instructions and do not charge the battery pack or tool outside the temperature range specified in the instructions. Charging improperly or at temperatures outside the specified range may damage the battery and increase the risk of fire.

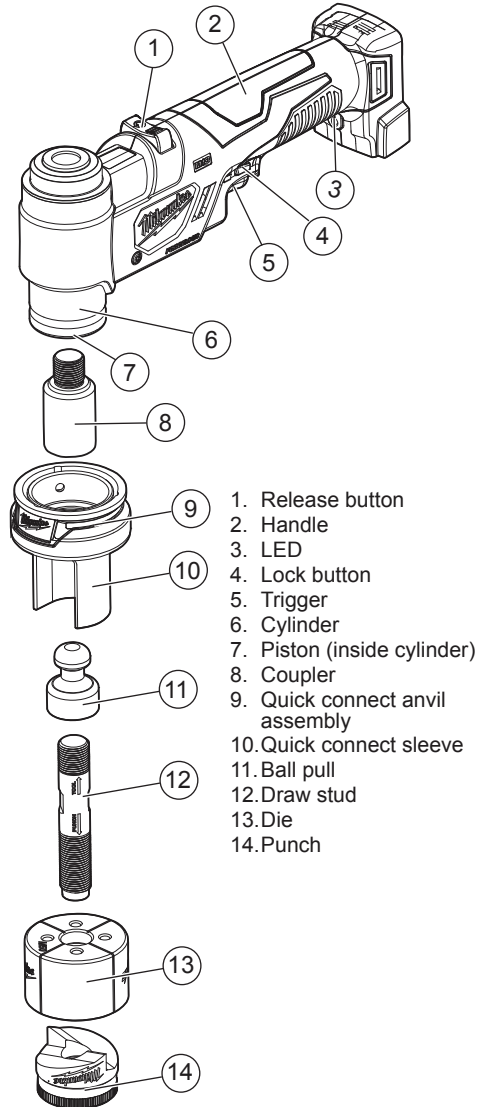
### SERVICE

- Have your power tool serviced by a qualified repair person using only identical replacement parts. This will ensure that the safety of the power tool is maintained.
- Never service damaged battery packs. Service of battery packs should only be performed by the manufacturer or authorised service providers.

### SPECIFIC SAFETY RULES FOR KNOCKOUT TOOL

- Use tool only as directed. Only trained personnel should operate tool.
- Do not use in or near live electrical panels. Only work on de-energised electrical panels. Disconnect all electrical current before use to avoid the risk of electric shock.
- Keep hands away from knockout die and punch while tool is in use. Fingers could be crushed or severed.
- To reduce the risk of injury, wear safety goggles or glasses with side shields. Before use, inspect and discard workpieces and accessories with cracks or damage. Shards from weakened metal could cause injury.
- Avoid contact with punched metal edges. Edges may be sharp and could cause injury.
- Do not attempt to punch through more than one layer of material at a time. Punching through multiple layers could cause the material and accessories to warp break, throwing shards that could cause injury.
- Use tool only with knockout dies and punches rated for the peak output force of this tool. Other uses may cause injury or damage to the tool, accessories, and workpiece.
- Maintain labels and nameplates. These carry important information. If unreadable or missing, contact a MILWAUKEE® service facility for a replacement.
- AWARNING** Some dust created by power sanding, sawing, grinding, drilling, and other construction activities contains chemicals known to cause cancer, birth defects or other reproductive harm. Some examples of these chemicals are:
  - lead from lead-based paint
  - crystalline silica from bricks and cement and other masonry products, and
  - arsenic and chromium from chemically-treated lumber.
 Your risk from these exposures varies, depending on how often you do this type of work. To reduce your exposure to these chemicals: work in a well ventilated area, and work with approved safety equipment, such as those dust masks that are specially designed to filter out microscopic particles.

### FUNCTIONAL DESCRIPTION










1. Release button
2. Handle
3. LED
4. Lock button
5. Trigger
6. Cylinder
7. Piston (inside cylinder)
8. Coupler
9. Quick connect anvil assembly
10. Quick connect sleeve
11. Ball pull
12. Draw stud
13. Die
14. Punch

### SPECIFICATIONS

Cat. No. ....	M18HKP-0
Volts .....	18 DC
Battery Type .....	M18™
Charger Type .....	M18™
Peak Output Force .....	6.7 Tons
Material Capacities .....	
50mm (2") Conduit.....	3.4 mm (10 ga) Mild Steel
101mm (4") Conduit.....	2.66 mm (12 ga) Mild Steel
50mm (2") Conduit.....	2.78 mm (12 ga) Stainless Steel
76mm (3") Conduit.....	1.98 mm (14 ga) Stainless Steel

## SYMBOLOLOGY

-  Volts
-  Direct Current
-  **▲WARNING** Risk of electric shock. Do not use in or near live electrical panels.
-  **▲WARNING** Keep hands away from punch and die. Fingers could be crushed or severed.
-  Release button
-  Always wear eye protection
-  Read Operator's Manual

## ASSEMBLY

**▲WARNING** Recharge only with the charger specified for the battery. For specific charging instructions, read the operator's manual supplied with your charger and battery.

### Inserting/Removing the Battery

To **remove** the battery, push in the release buttons and pull the battery pack away from the tool.

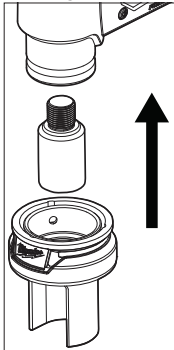
To **insert** the battery, slide the pack into the body of the tool. Make sure it latches securely into place.

**▲WARNING** Always remove battery pack before changing or removing accessories. Only use accessories specifically recommended for this tool. Others may be hazardous.

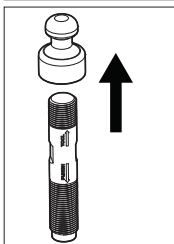
### Installing/Removing the Quick Connect Assembly

The Knockout Tool can be used with the quick connect assembly, or with the draw stud screwed directly into the tool.

1. Remove the battery pack.
2. Screw the coupler into the piston. Hand-tighten securely.
3. Place the Quick connect assembly over the collar of the tool. Pull back on the sleeve and slide over the collar. Release the sleeve.



4. Screw the draw stud into the ball pull. Hand-tighten securely.
5. To remove the quick connect assembly, reverse the procedure.



### Installing/Removing the Draw Stud

In some circumstances, such as working in tight spaces, it may be necessary to use the Knockout Tool without the quick connect assembly.

1. Remove the battery pack.
2. Remove the quick connect assembly.
3. Screw the draw stud directly into the piston. Hand tighten securely.
4. To remove the draw stud, unscrew from the piston

## OPERATION

**▲WARNING** Always remove battery pack before changing or removing accessories. Only use accessories specifically recommended for this tool. Others may be hazardous. To reduce the risk of injury, wear safety goggles or glasses with side shields.

To reduce the risk of injury, ensure all threads are hand-tightened securely before operating knockout tool.

### Punching

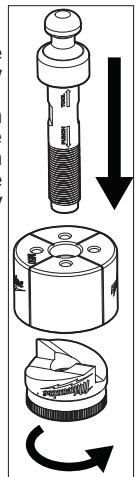
- Before beginning a punch, inspect and discard material and accessories with cracks or other damage.
- Before beginning a punch, check the fuel gauge to determine whether the battery charge is sufficient to complete the operation.
- Do not attempt to punch through more than one layer of material at a time.
- Press the release button on the tool to ensure it is ready for operation.
- After 5000 punches, return the tool to a MILWAUKEE® service facility for inspection and maintenance.

### Preparing the Material

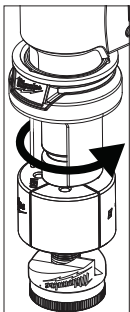
1. Select the appropriate punch, die and draw stud for the application.
2. Draw cross-hairs to mark the exact location of the pilot hole.
3. Drill the pilot hole slightly larger than the draw stud.

### Using the Quick Connect Assembly

4. Slide the draw stud through the die, then through the material.
5. Place the punch under/behind the material and screw onto the draw stud.
6. Line up cross hairs on the die with those used to locate the pilot hole on the material. Tighten the punch and die securely against each side of the material to hold the assembly in place.



7. Rotate the quick connect sleeve to access the opening in the coupler.
8. Slide the coupler around the ball pull.
9. Rotate the sleeve to lock the ball pull into the coupler.



**⚠WARNING** To reduce the risk of personal injury and damage, never immerse your tool, battery pack or charger in liquid or allow a liquid to flow inside them.

### Cleaning

Clean dust and debris from vents. Keep handles clean, dry and free of oil or grease. Use only mild soap and a damp cloth to clean, since certain cleaning agents and solvents are harmful to plastics and other insulated parts. Some of these include gasoline, turpentine, lacquer thinner, paint thinner, chlorinated cleaning solvents, ammonia and household detergents containing ammonia. Never use flammable or combustible solvents around tools.

### Repairs

For repairs, return the tool, battery pack and charger to the nearest service centre.

## ACCESSORIES

**⚠WARNING** Always remove battery pack before changing or removing accessories. Only use accessories specifically recommended for this tool. Others may be hazardous. For a complete listing of accessories, go online to [www.milwaukeeetools.com.au/](http://www.milwaukeeetools.com.au/)

or contact a local distributor.

### Punching the Material

10. Grasp the handle firmly and ensure hands and body are away from the punch and die.
11. Pull the trigger.
12. When the operation is complete, release the trigger.
13. Push the release button.
14. Rotate the quick connect sleeve and remove the ball pull from the coupler.
15. Unscrew the punch from the draw stud and remove the material. Use caution as the material edges may be sharp.

### Punching without the Quick Connect Assembly

1. Prepare the material as above.
2. Slide the draw stud through the die, then through the material.
3. Place the punch under/behind the material and screw onto the draw stud.
4. Line up cross hairs on the die with those used to locate the pilot hole on the material. Tighten the punch and die securely against each side of the material to hold the assembly in place.
5. Grasp the handle firmly and ensure hands and body are away from the punch and die.
6. Pull the trigger.
7. When the operation is complete, release the trigger.
8. Push the release button.
9. Unscrew the punch from the draw stud and remove the material. Use caution as the material edges may be sharp.

## MAINTENANCE

**⚠WARNING** To reduce the risk of injury, always unplug the charger and remove the battery pack from the charger or tool before performing any maintenance. Never disassemble the tool, battery pack or charger. Contact a MILWAUKEE® service facility for ALL repairs.

### Maintaining Tool

Keep your tool, battery pack and charger in good repair by adopting a regular maintenance program. After six months to one year, depending on use, return the tool, battery pack and charger to a MILWAUKEE® service facility for:

- Lubrication
  - Mechanical inspection and cleaning (gears, spindles, bearings, housing, etc.)
  - Electrical inspection (battery pack, charger, motor)
- Testing to assure proper mechanical and electrical operation

If the tool does not start or operate at full power with a fully charged battery pack, clean the contacts on the battery pack. If the tool still does not work properly, return the tool, charger and battery pack, to a MILWAUKEE® service facility for repairs.





## **WARRANTY - AUSTRALIA and NEW ZEALAND**

Please refer to Australian and New Zealand warranty supplied with tool. This warranty applies only to product sold in Australia and New Zealand.

## **SERVICE - AUSTRALIA and NEW ZEALAND**

*MILWAUKEE*<sup>®</sup> prides itself in producing a premium quality product that is Nothing But Heavy Duty<sup>®</sup>. Your satisfaction with our products is very important to us! If you encounter any problems with the operation of this tool, please contact your authorised *MILWAUKEE*<sup>®</sup> dealer.

For a list of *MILWAUKEE*<sup>®</sup> dealers, guarantee or service agents please contact *MILWAUKEE*<sup>®</sup> Customer Service or visit our website.

(Australia Toll Free Telephone Number 1300 361 505)

(New Zealand Toll Free Telephone Number 0800 279 624)

or visit [www.milwaukeetools.com.au](http://www.milwaukeetools.com.au) / [www.milwaukeetools.co.nz](http://www.milwaukeetools.co.nz).

### **Milwaukee Electric Tool Corporation**

13135 West Lisbon Road, Brookfield, Wisconsin U.S.A. 53005

### **Milwaukee Electric Tool Corporation (Australia)**

Techtronic Industries (Australia) Pty. Ltd.

Rowville, Victoria, Australia, 3178

### **Milwaukee Electric Tool Corporation (New Zealand)**

Techtronic Industries (New Zealand) Pty. Ltd.

Mangere, Auckland, New Zealand, 2022

Professionally made in China for Milwaukee Electric Tool Corporation

961016192-01(A)